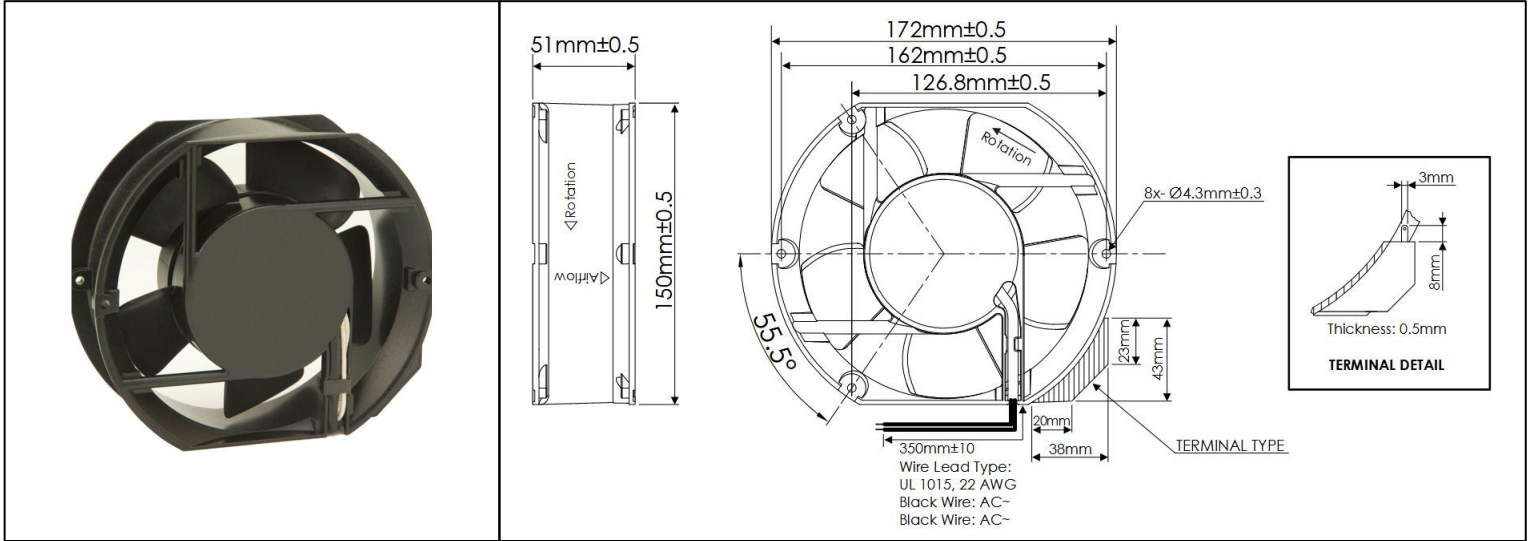


OA172EC Series



EC Fans - 115, 230V
172mm x 150mm x 51mm
(6.8" x 5.9" x 2.0")



Frame	Die Cast Aluminum, Black Finish	Operating Temperature -20°C ~ +70°C Storage Temperature -30°C ~ +75°C Life Expectancy 50,000 Hours (L10 at 40°C) Available Options PWM Speed Control Input Tachometer Output Alarm Output IP Ratings Weight: 1.54 lbs.	
Impeller	PBT, UL94 V-0 Plastic		
Connection	Wire Leads, 22 AWG, or Terminals		
Motor	EC Motor, Auto Cutoff, Auto Restart, Electronically Protected		
Bearing System	Ball Bearings		
Dielectric Strength	1500VAC/min, <1mA		
Insulation Resistance	≥10MΩ @500VAC		

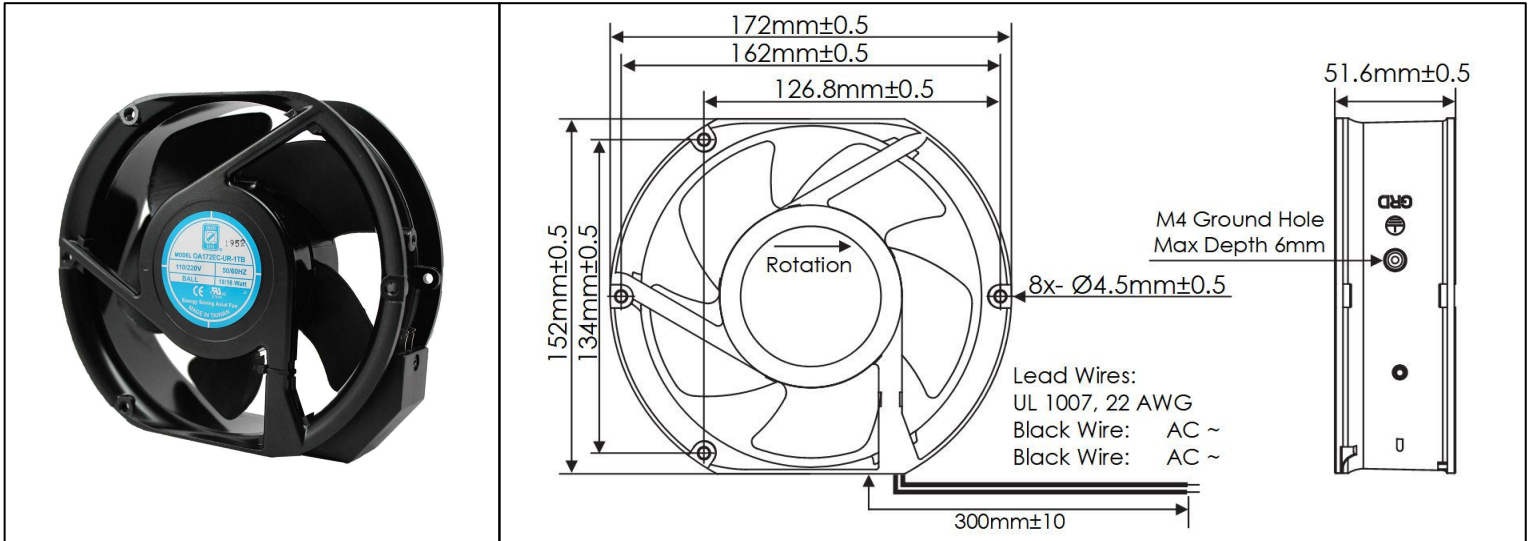
Part Number	Rated Voltage (Volts AC)	Voltage Range (Volts AC)	Rated Power (Watts)	Rated Current (Amps)	Rated Speed (RPM)	Max Airflow (CFM)	Noise Level (dBA)	Max Static Pressure (\"H ₂ O)
OA172EC-11-1*B	115	103 ~ 127	15	0.23	3000	220	57.3	0.62
OA172EC-22-1*B	230	207 ~ 253	15	0.13	3000	220	57.3	0.62

* Insert "T" for Terminal type power connection, or "W" for Wire Lead type power connection.

OA172EC Series



EC Fans - Universal Voltage Range
172mm x 150mm x 51.6mm
(6.8" x 5.9" x 2.0")



Frame	Die Cast Aluminum, Black Finish	Operating Temperature -20°C ~ +65°C	
Impeller	PBT, UL94 V-0 Plastic	Storage Temperature -20°C ~ +75°C	
Connection	Wire Leads, 22 AWG, or Terminals	Life Expectancy 50,000 Hours (L10 at 40°C)	
Motor	EC Motor, Auto Cutoff, Auto Restart, Electronically Protected	Available Options PWM Speed Control Input Tachometer Output Alarm Output IP Ratings	
Bearing System	Ball Bearings	Weight: 1.47 lbs.	
Dielectric Strength	1500VAC/min, <1mA		
Insulation Resistance	≥10MΩ @500VAC		

Part Number	Rated Voltage (Volts AC)	Voltage Range (Volts AC)	Rated Power (Watts)	Rated Speed (RPM)	Max Airflow (CFM)	Noise Level (dBA)	Max Static Pressure ("H ₂ O)
OA172EC-UR-1*B	115 / 230	90 ~ 265	18 ~ 16 Max, 12.5 Typical	3000	220	55.2	0.80

* Indicates "T" (Terminals) or "W" (Wire Leads)