	Date	19-Jul-2022	SPECIFICATION	OLE WOLFF
	Page	1 / 7		www.owolff.com
	CN	P/N: OWMB-323220SA-40-12		Revision: 00



SPECIFICATION FOR APPROVAL

SMD Electro-Magnetic Transducer

Part Number	OWMB-323220SA-40-12
Note	This item is in compliance with the following requirements: 1. RoHS directive
Customer P/N	

Ole Wolff	Signature / Date	Prepared	Checked	Approved
		ZhuYu 2022.07.19		

Customer	Signature / Date	Confirmation		

REVISION NOTES:

Date	Rev.	Description of Revision
2022.07.19	00	Initial Release

OLE WOLFF ELEKTRONIK A/S Roedengvej 25 4180 Soroe Denmark TEL: +45 57833830 FAX: +45 57820019	OLE WOLFF ELECTRONICS INC. 1525 McCarthy Blvd, Suite 1093 Milpitas, Ca 95035 USA TEL : +1 408 888 8413	OLEWOLFF ELEKTRONIK GmbH Schulstrasse 15A. DE-25451 Quickborn. Germany TEL: +49 (0) 4106 765900 FAX: +49 (0) 4106 627297	OLEWOLFF ELECTRONICS 3 Bedford Street, Woburn, Bedfordshire MK17 9QB, ENGLAND TEL: +44 (0) 1525 290755 FAX: +44 (0) 1525 290855	OLE WOLFF ELEKTRONIK Yliopistonkatu 26 (P.O.BOX 257) FI-40101 Jyväskylä Finland TEL: +358 14 338 3050 FAX: +358 14 338 3059	OLE WOLFF (ASIA) LTD. Unit B, 19/F., Bold Win Ind. Bldg., No. 16-18 Wah Sing St., Kwai Chung, N.T., H.K. TEL: +852 2424 3274 FAX: +852 2424 2219	OLE WOLFF LTD. 5 Floor, Block G, WenTao Industrial Park, YingRenShi, Bao'an District, Shenzhen, PRC TEL: +86 755 82612542 TEL: +86 755 26406156
---	--	--	--	--	--	---

	Date	19-Jul-2022	SPECIFICATION	OLE WOLFF
	Page	2 / 7		www.owolff.com
	CN	P/N: OWMB-323220SA-40-12		Revision: 00

1. SCOPE

THIS SPECIFICATION IS APPLIED TO OLE WOLFF SMD ELECTRO-MAGNETIC TRANSDUCER UNIT OF MODEL: OWMB-323220SA-40-12

2. GENERAL REQUIREMENTS

OPERATING TEMPERATURE RANGE: -40°C ~ +85°C

STORAGE TEMPERATURE RANGE: -40°C ~ +85°C

3. MECHANICAL LAYOUT & DIMENSIONS

DIMENSIONS: SHOWN IN FIGURE 3.

WEIGHT: 0.2g

4. ELECTRICAL CHARACTERISTICS

NO.	ITEM	SPECIFICATION
1	RATED VOLTAGE	3.0V
2	OPERATING VOLTAGE	2.0-4.0V
3	RESONANT FREQUENCY	4000Hz
4	☆COIL RESISTANCE	12 ± 2 Ω
5	☆*RATED CURRENT	≤100mA
6	☆* SOUND OUTPUT AT 5cm	≥72dB
7	HOUSING MATERIAL	LCP(Black)

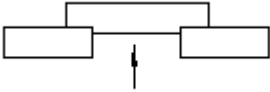
*Applying rated voltage (Resonant frequency, 1/2 duty, Square wave)

☆Tset Basic State: Temp(20 ± 2°C), Humidity(40~70% RH), Air pressure(860~1060hPa).

OLE WOLFF ELEKTRONIK A/S Roedengevej 25 4180 Soroe Denmark TEL: +45 57833830 FAX: +45 57820019	OLE WOLFF ELECTRONICS INC. 1525 McCarthy Blvd, Suite 1093 Milpitas, Ca 95035 USA TEL: +1 408 888 8413	OLEWOLFF ELEKTRONIK GmbH Schulstrasse 15A. DE-25451 Quickborn. Germany TEL: +49 (0) 4106 765900 FAX: +49 (0) 4106 627297	OLEWOLFF ELECTRONICS 3 Bedford Street, Woburn, Bedfordshire MK17 9QB, ENGLAND TEL: +44 (0) 1525 290755 FAX: +44 (0) 1525 290855	OLE WOLFF ELEKTRONIK Yliopistonkatu 26 (P.O.BOX 257) FI-40101 Jyväskylä Finland TEL: +358 14 338 3050 FAX: +358 14 338 3059	OLE WOLFF (ASIA) LTD. Unit B, 19/F, Bold Win Ind. Bldg., No. 16-18 Wah Sing St., Kwai Chung, N.T., H.K. TEL: +852 2424 3274 FAX: +852 2424 2219	OLE WOLFF LTD. 5 Floor, Block G, WenTao Industrial Park, YingRenShi, Bao'an District, Shenzhen, PRC TEL: +86 755 82612542 TEL: +86 755 26406156
--	---	--	--	--	---	---

	Date	19-Jul-2022	SPECIFICATION	OLE WOLFF
	Page	3 / 7		www.owolff.com
	CN	P/N: OWMB-323220SA-40-12		Revision: 00

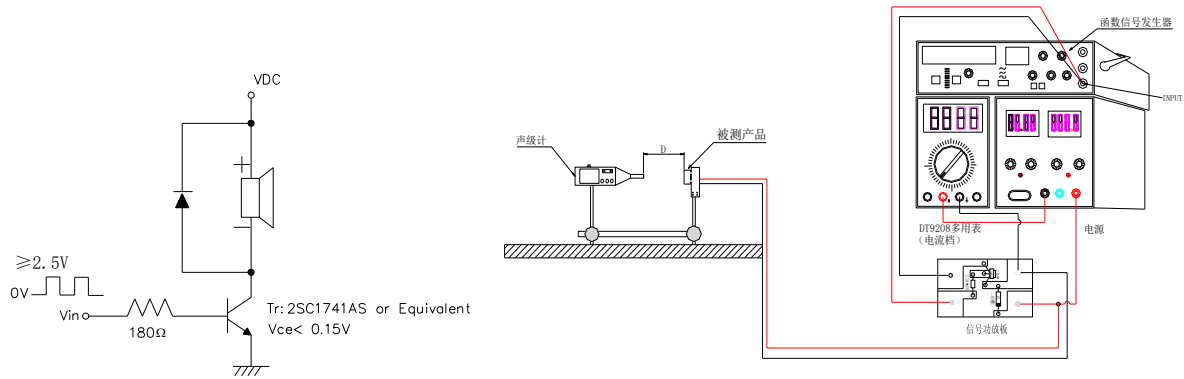
5. RELIABILITY TEST

<p>- After Test All specifications must be satisfied after the test.</p>																			
<p>5.1 High temperature Test Temperature: +85±2°C Duration: 120HRS</p>																			
<p>5.2 Low temperature Test Temperature: -40±2°C Duration: 120HRS</p>																			
<p>5.3 Humidity Test Temperature: +40±2°C Humidity: 90~95%RH Duration: 120HRS</p>																			
<p>5.4 Temperature cycling Test</p> <table style="width: 100%; border: none;"> <tr> <td style="width: 25%;">Temperature:</td> <td style="width: 25%;">-40±2°C</td> <td style="width: 25%;">room temp.</td> <td style="width: 25%;">+85±2°C</td> <td style="width: 25%;">room temp.</td> </tr> <tr> <td>Duration:</td> <td>30min</td> <td>15min</td> <td>30min</td> <td>15min</td> </tr> <tr> <td>Cycle:</td> <td colspan="4">5 cycles</td> </tr> </table>					Temperature:	-40±2°C	room temp.	+85±2°C	room temp.	Duration:	30min	15min	30min	15min	Cycle:	5 cycles			
Temperature:	-40±2°C	room temp.	+85±2°C	room temp.															
Duration:	30min	15min	30min	15min															
Cycle:	5 cycles																		
<p>5.5 Vibration Test Input power: 10Hz(a period is 1 minute) Amplitude: 1.52mm(9.3g) Duration: 2 hours per plane in each three mutually perpendicular planes for a total time of 6 hours.</p>																			
<p>5.6 Drop Test Dropped naturally from 700mm height onto the surface of 10mm thick wooden board. 2 directions-upper and side of the part are to be applied.</p>																			
<p>5.7 Lead pull The part shall be pulled with a force of 9.8N for 10±1 seconds behind the part.</p> <div style="text-align: center;">  </div> <p>After the test part shall meet specifications without any degradation in appearance and performance.</p>																			
<p>5.8 Recommended temp. Profile for Reflow Oven Shown in Figure 4</p>																			

OLE WOLFF ELEKTRONIK A/S Roedengvej 25 4180 Soroe Denmark TEL: +45 57833830 FAX: +45 57820019	OLE WOLFF ELECTRONICS INC. 1525 McCarthy Blvd, Suite 1093 Milpitas, Ca 95035 USA TEL: +1 408 888 8413	OLEWOLFF ELEKTRONIK GmbH Schulstrasse 15A. DE-25451 Quickborn. Germany TEL: +49 (0) 4106 765900 FAX: +49 (0) 4106 627297	OLEWOLFF ELECTRONICS 3 Bedford Street, Woburn, Bedfordshire MK17 9QB, ENGLAND TEL: +44 (0) 1525 290755 FAX: +44 (0) 1525 290855	OLE WOLFF ELEKTRONIK Yliopistonkatu 26 (P.O.BOX 257) FI-40101 Jyväskylä Finland TEL: +358 14 338 3050 FAX: +358 14 338 3059	OLE WOLFF (ASIA) LTD. Unit B, 19/F., Bold Win Ind. Bldg., No. 16-18 Wah Sing St., Kwai Chung, N.T., H.K. TEL: +852 2424 3274 FAX: +852 2424 2219	OLE WOLFF LTD. 5 Floor, Block G, WenTao Industrial Park, YingRenShi, Bao'an District, Shenzhen, PRC TEL: +86 755 82612542 TEL: +86 755 26406156
---	---	--	--	--	--	---

	Date	19-Jul-2022	SPECIFICATION	OLE WOLFF
	Page	4 / 7		www.owolff.com
	CN	P/N: OWMB-323220SA-40-12		Revision: 00

6. TEST METHOD (Figure 1)

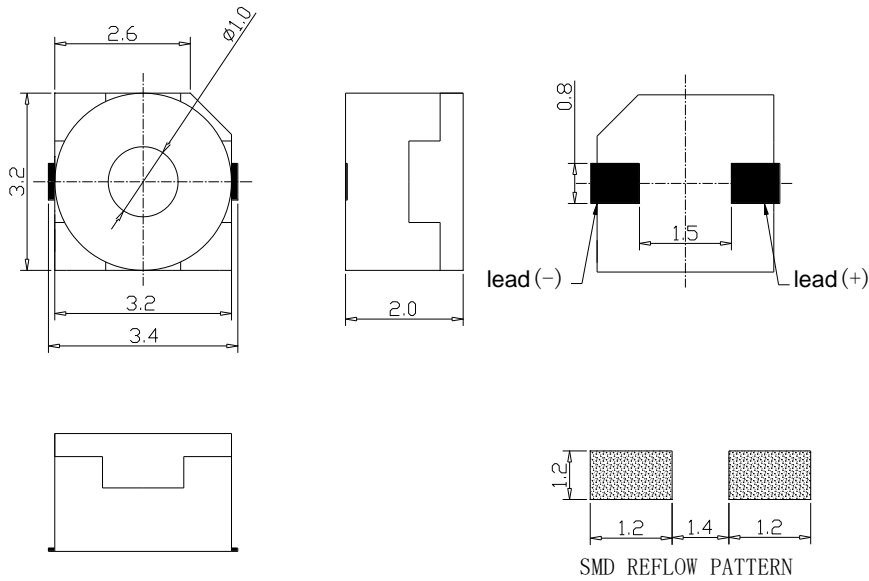


OLE WOLFF ELEKTRONIK A/S Roedengvej 25 4180 Soroe Denmark TEL: +45 57833830 FAX: +45 57820019	OLE WOLFF ELECTRONICS INC. 1525 McCarthy Blvd, Suite 1093 Milpitas, Ca 95035 USA TEL: +1 408 888 8413	OLEWOLFF ELEKTRONIK GmbH Schulstrasse 15A. DE-25451 Quickborn. Germany TEL: +49 (0) 4106 765900 FAX: +49 (0) 4106 627297	OLEWOLFF ELECTRONICS 3 Bedford Street, Woburn, Bedfordshire MK17 9QB, ENGLAND TEL: +44 (0) 1525 290755 FAX: +44 (0) 1525 290855	OLE WOLFF ELEKTRONIK Yliopistonkatu 26 (P.O.BOX 257) FI-40101 Jyväskylä Finland TEL: +358 14 338 3050 FAX: +358 14 338 3059	OLE WOLFF (ASIA) LTD. Unit B, 19/F., Bold Win Ind. Bldg., No. 16-18 Wah Sing St., Kwai Chung, N.T., H.K. TEL: +852 2424 3274 FAX: +852 2424 2219	OLE WOLFF LTD. 5 Floor, Block G, WenTao Industrial Park, YingRenShi, Bao'an District, Shenzhen, PRC TEL: +86 755 82612542 TEL: +86 755 26406156
---	---	--	--	--	--	---

	Date	19-Jul-2022	SPECIFICATION	OLE WOLFF
	Page	5 / 7		www.owolff.com
	CN	P/N: OWMB-323220SA-40-12		Revision: 00

7. DIMENSIONS (Figure 3)

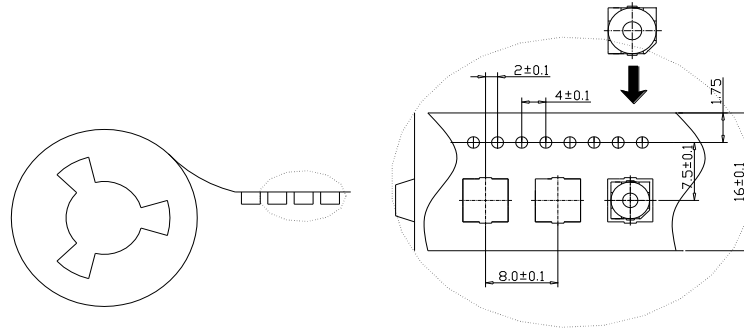
Unit: mm Tolerance: ±0.5mm Except Specified



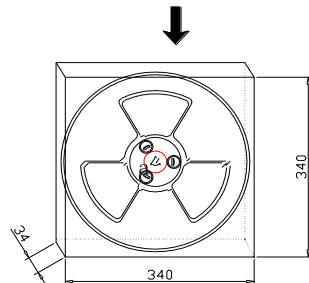
OLE WOLFF ELEKTRONIK A/S Roedengvej 25 4180 Soroe Denmark TEL: +45 57833830 FAX: +45 57820019	OLE WOLFF ELECTRONICS INC. 1525 McCarthy Blvd, Suite 1093 Milpitas, Ca 95035 USA TEL: +1 408 888 8413	OLEWOLFF ELEKTRONIK GmbH Schulstrasse 15A. DE-25451 Quickborn. Germany TEL: +49 (0) 4106 765900 FAX: +49 (0) 4106 627297	OLEWOLFF ELECTRONICS 3 Bedford Street, Woburn, Bedfordshire MK17 9QB, ENGLAND TEL: +44 (0) 1525 290755 FAX: +44 (0) 1525 290855	OLE WOLFF ELEKTRONIK Yliopistonkatu 26 (P.O.BOX 257) FI-40101 Jyväskylä Finland TEL: +358 14 338 3050 FAX: +358 14 338 3059	OLE WOLFF (ASIA) LTD. Unit B, 19/F., Bold Win Ind. Bldg., No. 16-18 Wah Sing St., Kwai Chung, N.T., H.K. TEL: +852 2424 3274 FAX: +852 2424 2219	OLE WOLFF LTD. 5 Floor, Block G, WenTao Industrial Park, YingRenShi, Bao'an District, Shenzhen, PRC TEL: +86 755 82612542 TEL: +86 755 26406156
---	---	--	--	--	--	---

	Date	19-Jul-2022	SPECIFICATION	OLE WOLFF
	Page	7 / 7		www.owolff.com
	CN	P/N: OWMB-323220SA-40-12		Revision: 00

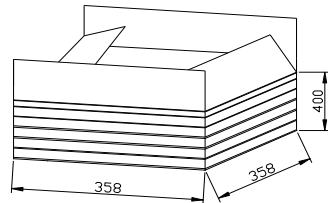
10. PACKAGE INFORMATION (Figure 6)



3000PCS/CARRUER REEK; 每卷装3000PCS



1ROLL CARRIER REEL/INNER BOX; 1卷放入一内盒



30000PCS/CTN 每箱放30000只(10只内盒)

NOTES:

- 1.3000 PCS per box
- 2.Total 10 boxes per carton
- 3.Total 3000 PCS carton

OLE WOLFF ELEKTRONIK A/S Roedengvej 25 4180 Soroe Denmark TEL: +45 57833830 FAX: +45 57820019	OLE WOLFF ELECTRONICS INC. 1525 McCarthy Blvd, Suite 1093 Milpitas, Ca 95035 USA TEL: +1 408 888 8413	OLEWOLFF ELEKTRONIK GmbH Schulstrasse 15A. DE-25451 Quickborn. Germany TEL: +49 (0) 4106 765900 FAX: +49 (0) 4106 627297	OLEWOLFF ELECTRONICS 3 Bedford Street, Woburn, Bedfordshire MK17 9QB, ENGLAND TEL: +44 (0) 1525 290755 FAX: +44 (0) 1525 290855	OLE WOLFF ELEKTRONIK Yliopistonkatu 26 (P.O.BOX 257) FI-40101 Jyväskylä Finland TEL: +358 14 338 3050 FAX: +358 14 338 3059	OLE WOLFF (ASIA) LTD. Unit B, 19/F, Bold Win Ind. Bldg., No. 16-18 Wah Sing St., Kwai Chung, N.T., H.K. TEL: +852 2424 3274 FAX: +852 2424 2219	OLE WOLFF LTD. 5 Floor, Block G, WenTao Industrial Park, YingRenShi, Bao'an District, Shenzhen, PRC TEL: +86 755 82612542 TEL: +86 755 26406156
---	---	--	--	--	---	---