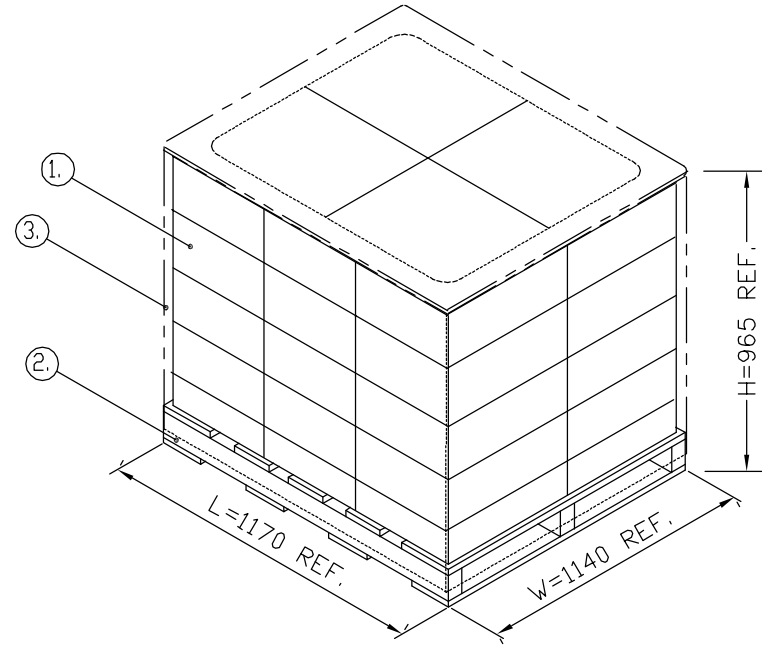


\* PACKING ASS'Y DRAWING:  
 1. ALL DIMENSIONS ARE IN mm.  
 2. PARTS SPECIFIED AS FOLLOWS:

\* NOTES:  
 UNLESS OTHERWISE SPECIFIED,  
 1. STAMP OR LABEL MODEL'S  
 CONTENTS ON THE CARTON FOR  
 EACH SHIPPING.  
 2. CARTON USES PACKING TAPE TO  
 SEAL.

③	751696	PE BAG	1
②	790299	PARTITION	1/40
①	727728	OUT-CTN	1/40
ITEM	PART NO.	DESCRIPTION	Q'TY



\* PALLET ASS'Y DRAWING:  
 1. ALL DIMENSIONS ARE IN mm.  
 2. PARTS SPECIFIED AS FOLLOWS:

ITEM	PART NAME	QUANTITY
①	CARTON	1 CARTON=40 UNITS
②	PALLET	1 PALLET=5 LAYERS =30 CARTONS =1200 UNITS
③	POLYESTER FILM	2 LAYERS MIN. =1200 UNITS

TOLERANCES ±		
ANGULAR	LINEAR	
0.5°	0~6	0.10
	6~30	0.20
	30~80	0.25
	80~180	0.30
	180~315	0.50
	315~800	0.8