

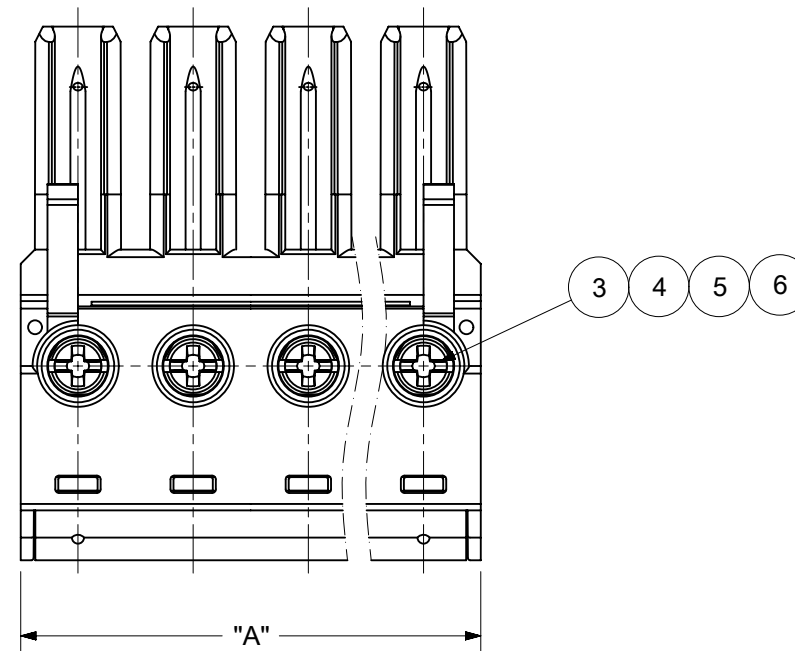
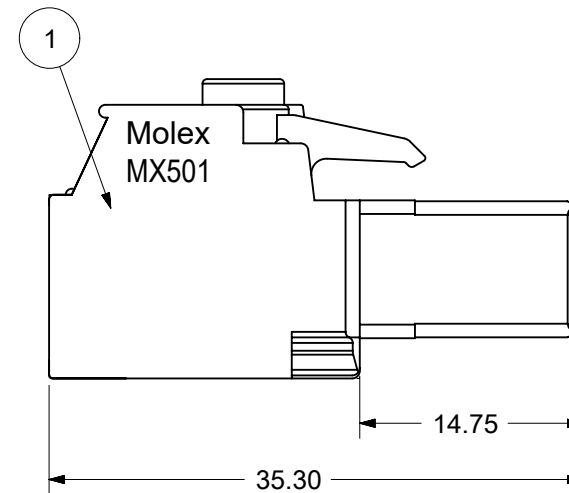
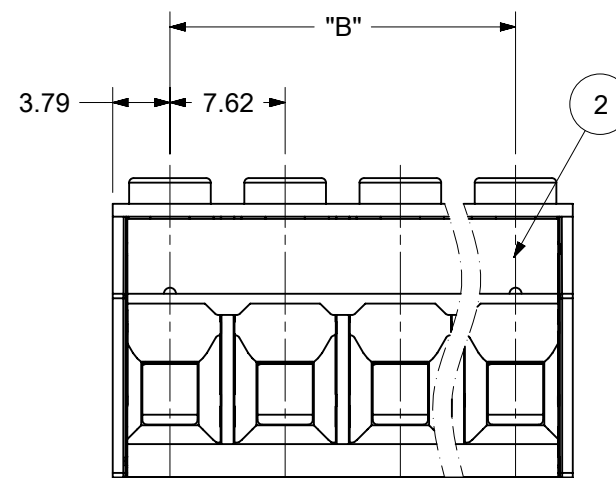
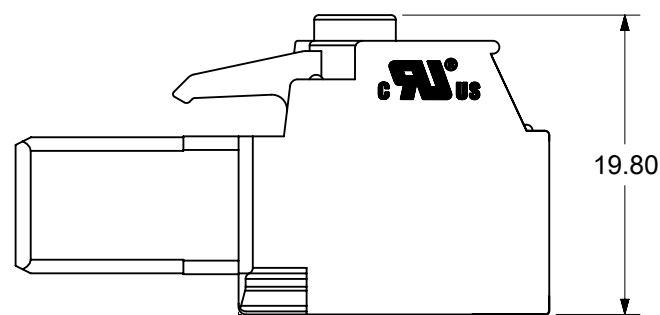
NO. OF CIRCUITS	PART NO.	ENGINEERING NO.	COLOR	DIM "A"	DIM "B"
				MM	MM
2	397681002	MX501-02P-G12C	GREEN	15.20	7.62
3	397681003	MX501-03P-G12C	GREEN	22.82	15.24
4	397681004	MX501-04P-G12C	GREEN	30.44	22.86
5	397681005	MX501-05P-G12C	GREEN	38.06	30.48
6	397681006	MX501-06P-G12C	GREEN	45.68	38.10
7	397681007	MX501-07P-G12C	GREEN	53.30	45.72
8	397681008	MX501-08P-G12C	GREEN	60.92	53.34
9	397681009	MX501-09P-G12C	GREEN	68.54	60.96
10	397681010	MX501-10P-G12C	GREEN	76.16	68.58
11	397681011	MX501-11P-G12C	GREEN	83.78	76.20
12	397681012	MX501-12P-G12C	GREEN	91.40	83.82

MATERIALS	
1. HOUSING	PA66 UL94 V-0
2. COVER	PA66 UL94 V-0
3. M3 SCREW	ZINC PLATED STEEL
4. RISING CAGE CLAMP	NICKEL PLATED BRASS
5. TERMINAL	TIN PLATED COPPER ALLOY
6. TERMINAL SPRING	STAINLESS STEEL

ELECTRICAL , MECHANICAL AND THERMAL RATINGS	
MAXIMUM VOLTAGE	600V (PER UL GROUP B, C & D)
MAXIMUM CURRENT	41A (PER UL GROUP B & C)
	5A (PER UL GROUP D)
WIRE RANGE	8-24 AWG (SOLID OR STRANDED)
INSULATION RESISTANCE	500MΩ OR MORE AT 500V DC
WITHSTAND VOLTAGE	2200V PER 1 MINUTE
SCREW TORQUE	0.79Nm (7 IN-LBS)
WIRE STRIP LENGTH	9.5 TO 10.5MM
OPERATING TEMPERATURE	-40°C TO +105°C

Total Pitch Tolerances in mm									Nominal dimension range in mm								
over	over	over	over	over	over	over	over	over	over	over	over	over	over	over	over	over	over
0	30	53	70	90	115	150	200	250	0	30	53	70	90	115	150	200	250
to	to	to	to	to	to	to	to	to	to	to	to	to	to	to	to	to	to
30	53	70	90	115	150	200	250	320	30	53	70	90	115	150	200	250	320
±0.20	±0.25	±0.30	±0.35	±0.44	±0.55	±0.70	±0.85	±1.00	±0.25	±0.30	±0.35	±0.44	±0.55	±0.70	±0.80	±0.90	±1.20

DOCUMENT STATUS	P1	RELEASE DATE	2021/06/22	20:54:42
-----------------	----	--------------	------------	----------



FUNCTIONAL SYMBOLS	THIS DRAWING CONTAINS INFORMATION THAT IS PROPRIETARY TO MOLEX ELECTRONIC TECHNOLOGIES, LLC AND SHOULD NOT BE USED WITHOUT WRITTEN PERMISSION		CURRENT REV DESC: INITIAL RELEASE		molex		
	DIMENSION UNITS	SCALE					
$\nabla = 0$	mm	2:1			7.62MM HORIZONTAL PLUG HIGH CURRENT		
$\nabla = 0$	GENERAL TOLERANCES (UNLESS SPECIFIED)				PRODUCT CUSTOMER DRAWING		
$\nabla = 0$	ANGULAR TOL ± ---				DOCUMENT NUMBER		
DIVISIONAL SYMBOLS	4 PLACES ± ---		EC NO: 665717		397681002		
	3 PLACES ± ---		DRWN: ABENJAMINLW		DOC TYPE DOC PART REVISION		
	2 PLACES ± SEE CHART		CHK'D: DACHAMMER		PSD 000 A		
	1 PLACE ± SEE CHART		APPR: JFMURPHY				
	0 PLACES ± ---		INITIAL REVISION:				
	DRAFT WHERE APPLICABLE MUST REMAIN WITHIN DIMENSIONS		DRWN: ABENJAMINLW				
	THIRD ANGLE PROJECTION		APPR: JFMURPHY				
	DRAWING		SERIES				
	B-SIZE		39768				
	MATERIAL NUMBER		CUSTOMER				
	SEE CHART		GENERAL MARKET				
					SHEET NUMBER		
					1 OF 1		