

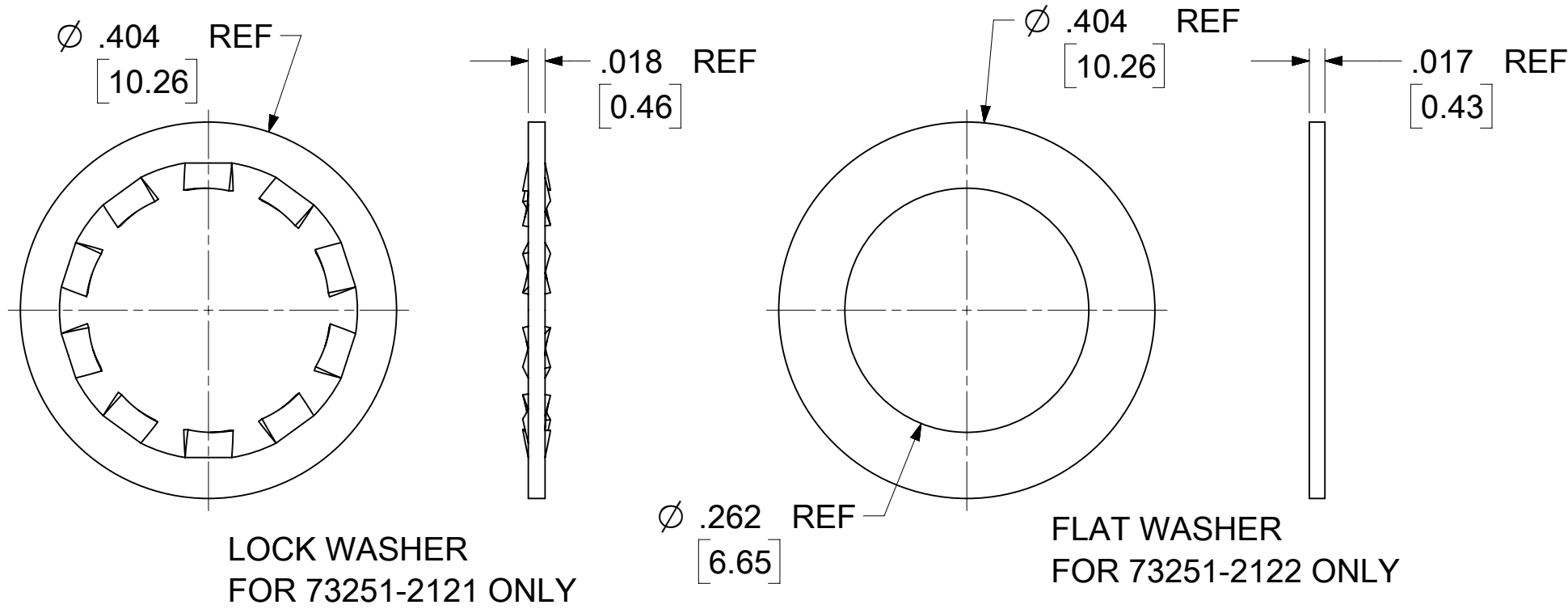
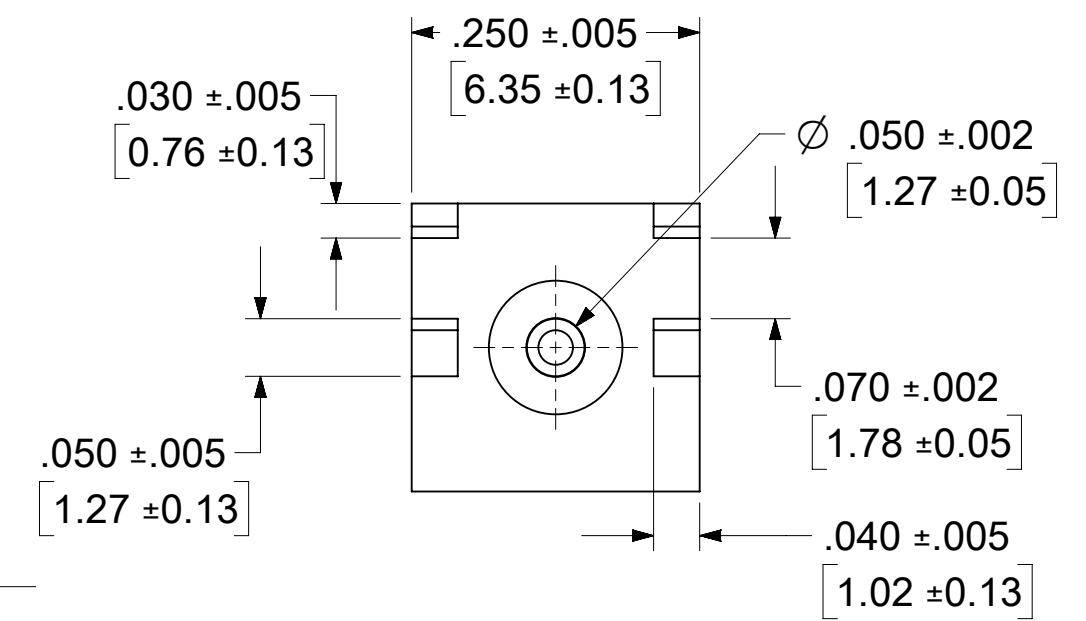
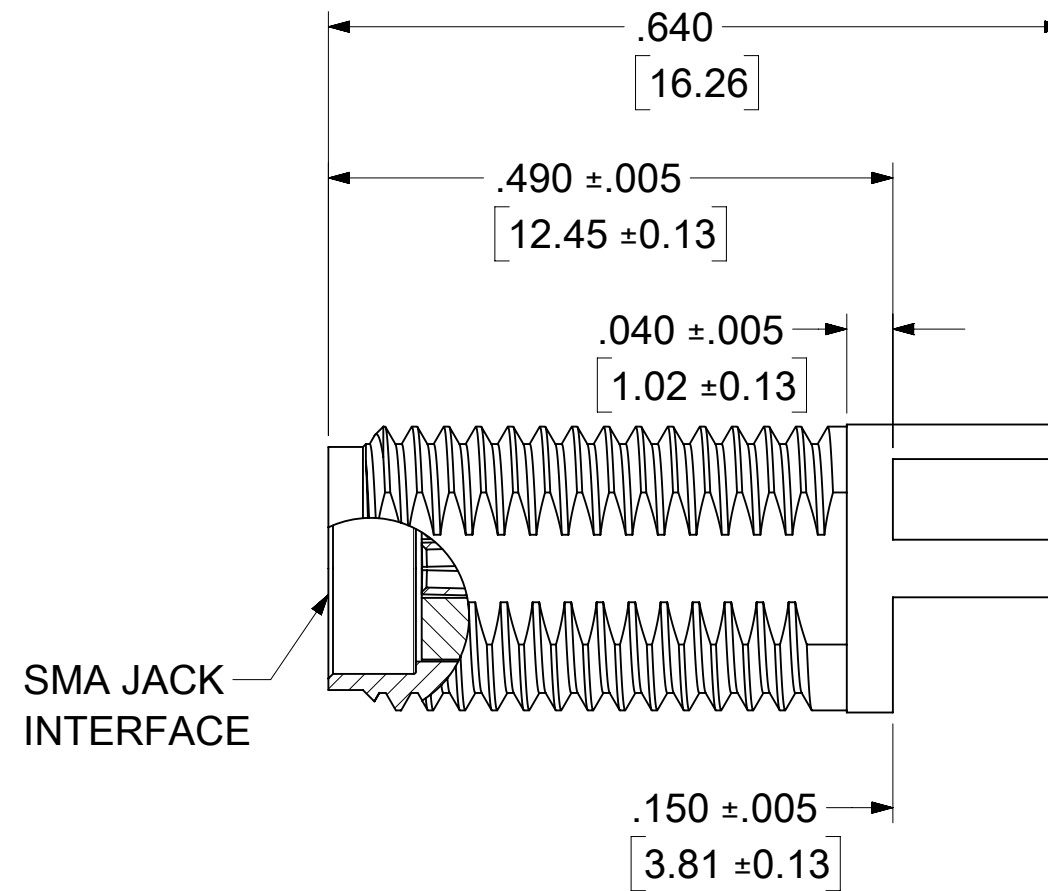
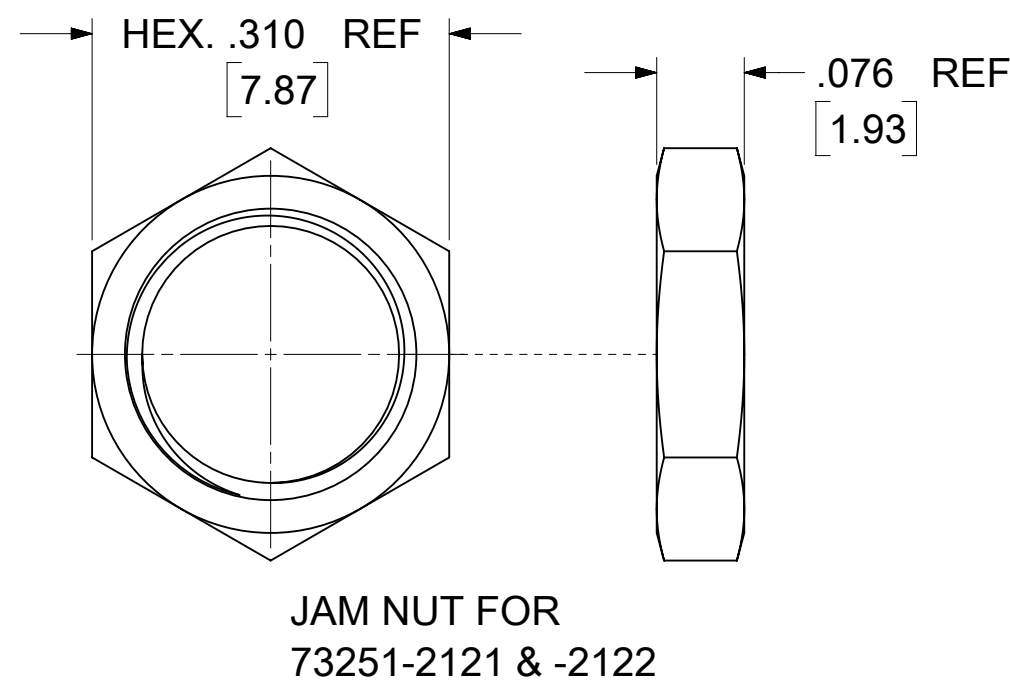
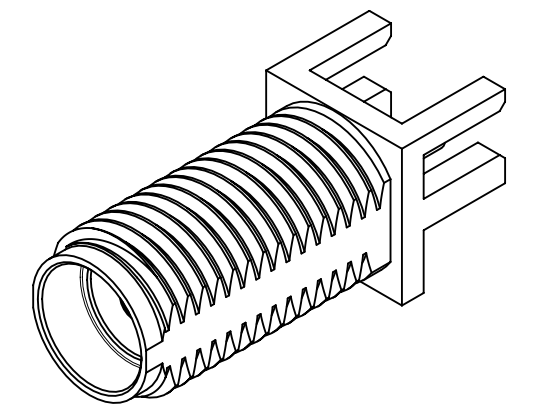
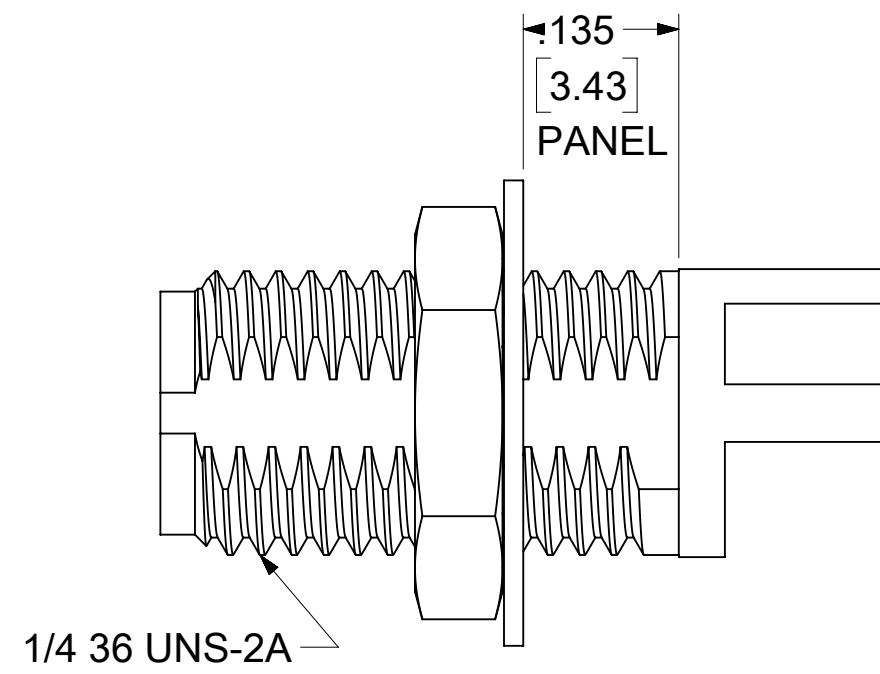
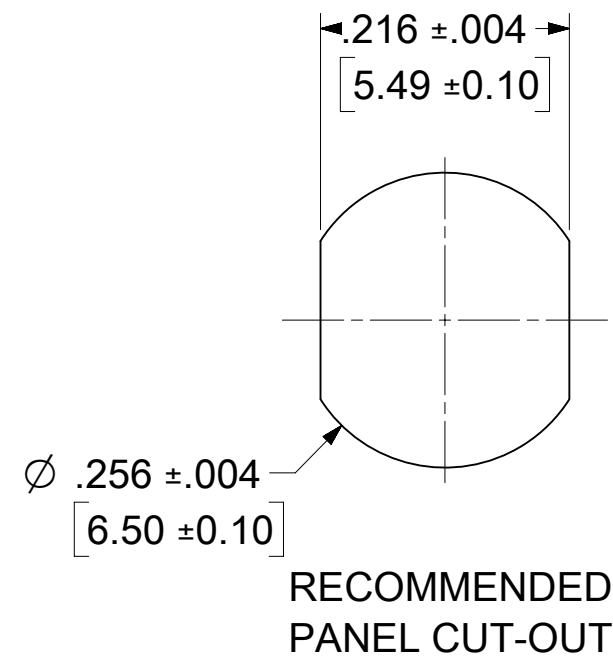
MATERIALS AND FINISHES:

BODY, JAM NUT, FLAT WASHER: BRASS
PLATED GOLD

CENTER CONTACT: BERYLLIUM COPPER
PLATED GOLD

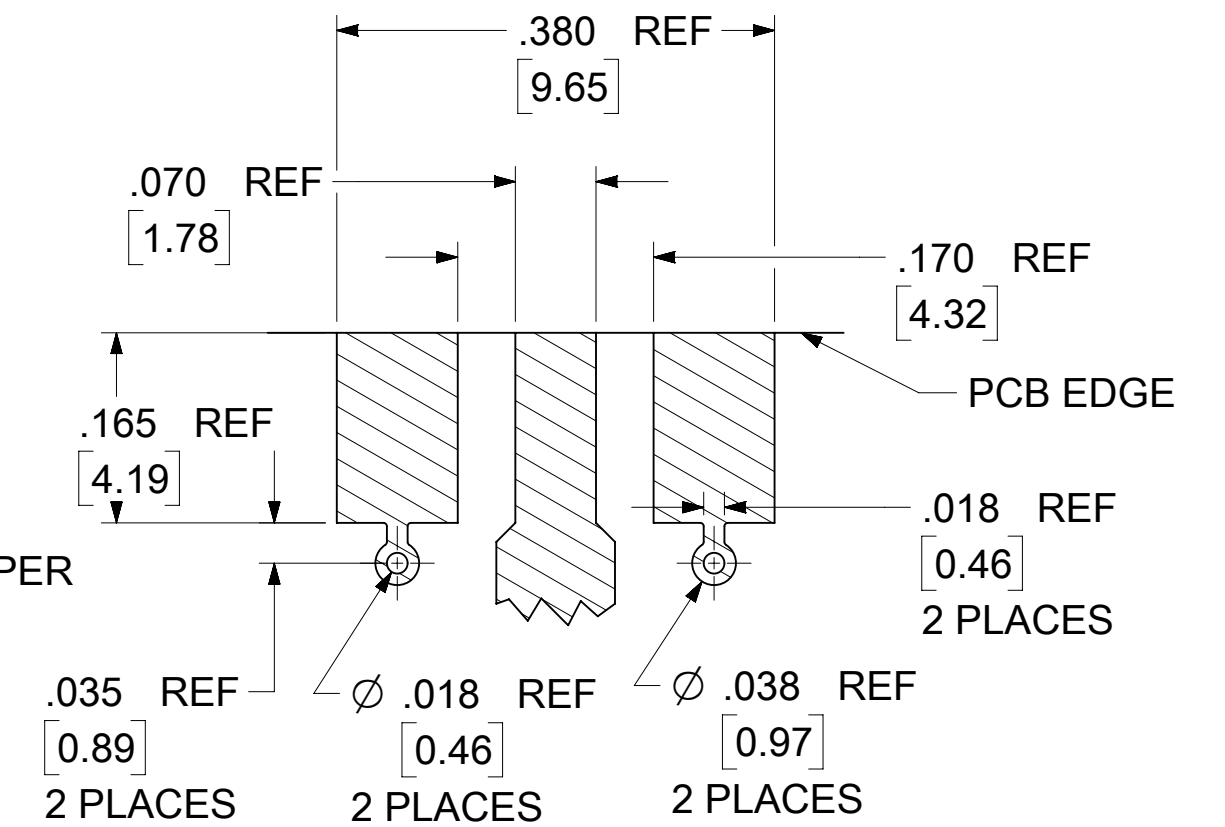
INSULATOR: TEFLON

LOCK WASHER: PHOSPHOR BRONZE
PLATED GOLD



RECOMMENDED PAD LAYOUT

BASE WIDTH: .250(6.35) NOM.
BOARD THICKNESS: .062(1.57) NOM.
BOARD MATERIAL: FR4 W/1.0 OZ COPPER
BOTH SIDES



73251-2123	-2120 WITHOUT HARDWARE	ONE PIECE PER BAG	895420090
73251-2122	-2120 W / JAM NUT & FLAT WASHER	TRAY	895420040
73251-2121	-2120 W / JAM NUT & LOCK WASHER	TRAY	895420040
73251-2120	-2120 WITHOUT HARDWARE	TRAY	895420040
PART NO.	DESCRIPTION	PACKAGING	PACKING SPEC

PS-89675-346	PRODUCT SPECIFICATION
MIL-STD-348A, FIG. 310.2	INTERFACE
SPECIFICATION	DESCRIPTION

FUNCTIONAL SYMBOLS	THIS DRAWING CONTAINS INFORMATION THAT IS PROPRIETARY TO MOLEX ELECTRONIC TECHNOLOGIES, LLC AND SHOULD NOT BE USED WITHOUT WRITTEN PERMISSION	
FA = 0	DIMENSION UNITS	SCALE
EA = 0	IN/MM	NTS
EP = 0	CURRENT REV DESC: ADD PKG NOTE PER EWR15788-A	
DIVISIONAL SYMBOLS	GENERAL TOLERANCES (UNLESS SPECIFIED)	
	ANGULAR TOL ± 2.0°	
	4 PLACES ±	EC NO: 746940
	3 PLACES ±	DRWN: CWEI02 2022/09/20
	2 PLACES ±	CHK'D: YCHENG 2023/05/22
	1 PLACE ±	APPR: YCHENG 2023/05/22
	0 PLACES ±	INITIAL REVISION:
		DRWN: SSS 2003/07/09
		APPR: JWIENER 2010/10/27
DRAFT WHERE APPLICABLE MUST REMAIN WITHIN DIMENSIONS	THIRD ANGLE PROJECTION	DRAWING SERIES
	C-SIZE	73251
		MATERIAL NUMBER CUSTOMER SHEET NUMBER
	SEE TABLE	GENERAL MARKET 1 OF 1

molex

SMA JACK, EDGE MOUNT
.062 BOARD, 50 OHMS, EWR-2074 SMA-J/PCB

PRODUCT CUSTOMER DRAWING

DOCUMENT NUMBER DOC TYPE DOC PART REVISION

SD-73251-212 PSD 001 A6

MATERIAL NUMBER CUSTOMER SHEET NUMBER

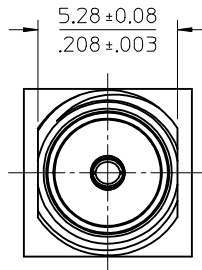
SEE TABLE GENERAL MARKET 1 OF 1

MATERIALS AND FINISHES

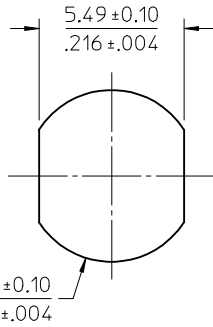
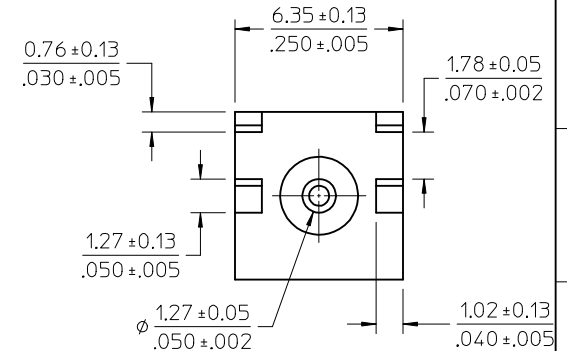
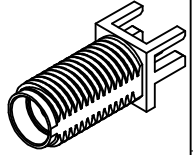
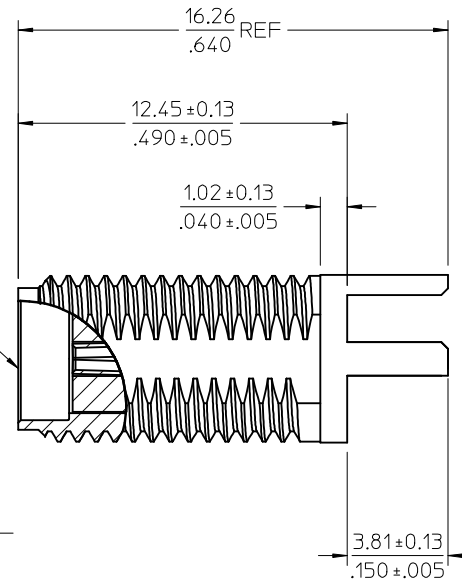
BODY: BRASS
 PLATED: NICKEL

CENTER CONTACT: BERYLLIUM COPPER
 PLATED: GOLD

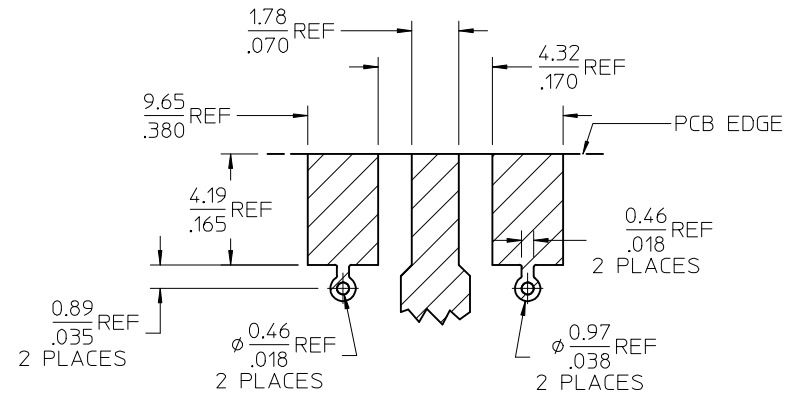
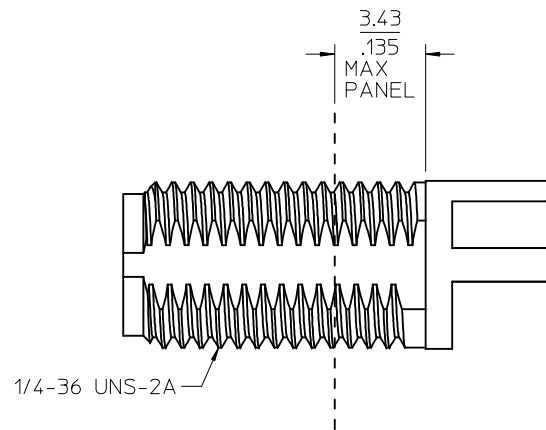
INSULATOR: PTFE



SMA JACK
 INTERFACE



RECOMMENDED PANEL CUTOUT



RECOMMENDED PAD LAYOUT:
 BASE WIDTH: 6.35(.250) NOM.
 BOARD THICKNESS: 1.57(.062) NOM.
 BOARD MATERIAL: FR4 W/1.0 OZ COPPER
 BOTH SIDES

PART # 73251-9340

PS-89675-3460	PRODUCT SPECIFICATION
MIL-STD-348A, FIG. 310.2	INTERFACE
SPECIFICATION	DESCRIPTION

CHG: NEW RELEASE EC NO: URF2014-0585 DRWN: JLEE02 2014/04/14 CHKD: SSS 2014/04/14 APPR: WSPINK	QUALITY SYMBOLS ∇=0 ∇=0 ∇=0	GENERAL TOLERANCES (UNLESS SPECIFIED)		DIMENSION STYLE	SCALE	DESIGN UNITS	THIRD ANGLE PROJECTION	
				MM/IN	INCH	INCH		
		4 PLACES	±	---	±	---		
		3 PLACES	±	---	±	---		
		ANGULAR ± 2 °		DRAWN BY	DATE	TITLE		
		DRAFT WHERE APPLICABLE MUST REMAIN WITHIN DIMENSIONS		AROBERTSON	2014/04/08	SMA JACK BK RM EDGE LAUNCH .062" PCB SMA-J/BK/PCB, EWR-5375		
				CHECKED BY	DATE	molex		
				WSPINK	2014/04/14	SD-73251-934		
				MATERIAL NO.		DOCUMENT NO.	SHEET NO.	
				SEE TABLE		1 OF 1		
				THIS DRAWING CONTAINS INFORMATION THAT IS PROPRIETARY TO MOLEX. INCORPORATED AND SHOULD NOT BE USED WITHOUT WRITTEN PERMISSION				