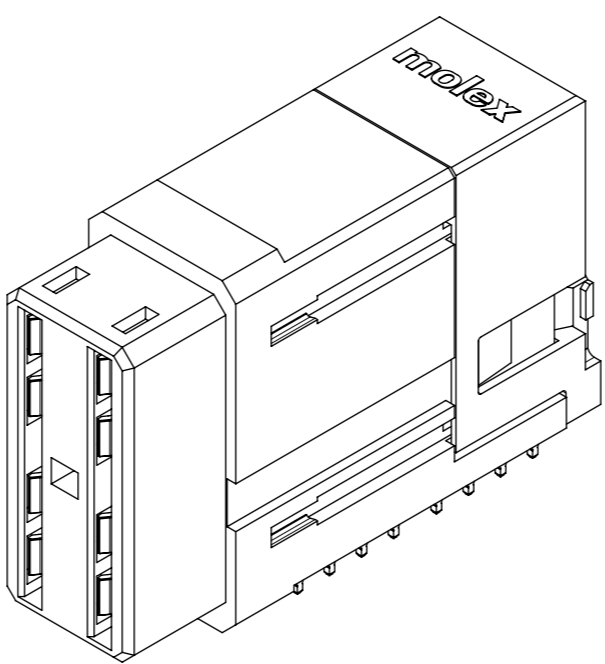
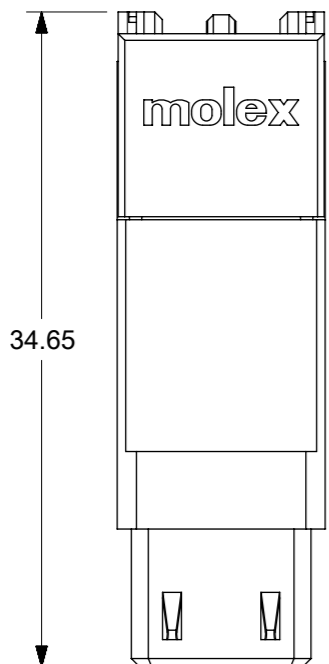
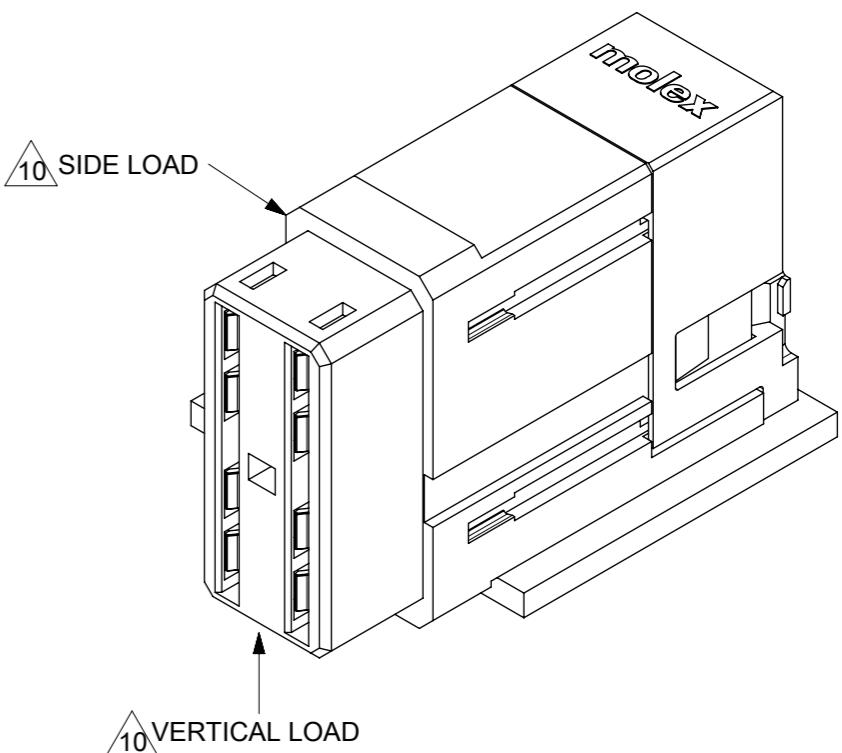
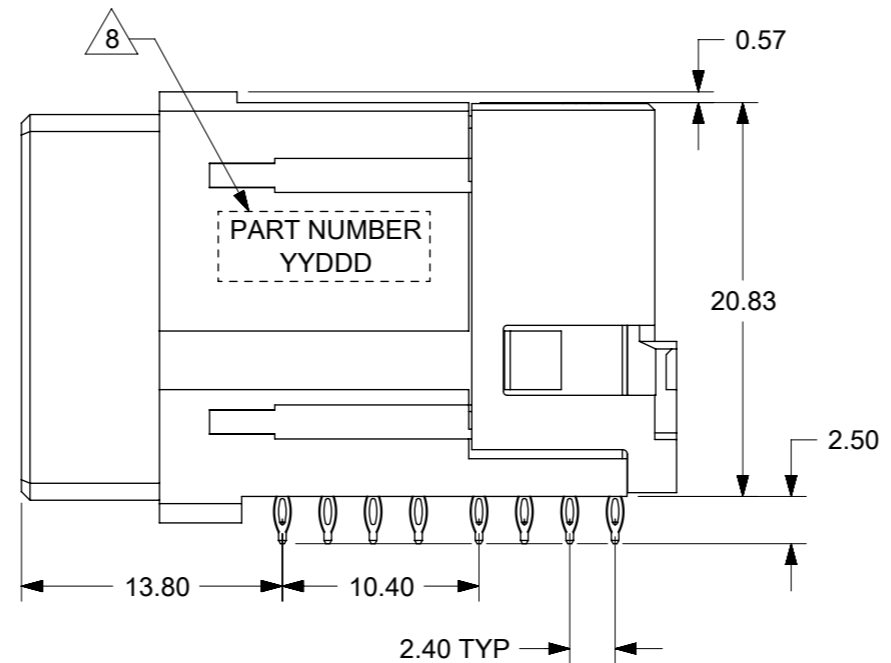
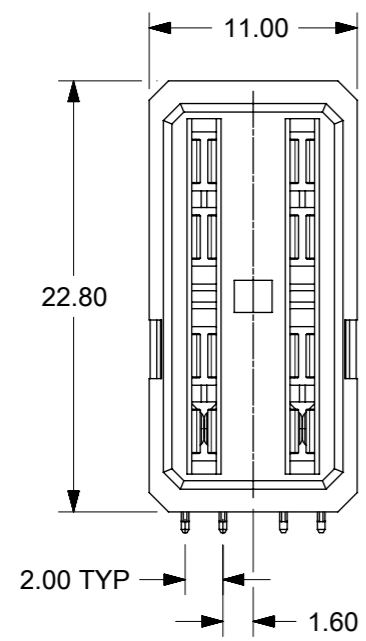


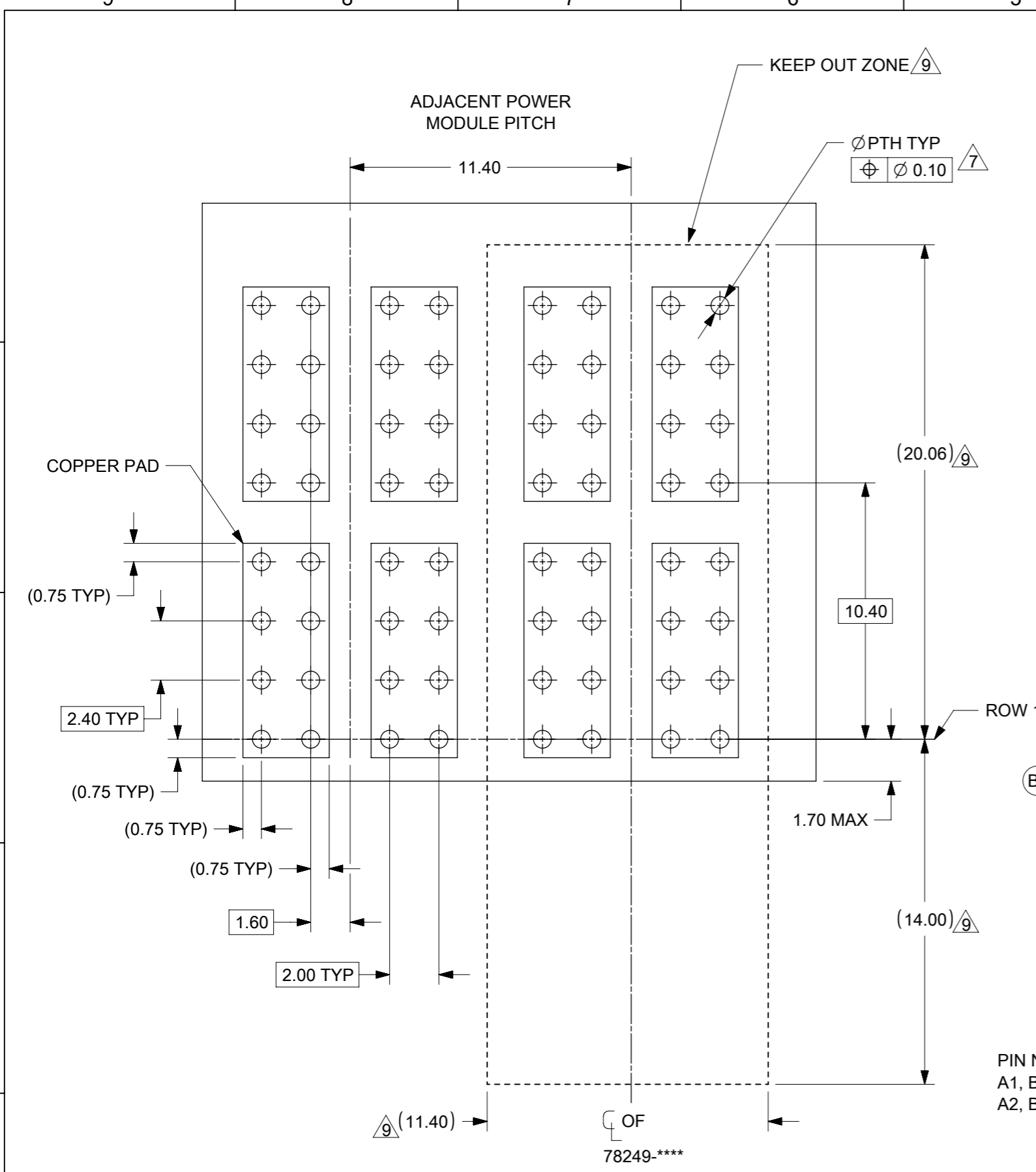
PART NUMBER	PLATING OPTIONS	PACKAGING
78249-1001	TIN PLATING	TRAY



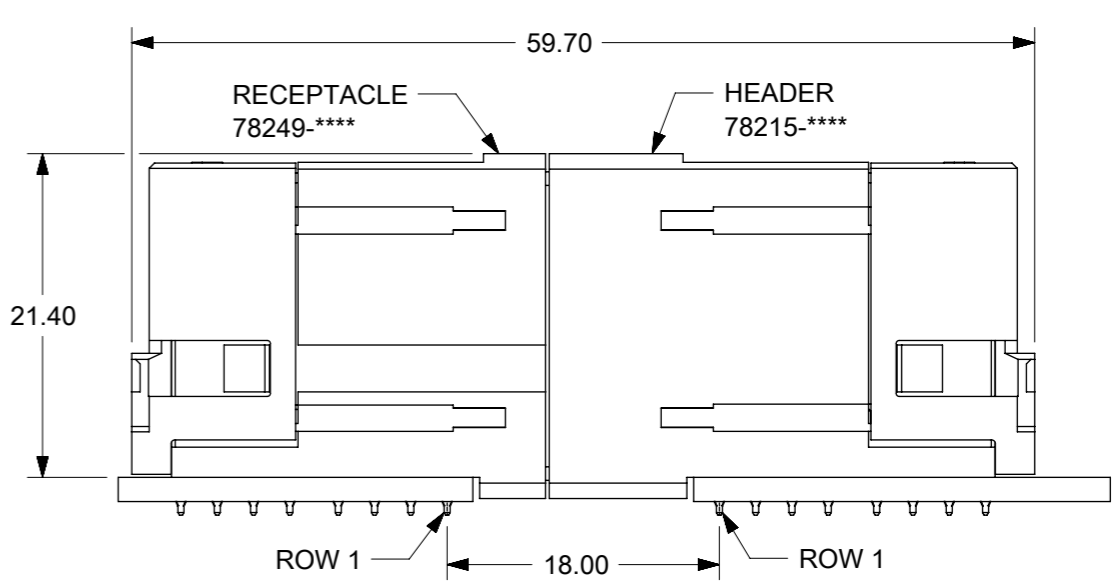
- NOTES:
- MATERIAL:
HOUSING - LCP, GLASS FILLED, UL94-V0, COLOR: BLACK
POWER PIN - COPPER ALLOY
 - FINISH OPTION:
TIN - 0.76µm MINIMUM GOLD AT CONTACT AND
2.54µm MINIMUM TIN AT SOLDER TAIL AREA OVER
1.27µm MINIMUM NICKEL UNDERPLATE OVERALL.
 - PRODUCT SPECIFICATION: PS-78213-001.
 - PACKAGING SPECIFICATION: PK-78249-001
 - MATES WITH 78215-**** OR 78351-****
 - REFER TO SHEET 2 FOR PCB RECOMMENDED PCB LAYOUT.
 - REFER TO MOLEX PRODUCT SPECIFICATION PS-78213-001 FOR PLATED THROUGH-HOLE SPECIFICATION.
 - PART NUMBER AND DATE CODE (YYDDD) APPROXIMATELY SHOWN.
 - KEEP OUT ZONE FROM OTHER COMPONENTS.
 - A HOLD DOWN MODULE (78352 SERIES) SHALL BE EMPLOYED IF THERE IS A SIDE LOAD OR VERTICAL LOAD ACTING ON THE CONNECTOR. THIS IS TO PREVENT THE CONNECTOR FROM DISLOCATED FROM PCB.



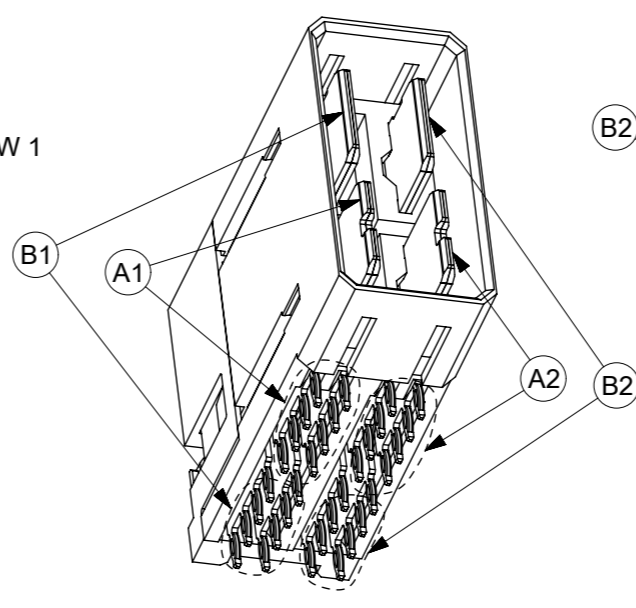
THIS DRAWING CONTAINS INFORMATION THAT IS PROPRIETARY TO MOLEX ELECTRONIC TECHNOLOGIES, LLC AND SHOULD NOT BE USED WITHOUT WRITTEN PERMISSION		CURRENT REV DESC: MIGRATED TO NX		molex	
DIMENSION UNITS	SCALE				
mm	NTS			IMPACT POWER, 5 PAIR RIGHT ANGLE RECEPTACLE PRESS-FIT	
GENERAL TOLERANCES (UNLESS SPECIFIED)		EC NO: 612508		PRODUCT CUSTOMER DRAWING	
ANGULAR TOL	± 3.0°	DRWN: PSHANKARACHA	2019/02/14	DOCUMENT NUMBER	
4 PLACES	±	CHK'D: ABN	2019/03/12	SD-78249-001	
3 PLACES	±	APPR: CWANG25	2019/03/13	DOC TYPE	DOC PART
2 PLACES	± 0.25	INITIAL REVISION:		PSD	001
1 PLACE	±	DRWN: CTCHO	2012/02/28	REVISION	
0 PLACES	±	APPR: SHONG	2012/03/22	B2	
DRAFT WHERE APPLICABLE MUST REMAIN WITHIN DIMENSIONS		THIRD ANGLE PROJECTION	DRAWING	SERIES	MATERIAL NUMBER
			A3-SIZE	78249	SEE TABLE
				CUSTOMER	SHEET NUMBER
				GENERAL MARKET	1 OF 2



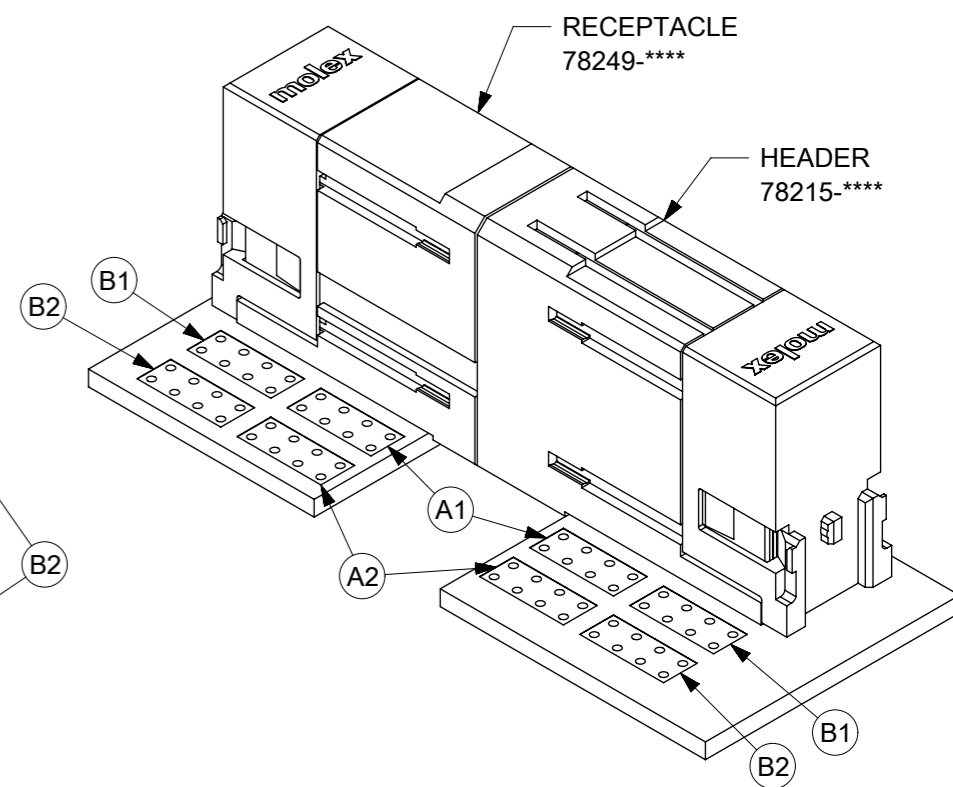
RECOMMENDED PCB LAYOUT
(COMPONENT SIDE SHOWN)
MINIMUM BOARD THICKNESS: 1.60mm



MATED SYSTEM OF 78249 & 78215



PIN NUMBER ASSIGNMENT BASED ON HEADER SIDE:
A1, B1 ON THE LEFT,
A2, B2 ON THE RIGHT.



CIRCUIT PATH OF MATED SYSTEM
(78249 & 78215)

THIS DRAWING CONTAINS INFORMATION THAT IS PROPRIETARY TO MOLEX ELECTRONIC TECHNOLOGIES, LLC AND SHOULD NOT BE USED WITHOUT WRITTEN PERMISSION		CURRENT REV DESC: MIGRATED TO NX		molex	
DIMENSION UNITS	SCALE				
mm	NTS			IMPACT POWER, 5 PAIR RIGHT ANGLE RECEPTACLE PRESS-FIT	
GENERAL TOLERANCES (UNLESS SPECIFIED)				PRODUCT CUSTOMER DRAWING	
ANGULAR TOL	± 3.0 °	EC NO:	612508	DOCUMENT NUMBER	
4 PLACES	±	DRWN:	PSHANKARACHA 2019/02/14	SD-78249-001	
3 PLACES	±	CHK'D:	ABN 2019/03/12	DOC TYPE	DOC PART
2 PLACES	± 0.25	APPR:	CWANG25 2019/03/13	PSD	001
1 PLACE	±	INITIAL REVISION:		REVISION	
0 PLACES	±	DRWN:	CTCHO 2012/02/28	B2	
DRAFT WHERE APPLICABLE MUST REMAIN WITHIN DIMENSIONS		APPR:	SHONG 2012/03/22		
THIRD ANGLE PROJECTION		DRAWING	SERIES	MATERIAL NUMBER	CUSTOMER
		A3-SIZE	78249	SEE TABLE	GENERAL MARKET
				SHEET NUMBER	
				2 OF 2	