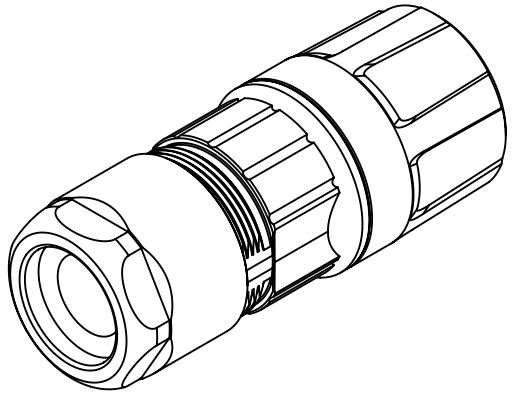
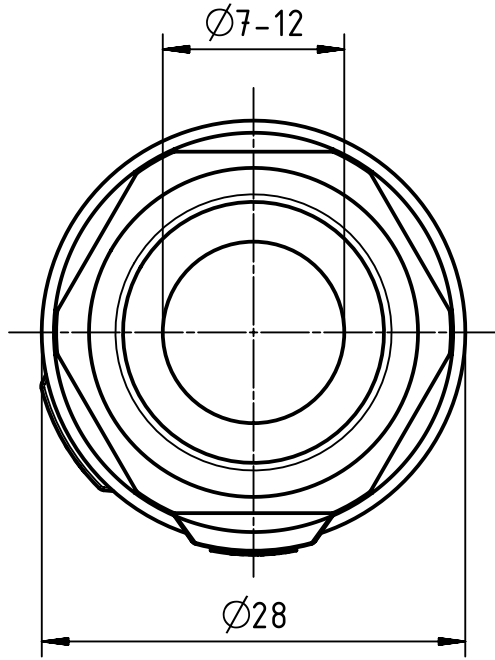
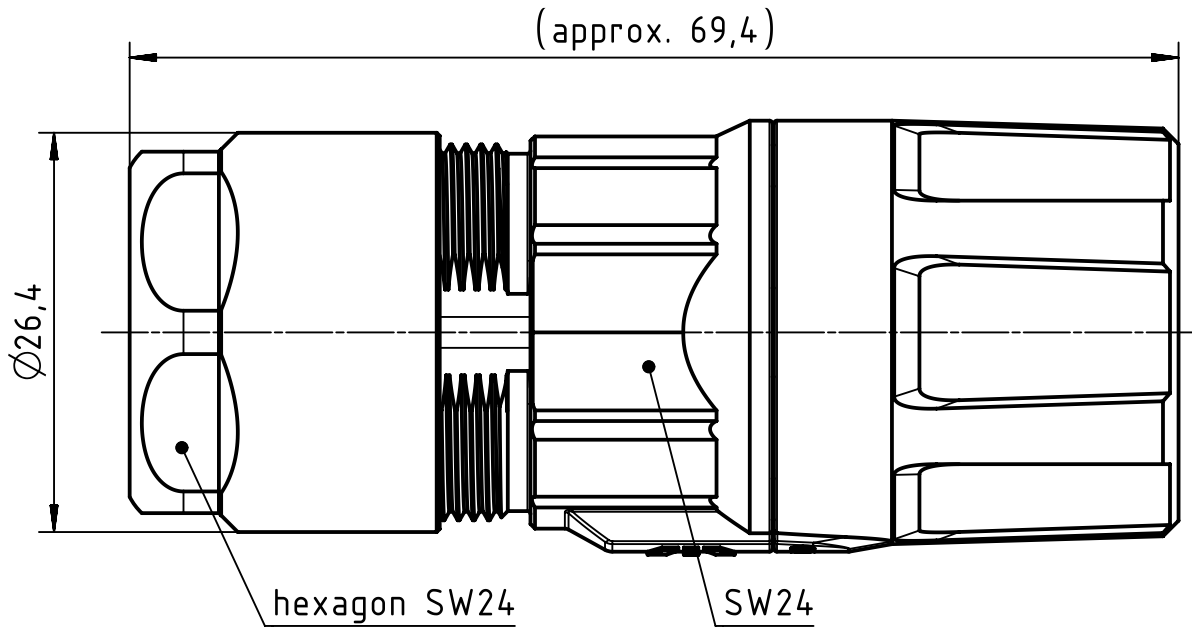



1                      2                      3                      4                      5                      6

A  
B  
C  
D



	All rights reserved Department EL PD	All Dimensions in mm Original Size DIN A4		Scale 2:1	Free size tol.	Ref.
		Created by DYCKC	Inspected by GRUBES	Standardisation TIEMANNA	Date 2019-07-19	State Final Release
HARTING Electric GmbH & Co. KG D-32339 Espelkamp		Title M23 ComLock-S Hood 7-12 mm			Doc-Key / ECM-Nr. 100736334/UGD/000/B 500000154908	
		Type TB	Number 09 15 100 0482		Rev. B	Page 1/1