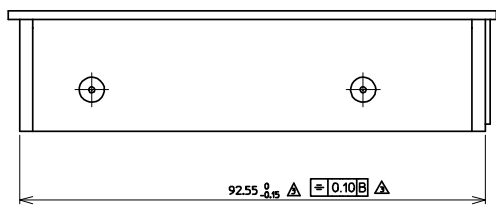
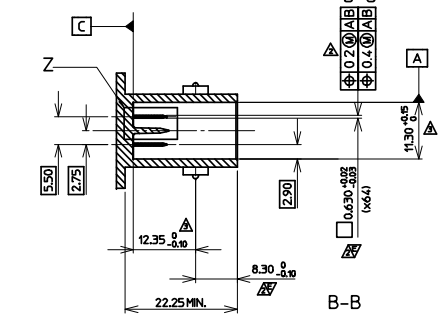
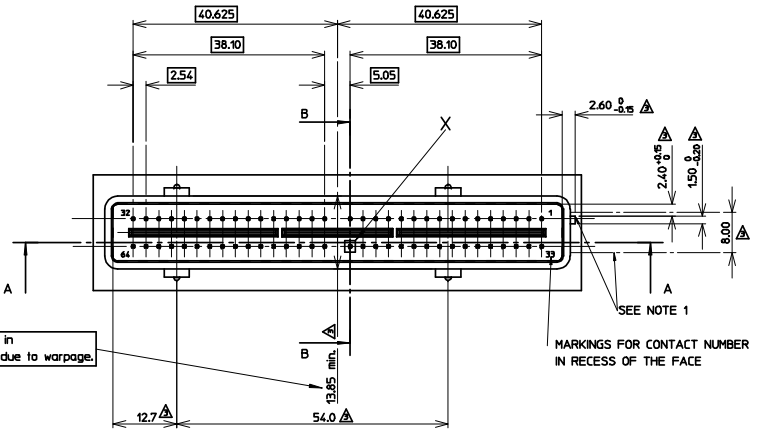
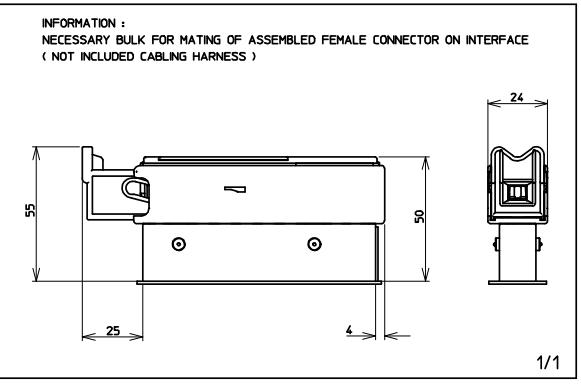


Minimum dimension allowed in the middle of the header due to warpage.



NOTE 1: REMOVABLE PART IN THE MOLD FOR 4 ALLOWED DIFFERENT CODINGS (1 RIB BY PART) FIRST PARTS ARE MADE WITHOUT CODING

RETENTION FORCE OF PIN TERMINALS = 25 N. MIN
 TENSILE STRENGTH OF PLASTIC MATERIAL - 120 MPa MIN
 MATERIAL OF PIN TERMINALS - CuFe2P or CuSn6
 PIN SURFACE TREATMENT :
 0.3 μm MIN. Au Co OVER 1 μm MIN. Ni
 GOLD AS PER ASTM B488-95 TYPE 2 GRADE C
 TEMPERATURE CLASS = 1
 VIBRATION CLASS = 1
 SEALING CLASS = 0
 CONFORMITY WITH SPEC - RSA-36-05-019 REV.--E



| | | | | | | |
|--|---------------------------------------|-------------------------|---|---------------------|---------------------------------------|---------------------------|
| New positioning tolerance EC NO: GZ008-0246 DRAWN: GRANDCL 2007/12/17 CHKD: MANDRE 2007/12/17 APPR: LSTICKEIR 2007/12/17 | GENERAL TOLERANCES (UNLESS SPECIFIED) | | SCALE 2:1 | DESIGN UNITS METRIC | FIRST ANGLE PROJECTION | REVISE ON CAD ONLY |
| | 4 PLACES ± --- ± --- | DIMENSION STYLE MM ONLY | DRAWN BY MANDRE | DATE 2000/11/17 | TITLE HEADER 64 WAY INTERFACE DRAWING | |
| | 3 PLACES ± --- ± --- | 2 PLACES ± 0.05 ± --- | CHECKED BY LSTICKEIR | DATE 2000/11/17 | MOLEX INCORPORATED | |
| | 1 PLACE ± 0.10 ± --- | ANGULAR ± 1/2° | APPROVED BY WMORITZ | DATE 2000/11/17 | MATERIAL NO. N/A | DOCUMENT NO. SD-98599-006 |
| DRAFT WHERE APPLICABLE MUST REMAIN WITHIN DIMENSIONS | | | THIS DRAWING CONTAINS INFORMATION THAT IS PROPRIETARY TO MOLEX INCORPORATED AND SHOULD NOT BE USED WITHOUT WRITTEN PERMISSION | | A1 | |