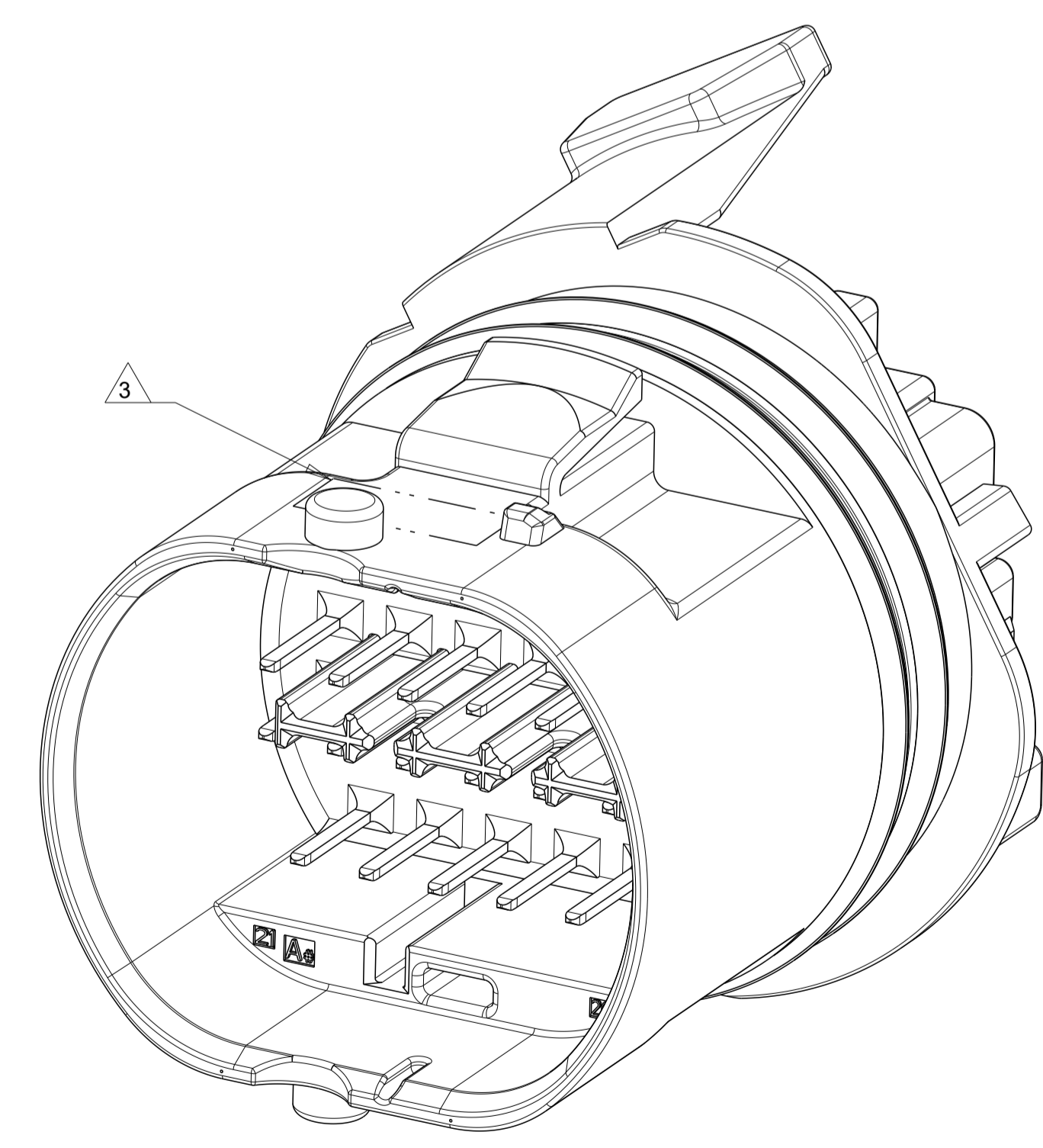
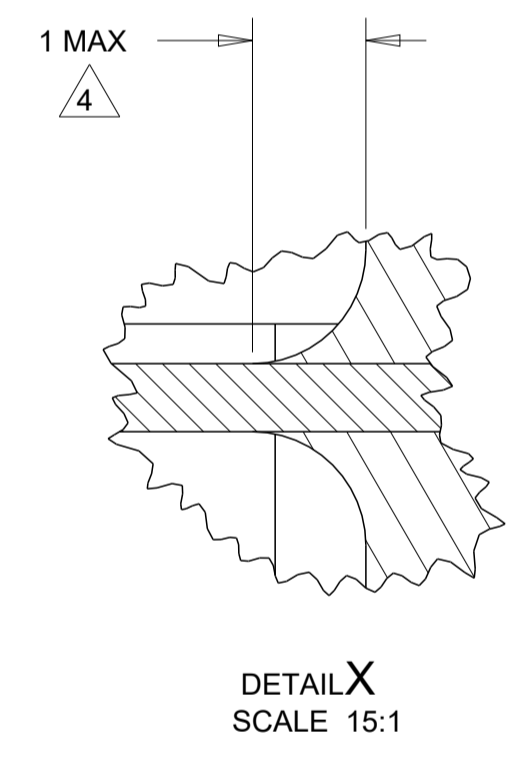
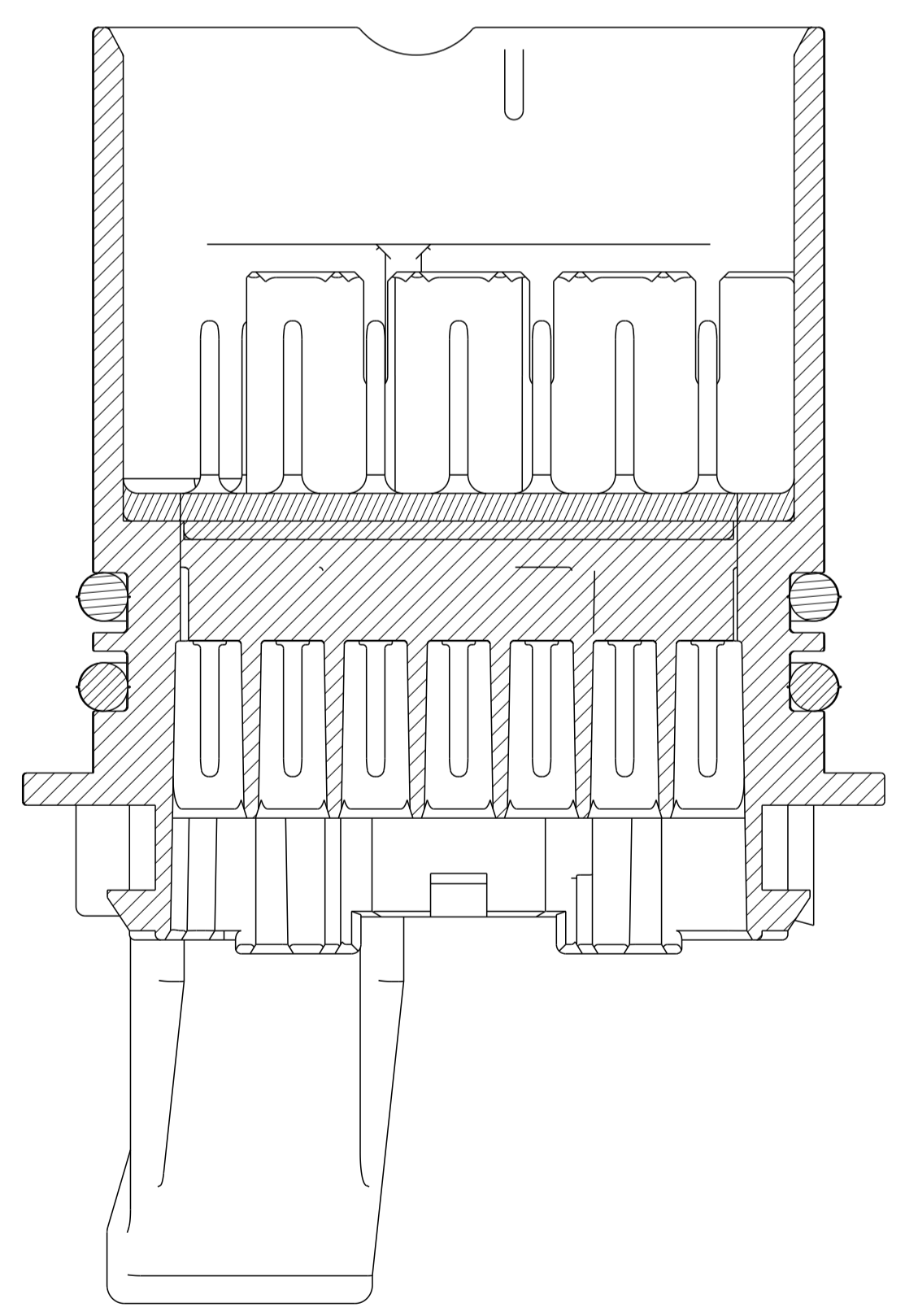
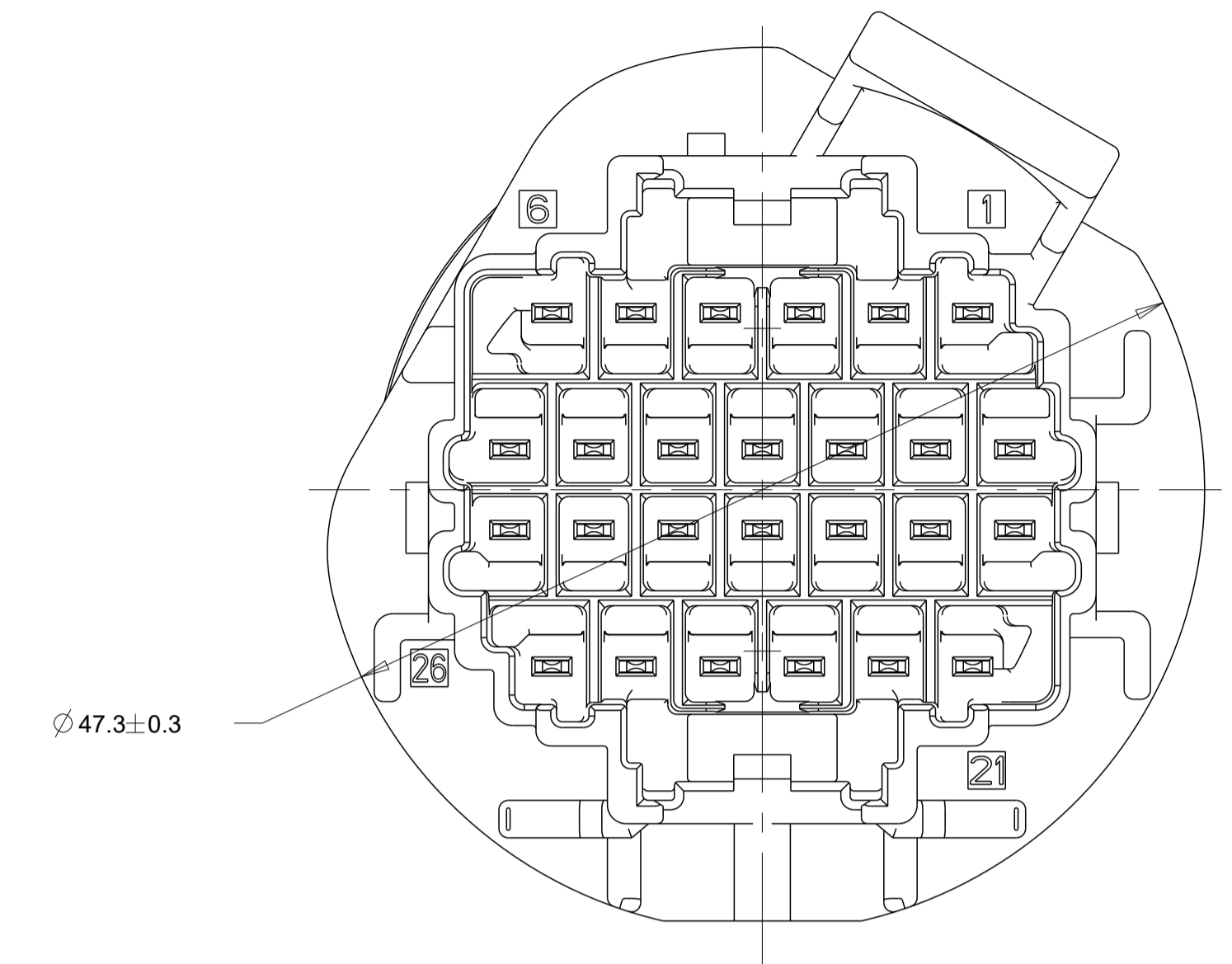
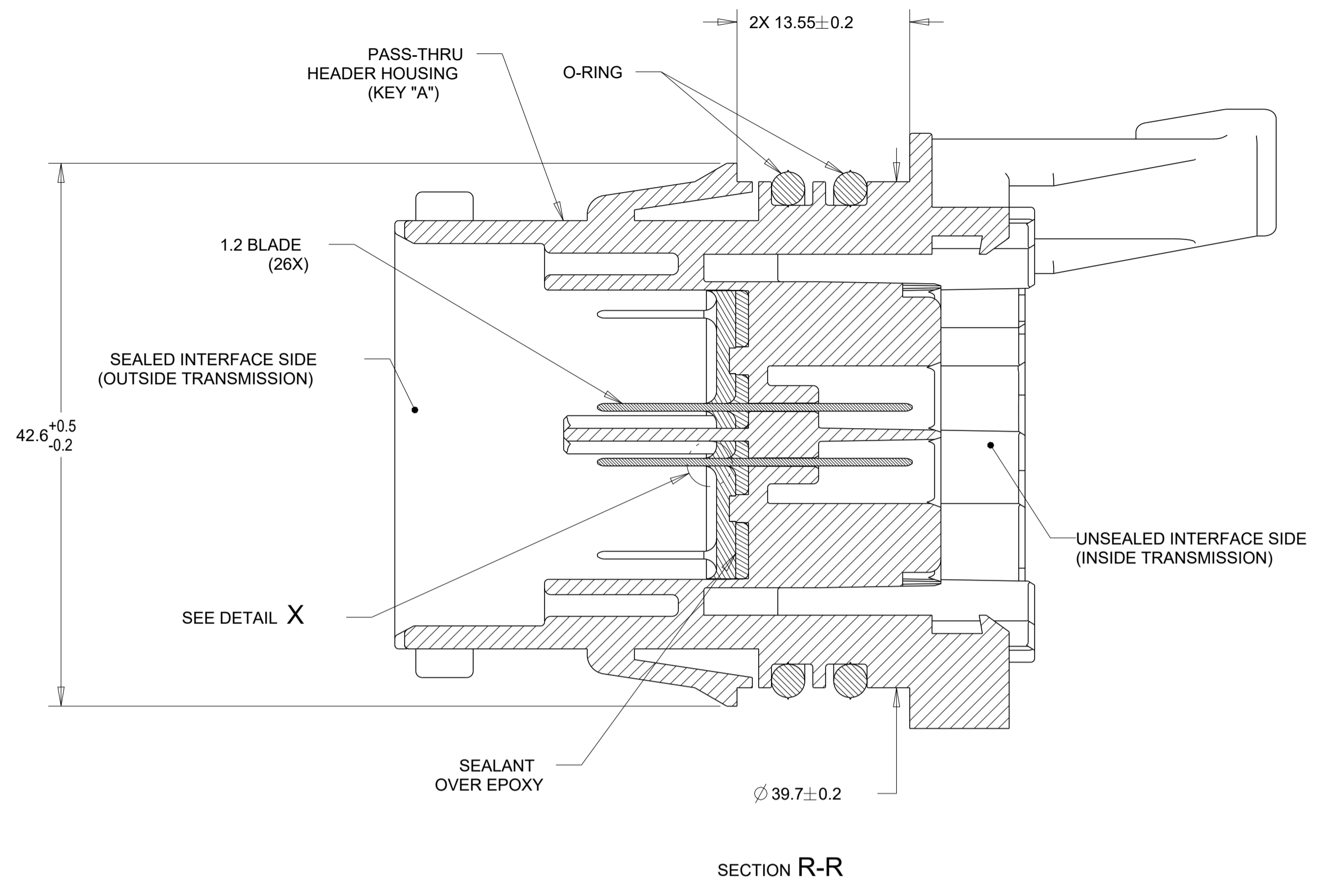
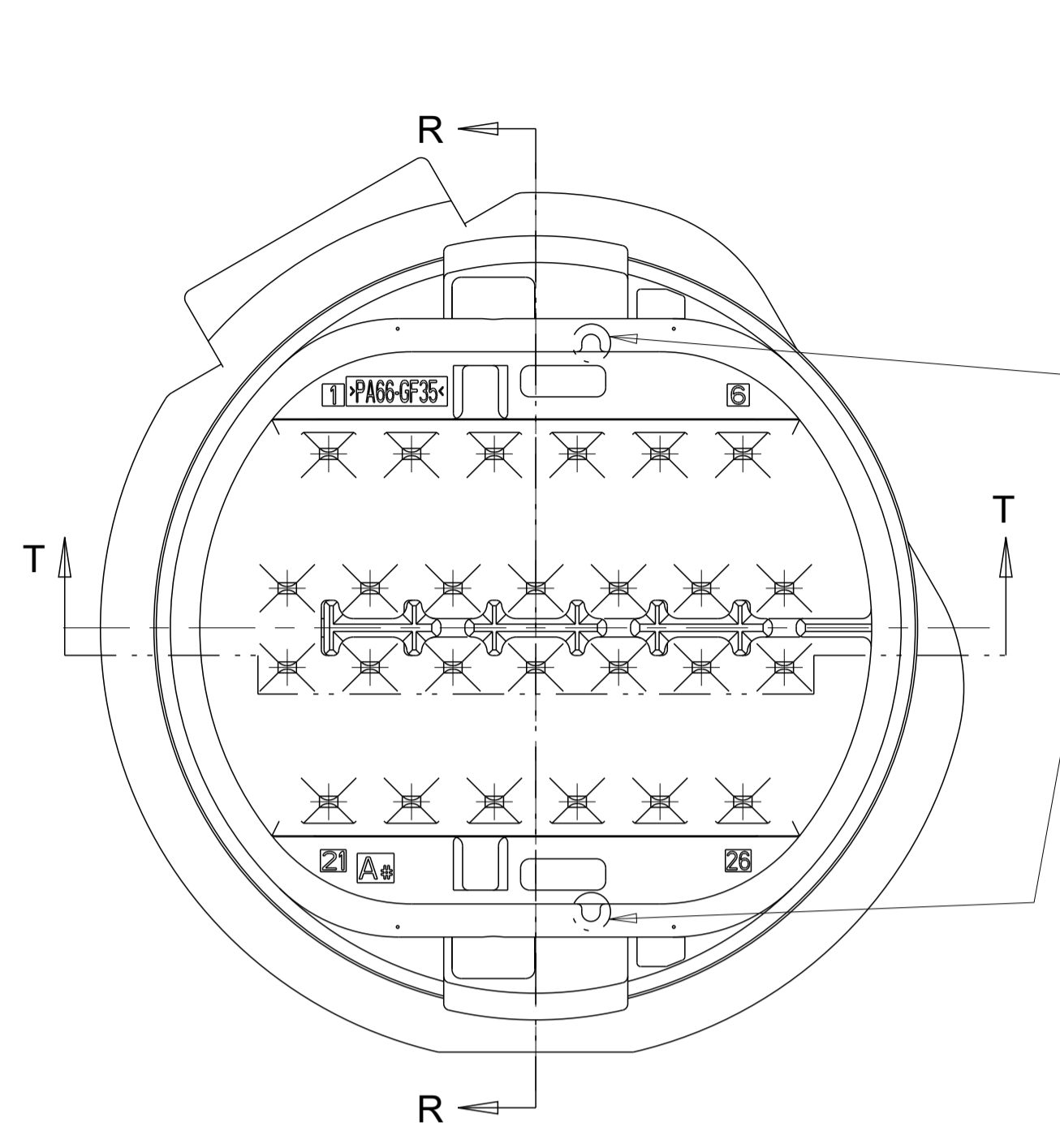


REVISIONS					
P	LTR	DESCRIPTION	DATE	DWN	APVD
A		RELEASE	12NOV2015	AJV	AJV
B		REV PER ECO-16-007597	19MAY2016	MBH	AJV
B1		REV PER ECO-16-013980	05OCT2016	AJV	AJV
B2		REVISED PER ECO-18-003248	02MAR2018	JMS	GK

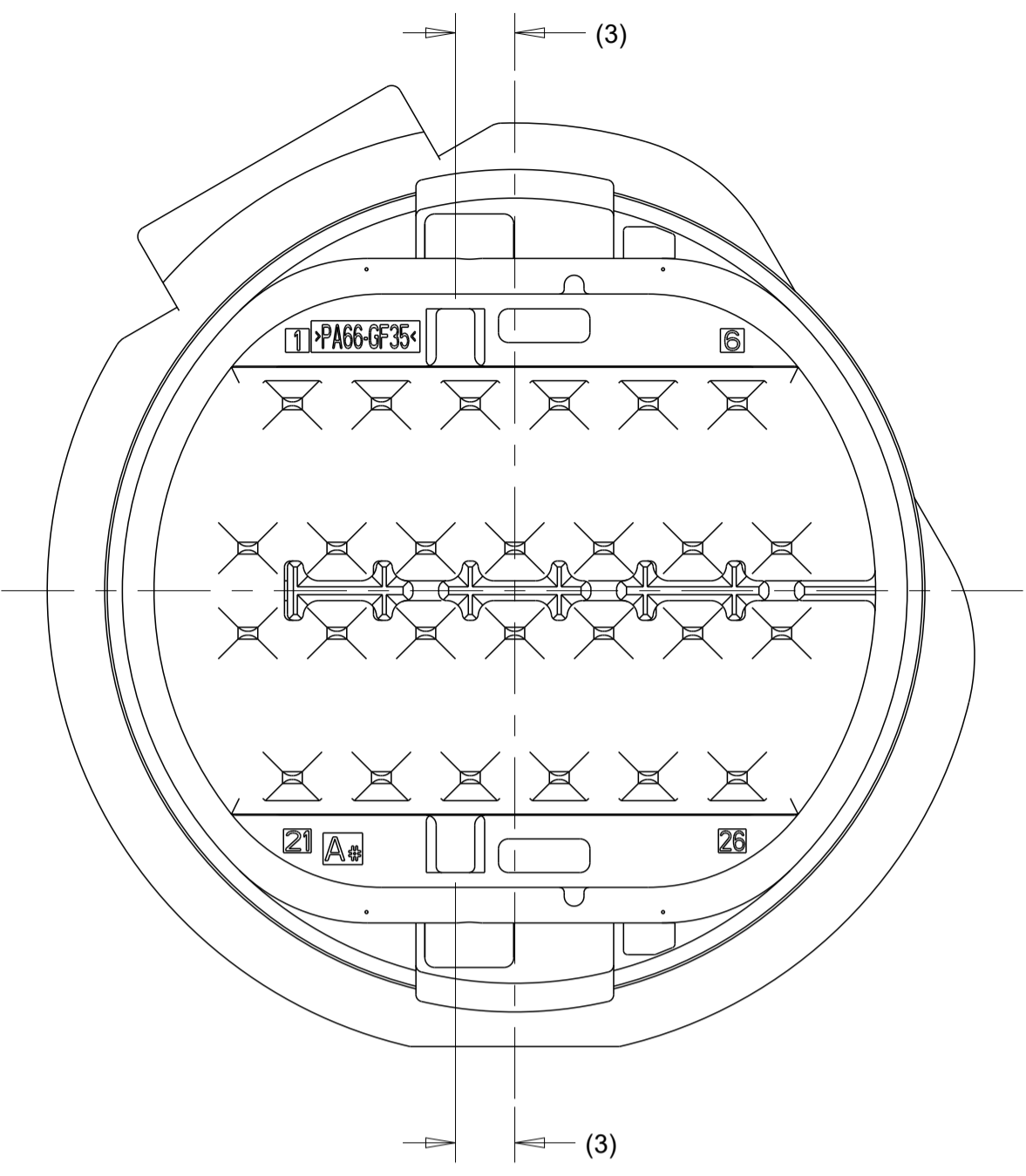


- MATERIAL:**  
 HEADER HOUSING: NYLON 6/6, 35% GLASS-FILLED  
 COLOR: NATURAL (BROWN)  
  
 SEALANT: EPOXY WITH LOCTITE 5031 LAYER ON TOP  
 (OUTSIDE TRANSMISSION)  
  
 O-RING: ETHYLENE ACRYLATE ELASTOMER (AEM)  
 COLOR: BLACK  
  
 BLADE MATERIAL: COPPER ALLOY  
 BLADE FINISH: SEALED INTERFACE: SILVER ON ALL EXCEPT SELECT  
 GOLD CIRCUITS (SEE TABLE)  
 UNSEALED INTERFACE: TIN ON ALL EXCEPT SELECT  
 GOLD CIRCUITS (SEE TABLE)
- THIS HEADER ASSEMBLY IS DESIGNED TO MATE WITH**  
 SEALED PLUG ASSY: 2203973  
 UNSEALED PLUG ASSY: 2203990-1 & -2
- TE ASSY PART NUMBER AND JULIAN DATE CODE (YY-DDD-HH-MM) TO BE PERMANENTLY MARKED ON THE CONNECTOR, LOCATED APPROX AS SHOWN**
- SEALANT MAY WICK UP THE TERMINALS, 1.0 MAX AS SHOWN**

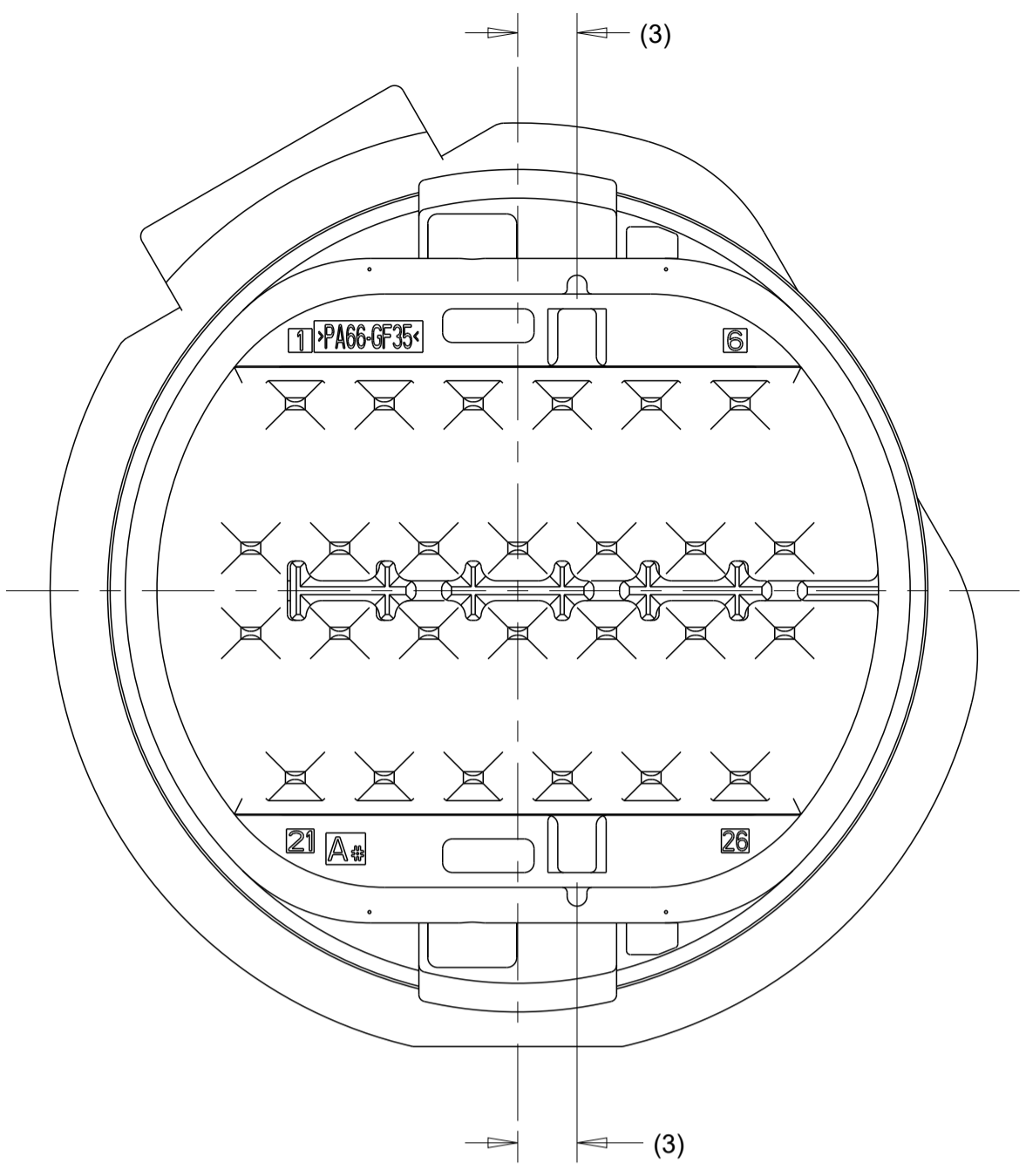
LOCATIONS	STATUS	KEYING OPTION	TE PART #
5,6	TOOLED	A	1-2297721-1
1-6,12,13	TOOLED	A	2297721-6
5,6	TOOLED	A	2297721-5
5,6	NOT TOOLED	D	2297721-4
5,6	NOT TOOLED	C	2297721-3
5,6	NOT TOOLED	B	2297721-2
	OBSELETE	A	2297721-1

THIS DRAWING IS A CONTROLLED DOCUMENT.		DWN A. VASBINDER 12NOV2015		
DIMENSIONS: min		CHK A. VASBINDER 12NOV2015		
TOLERANCES UNLESS OTHERWISE SPECIFIED:		APVD R. HETRICK 12NOV2015	NAME 26P SEALED PASS THRU (MCON 1.2) TRANSMISSION HEADER ASSEMBLY	
0 PLC ±		PRODUCT SPEC	SIZE A1	
1 PLC ±0.3		APPLICATION SPEC	CAGE CODE -	
2 PLC ±0.1		408-32149	DRAWING NO 2297721	
3 PLC ±		WEIGHT	RESTRICTED TO	
4 PLC ±		Customer Drawing	SCALE 3:1	
FINISH			SHEET 1 OF 3	
			REV B2	

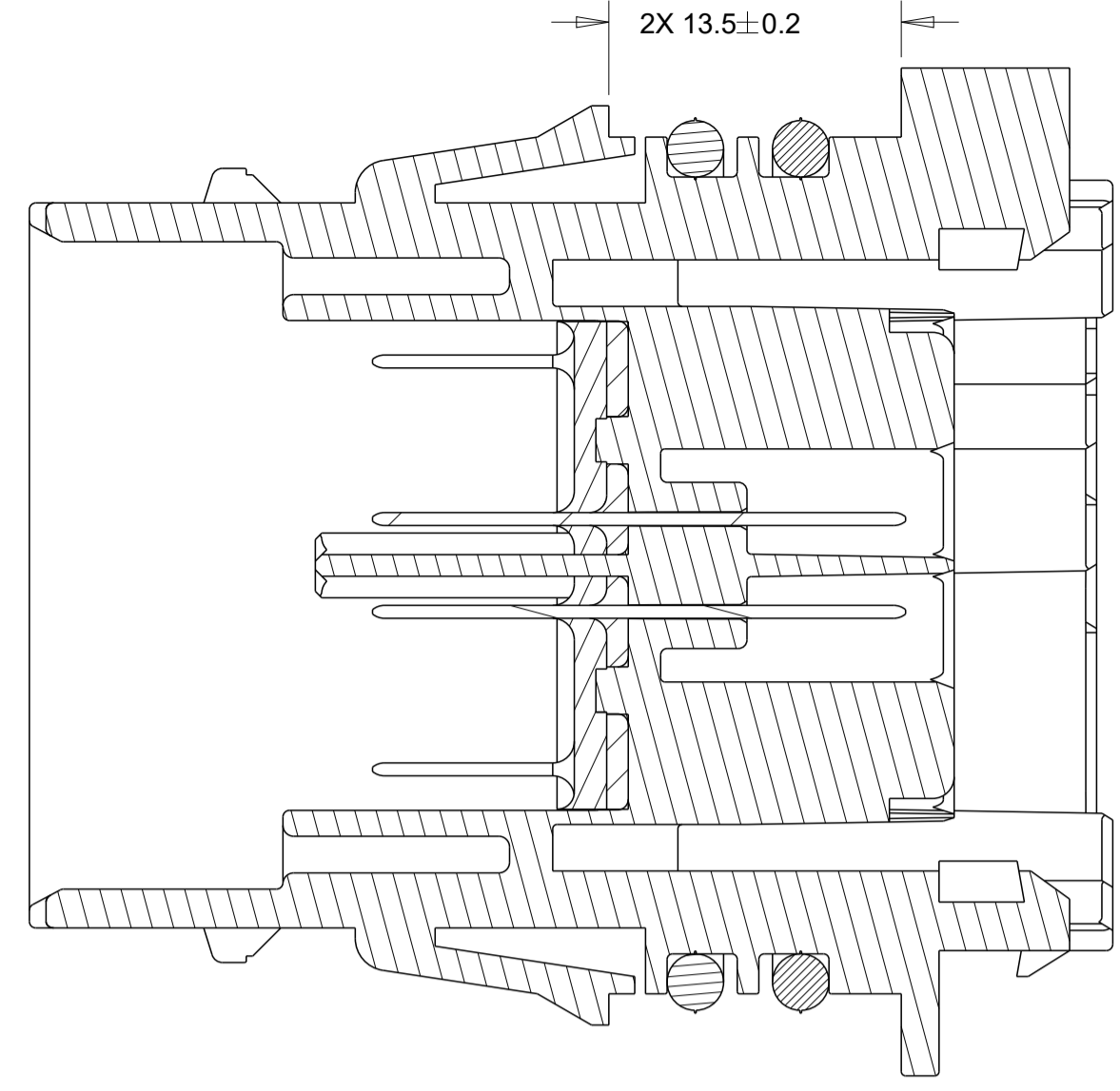
REVISIONS				
P	LTR	DESCRIPTION	DATE	APVD
-		SEE SHEET 1	-	-



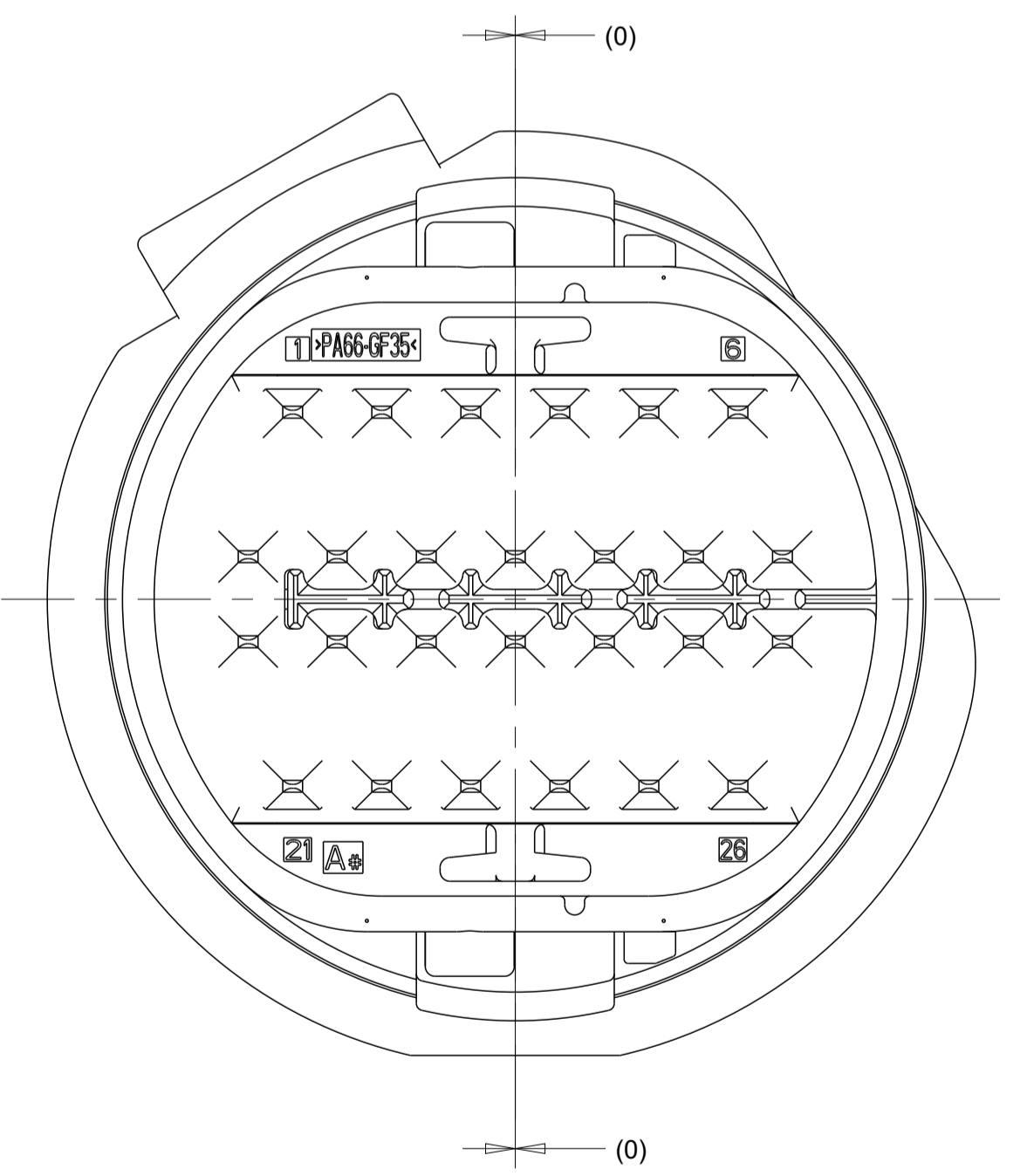
1-2297721-1, 2297721-5, 2297721-6  
**KEYING OPTION "A"**  
 SCALE 3:1



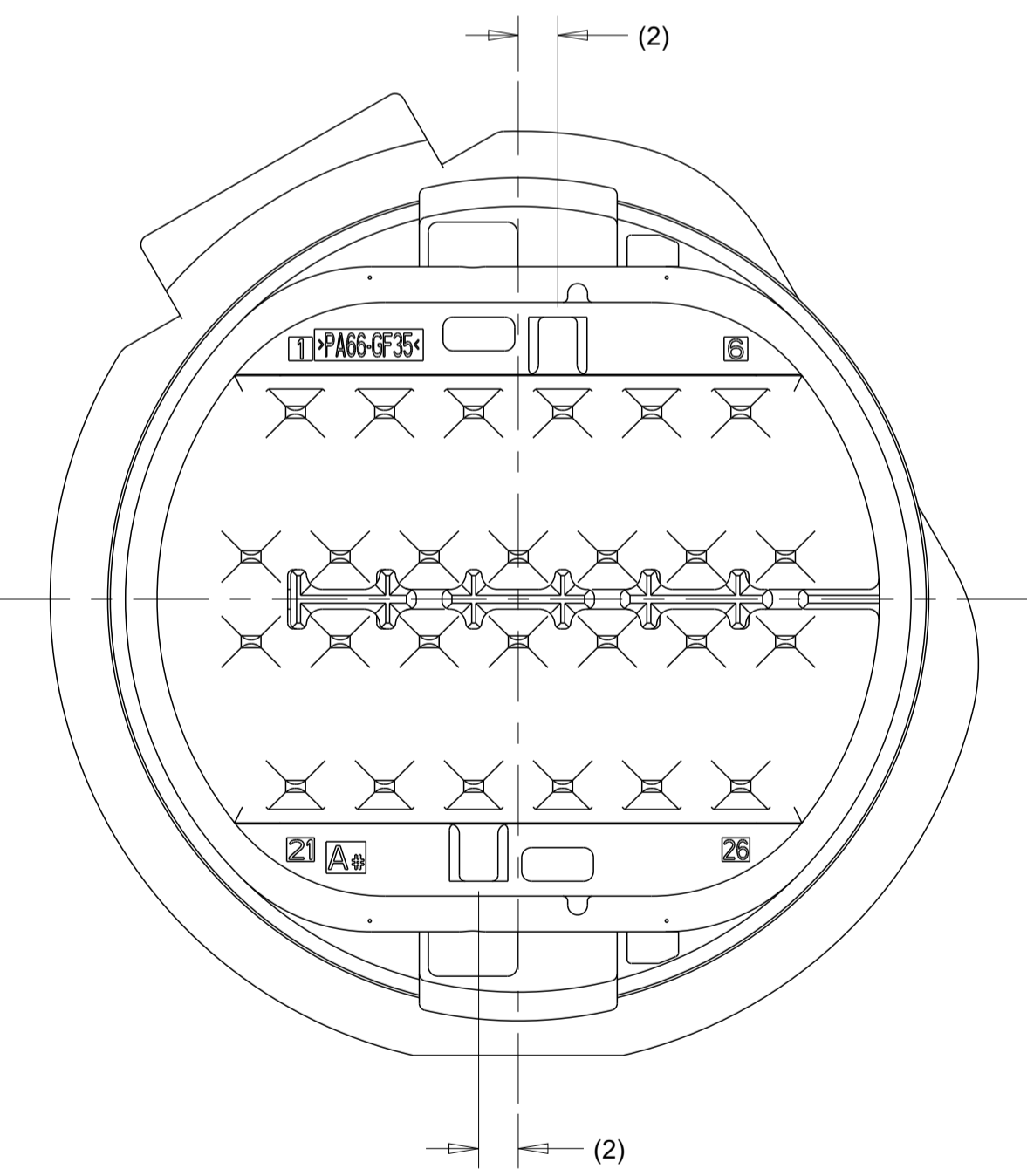
2297721-2  
**KEYING OPTION "B"**  
 SCALE 3:1



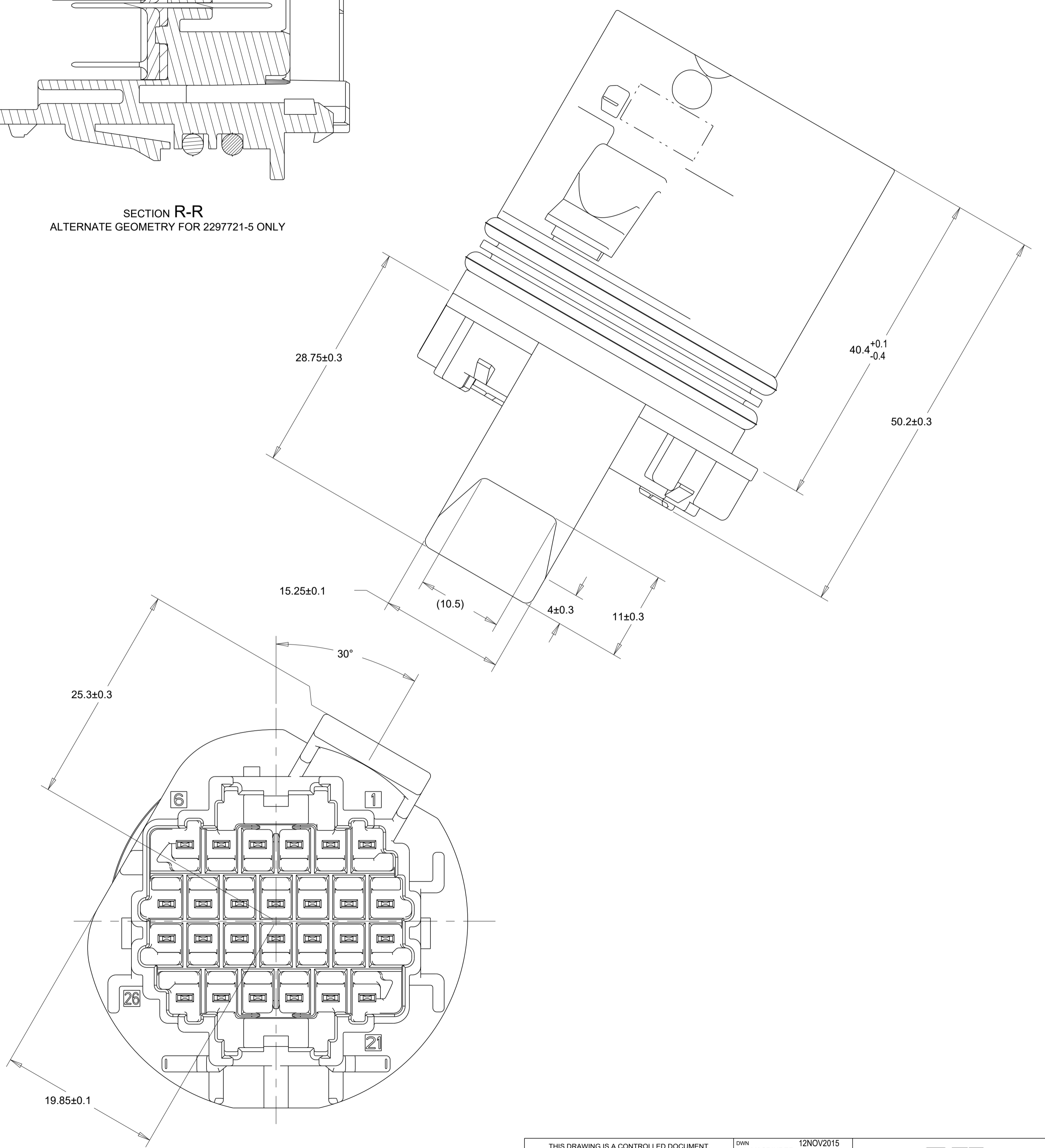
**SECTION R-R**  
 ALTERNATE GEOMETRY FOR 2297721-5 ONLY



2297721-3  
**KEYING OPTION "C"**  
 SCALE 3:1

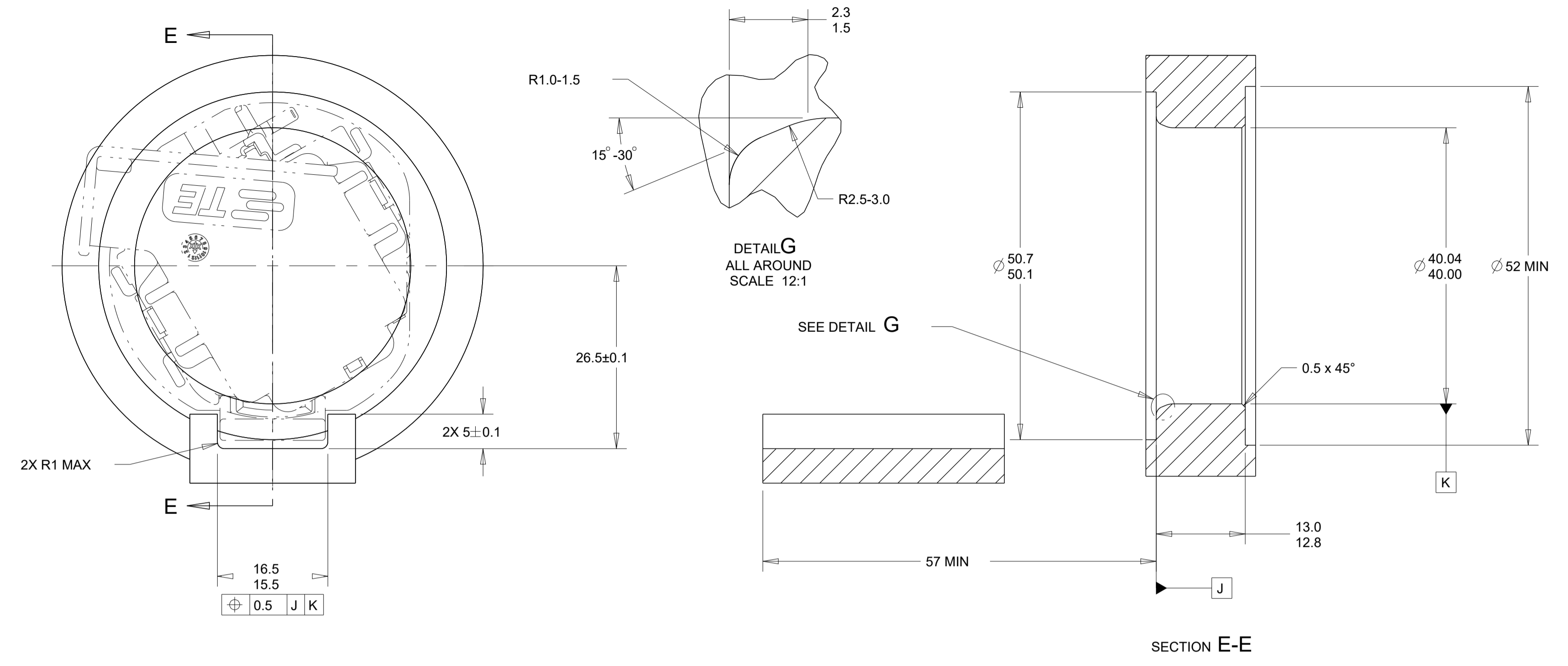


2297721-4  
**KEYING OPTION "D"**  
 SCALE 3:1

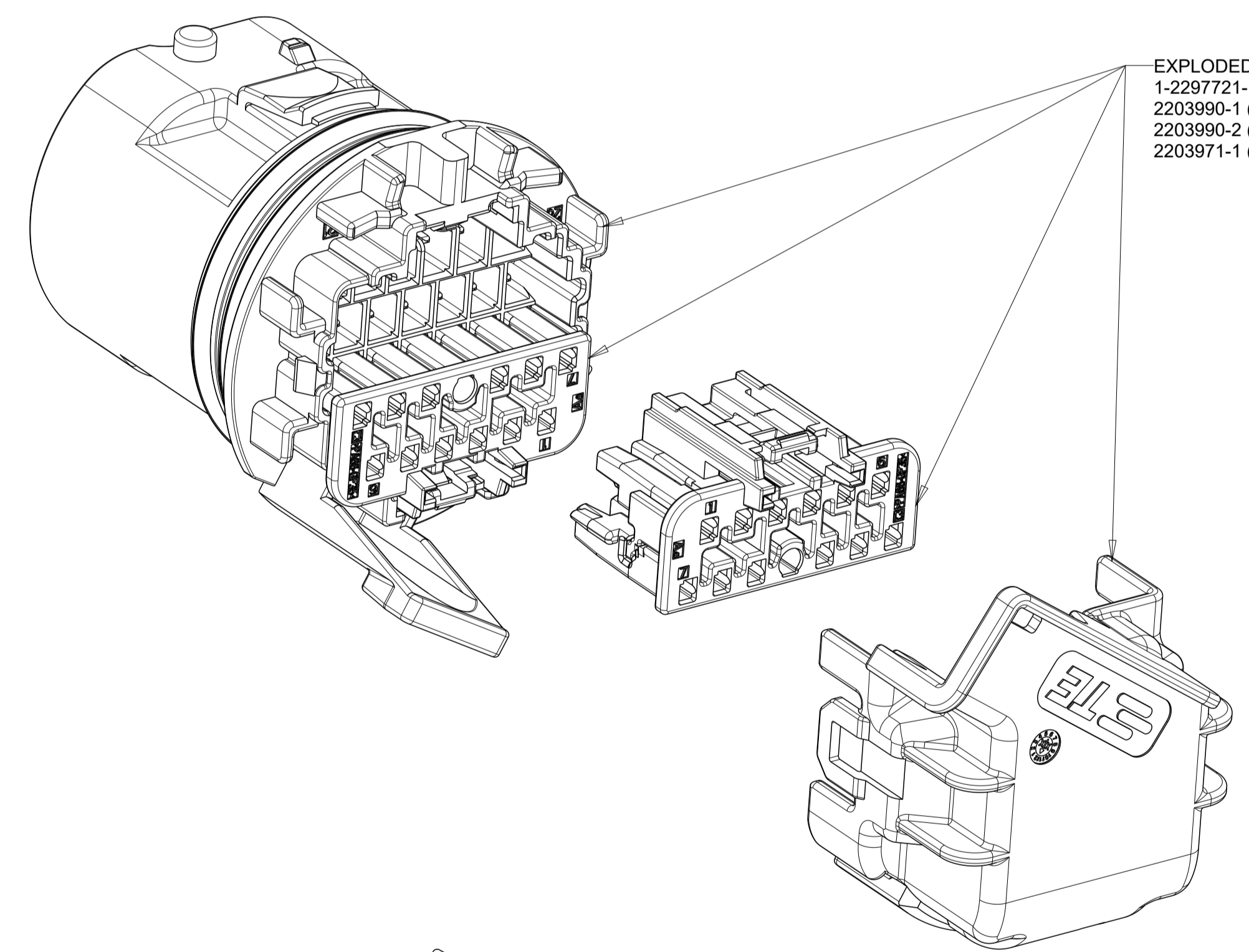
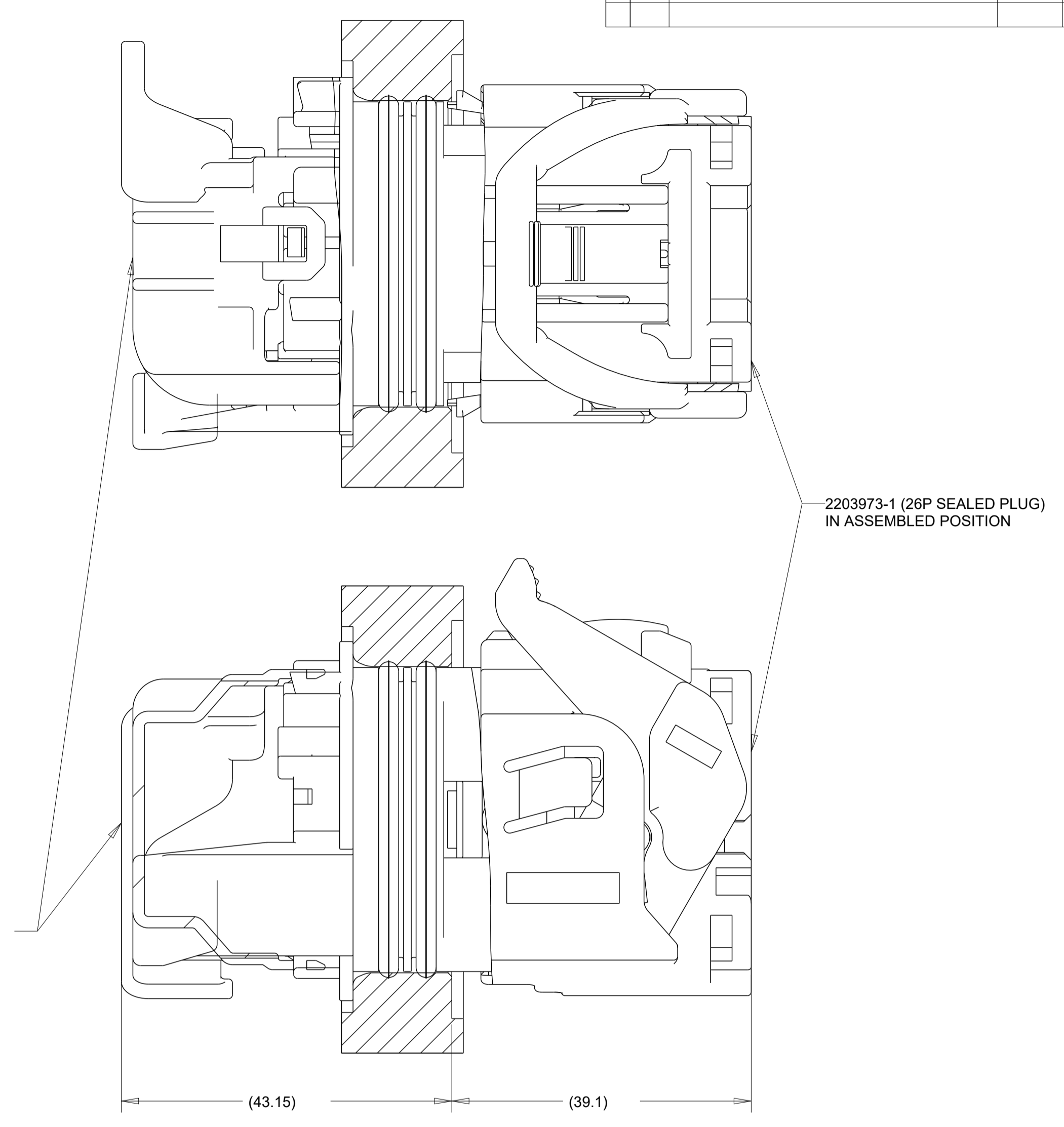


THIS DRAWING IS A CONTROLLED DOCUMENT.		DWN: A. VASBINDER 12NOV2015	
DIMENSIONS: min		CHK: A. VASBINDER 12NOV2015	
TOLERANCES UNLESS OTHERWISE SPECIFIED:		APVD: R. HETRICK 12NOV2015	NAME: 26P SEALED PASS THRU (MCON 1.2) TRANSMISSION HEADER ASSEMBLY
0 PLC ±	1 PLC ±0.3	PRODUCT SPEC: -	APPLICATION SPEC: -
2 PLC ±0.1	3 PLC ±	408-32149	408-32149
4 PLC ±	ANGLES ±0°	WEIGHT: -	Customer Drawing
MATERIAL: SEE NOTE 1		FINISH: -	RESTRICTED TO: -
		SIZE: A1	SCALE: 3:1
		CAGE CODE: -	DRAWING NO: 2297721
		REV: B2	SHEET 2 OF 3

**RECOMMENDED MOUNTING HOLE DETAIL**  
**MATERIAL: CAST ALUMINUM OR SIMILAR**



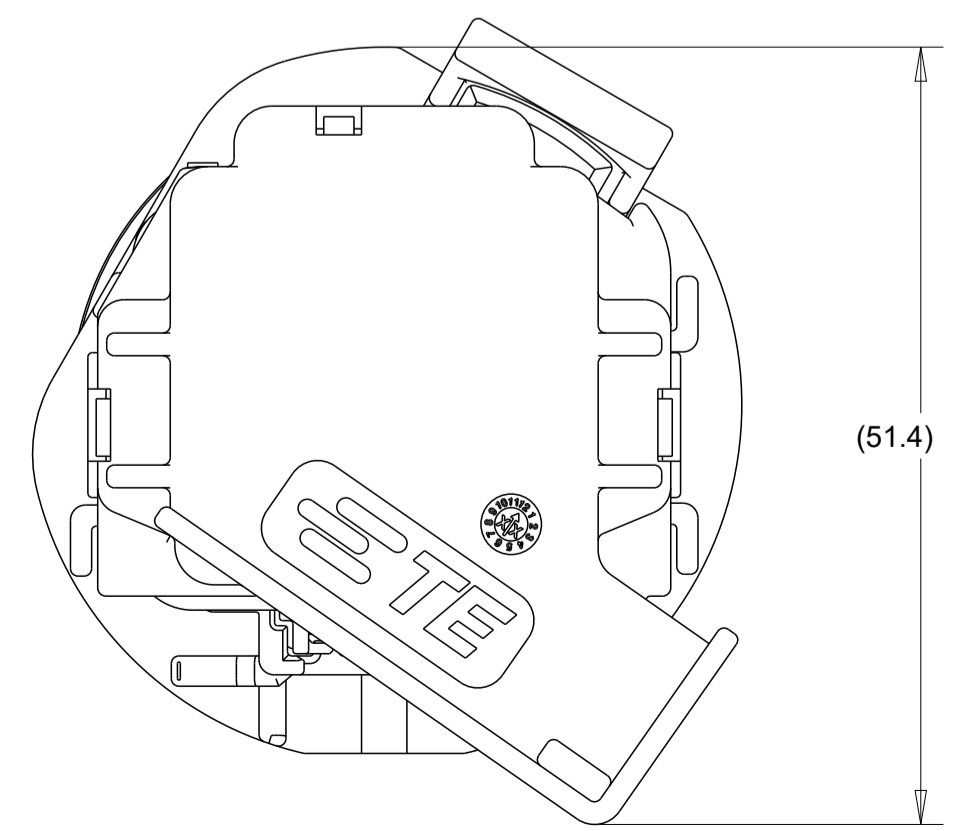
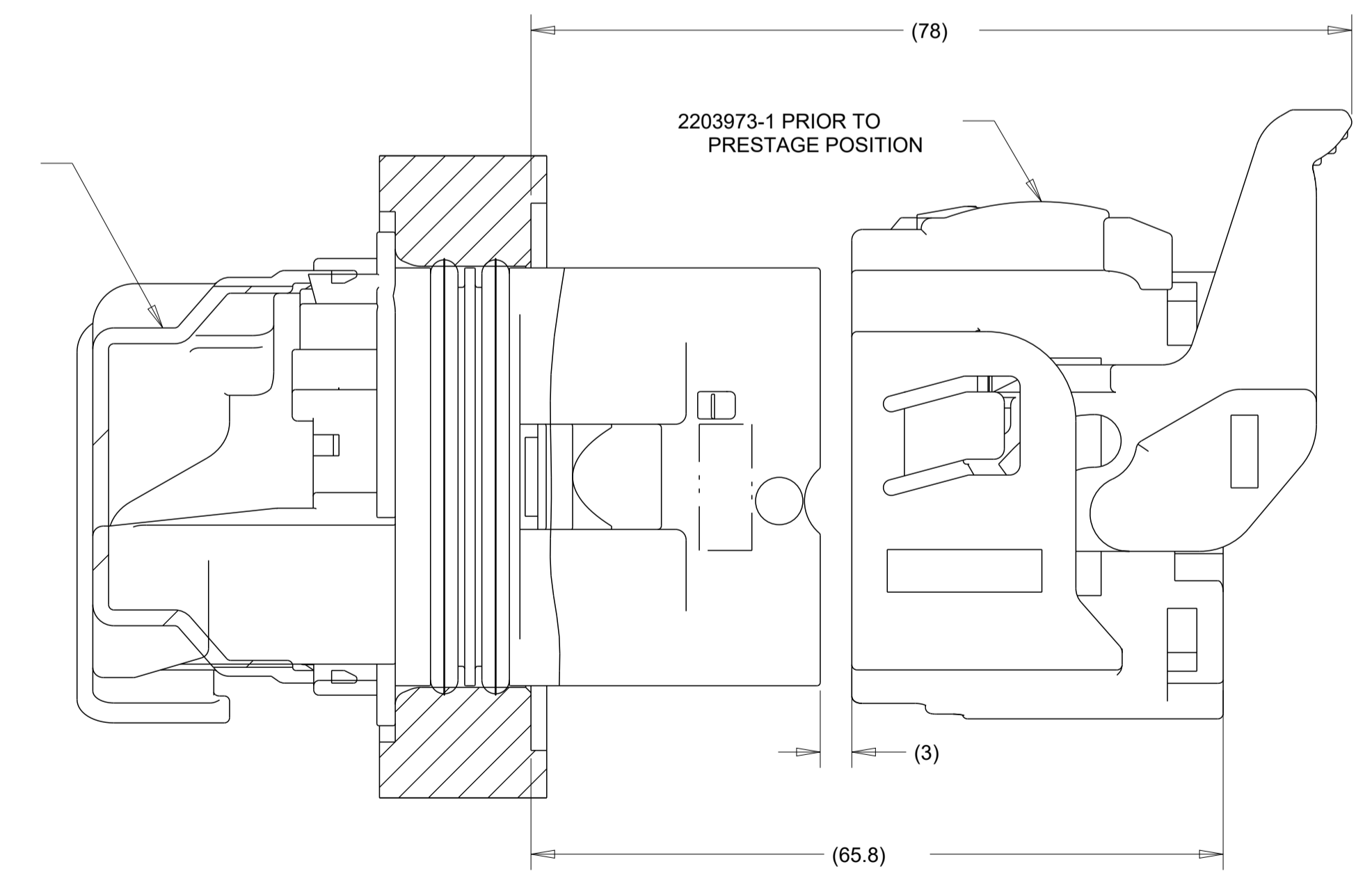
REVISIONS					
P	LTR	DESCRIPTION	DATE	DWN	APVD
-	-	SEE SHEET 1	-	-	-



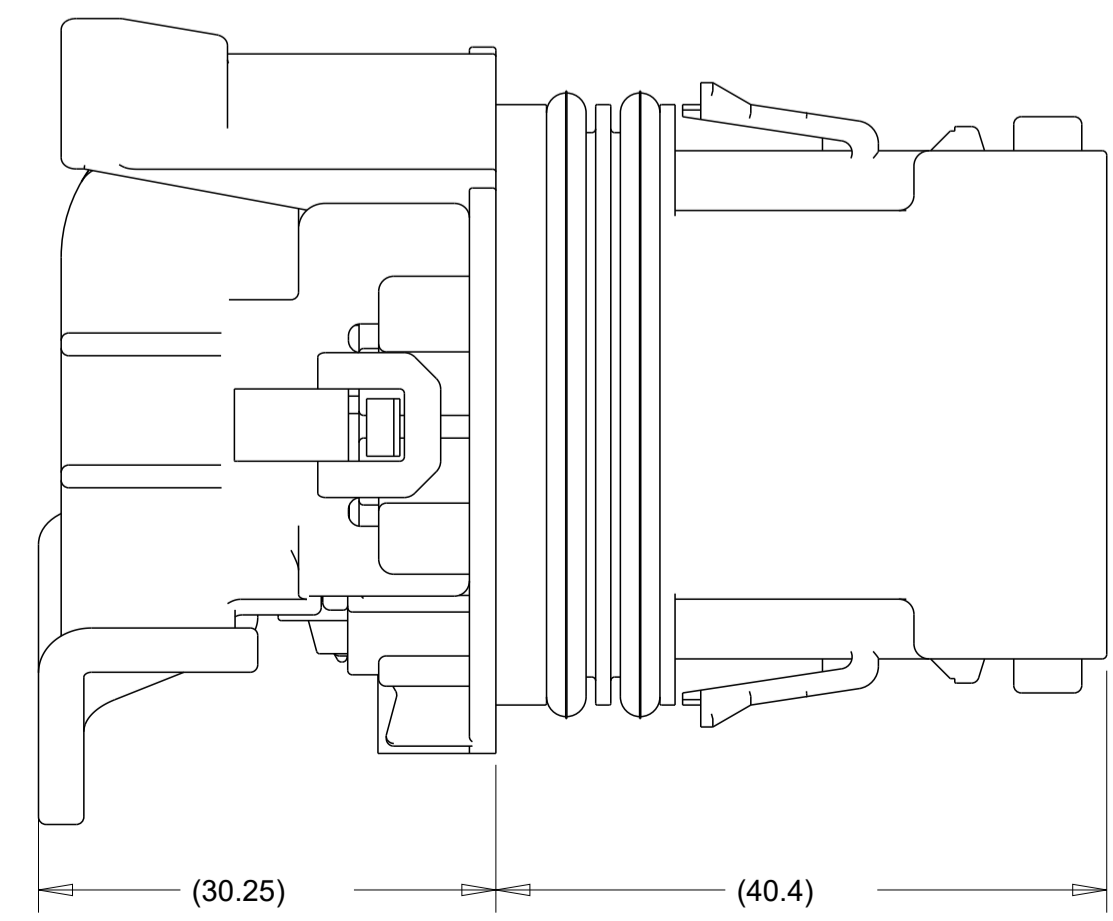
EXPLODED VIEW:  
 1-2297721-1 SHOWN WITH APPLICABLE COMPONENTS  
 2203990-1 (13P PLUG KEY A)  
 2203990-2 (13P PLUG KEY B)  
 2203971-1 (26P WIRE DRESS)

1-2297721-1 WITH  
 WIRE DRESS 2203971-1  
 IN ASSEMBLED POSITION

1-2297721-1 WITH  
 WIRE DRESS 2203971-1  
 IN ASSEMBLED POSITION



1-2297721-1 SHOWN WITH APPLICABLE  
 COMPONENTS IN ASSEMBLED POSITION



THIS DRAWING IS A CONTROLLED DOCUMENT.		DWN A. VASBINDER 12NOV2015	TE Connectivity	
DIMENSIONS: min		CHK A. VASBINDER 12NOV2015	NAME R. HETRICK 12NOV2015	
TOLERANCES UNLESS OTHERWISE SPECIFIED:		PRODUCT SPEC		
0 PLC ±		APPLICATION SPEC		
1 PLC ±0.3		408-32149		
2 PLC ±0.1		WEIGHT		
3 PLC ±		A1		
4 PLC ±		Customer Drawing		
ANGLES ±°		SCALE 1:1		
FINISH		SHEET 3 OF 3		
SEE NOTE 1		REV B2		