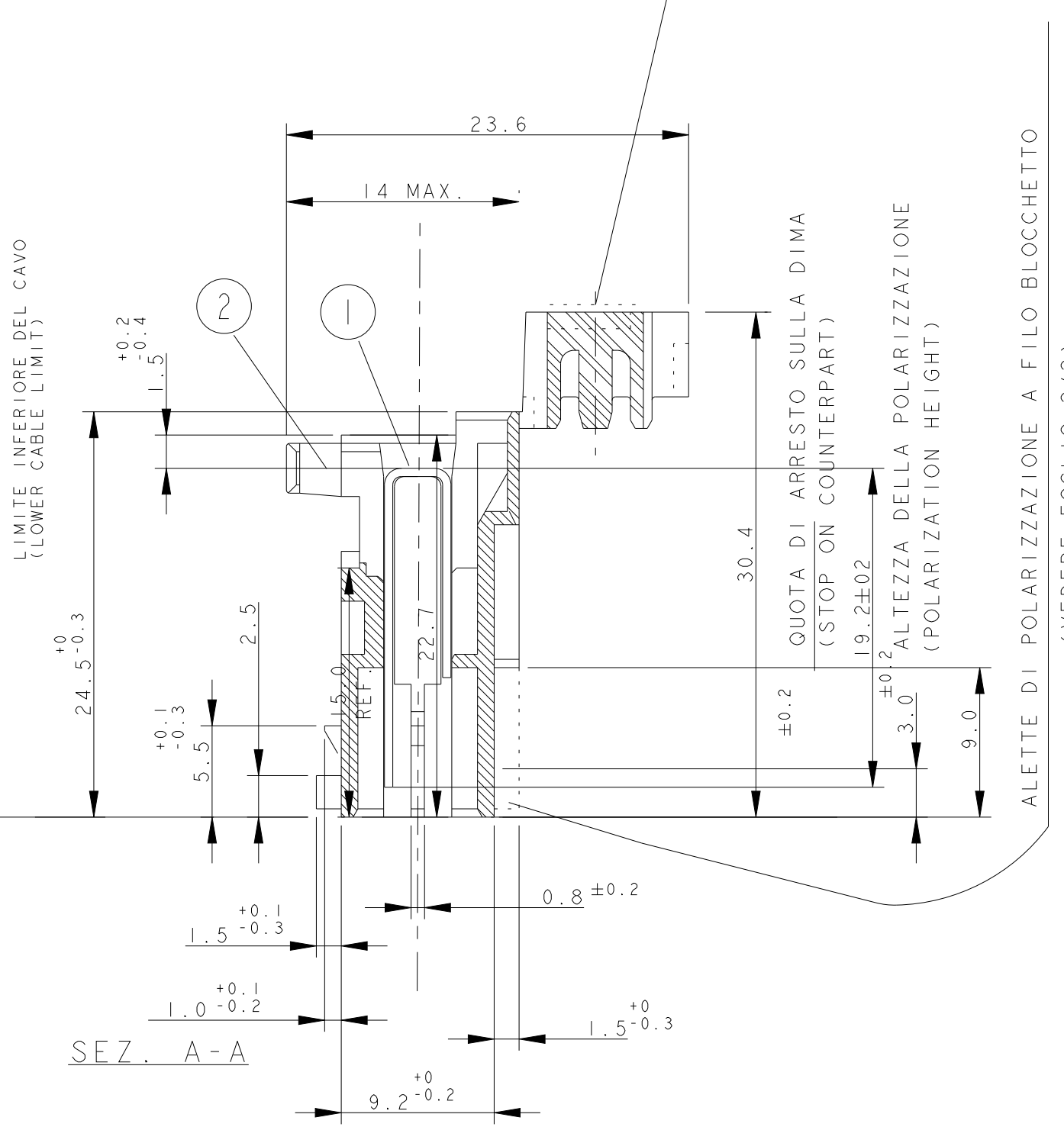


VISTE SOLO PER RIFERIMENTO
 VIEWS ONLY FOR REFERENCE

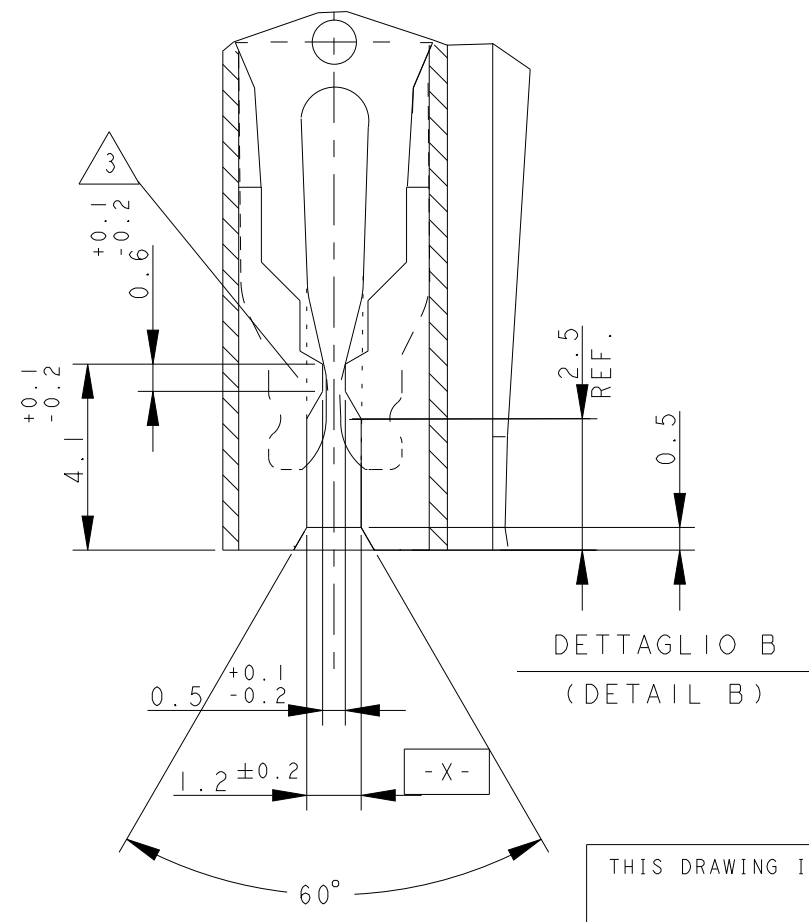
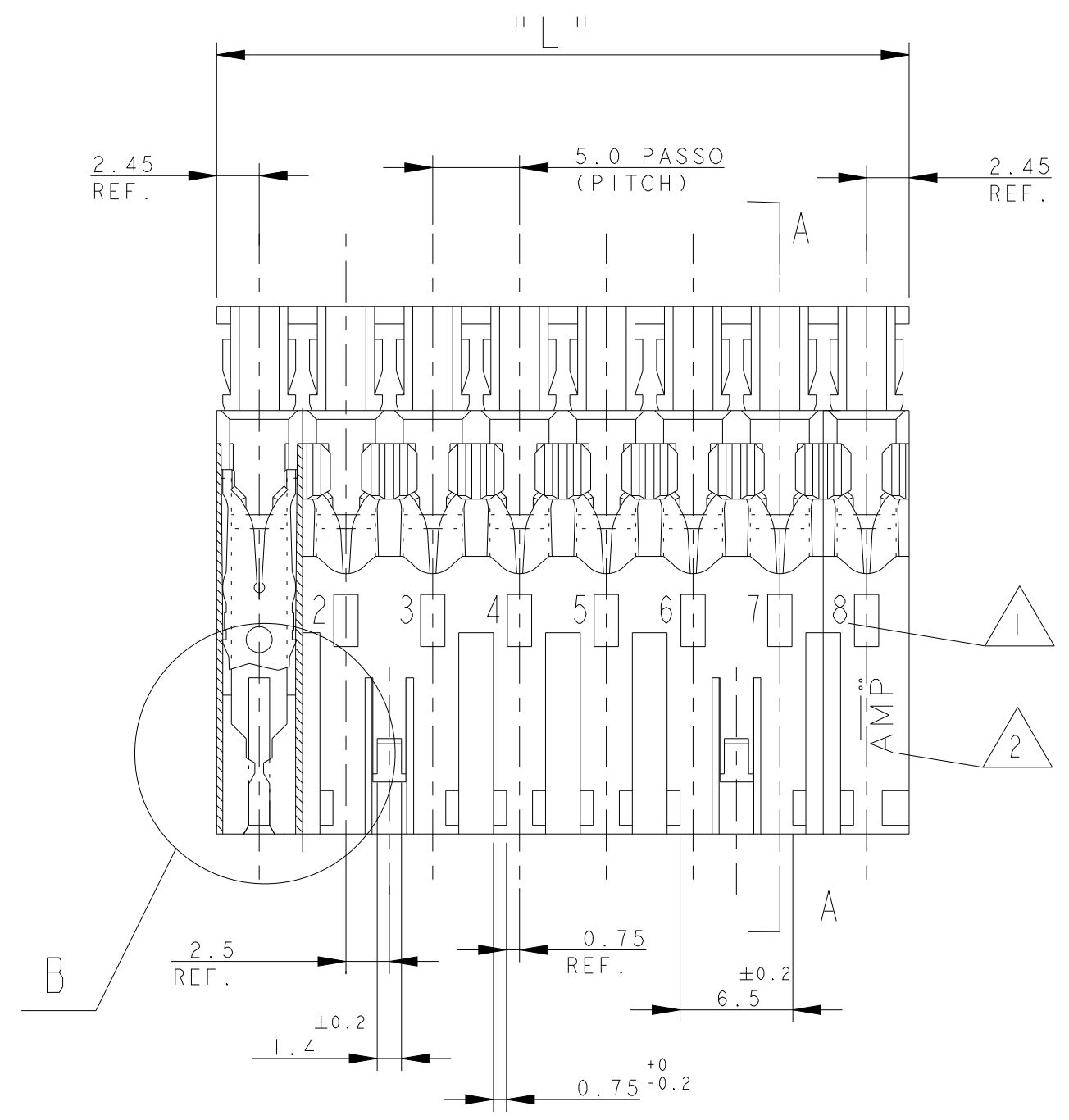
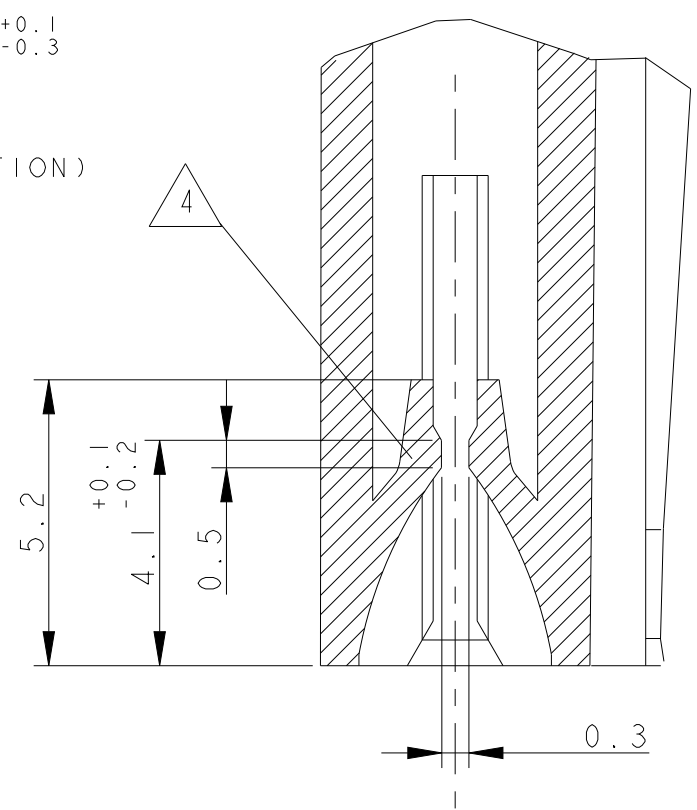
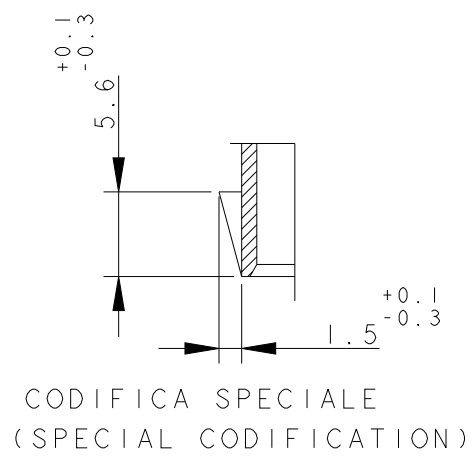
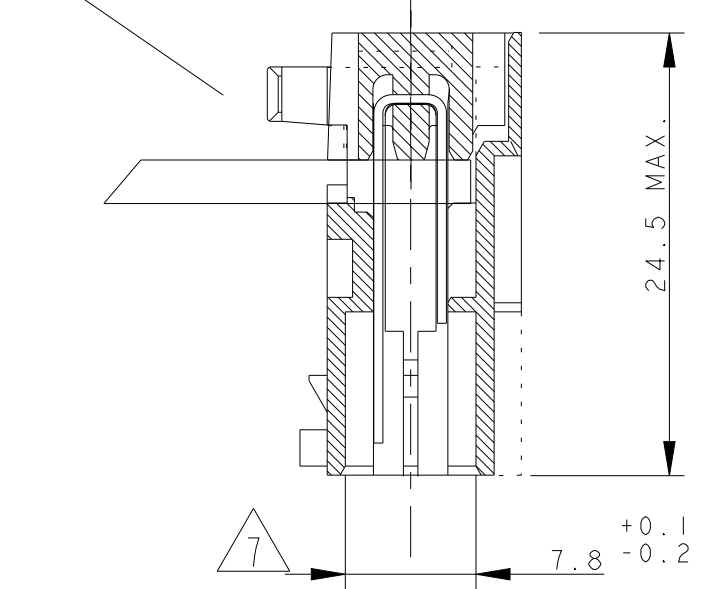
REVISIONS				
P	LTR	DESCRIPTION	DATE	APVD
D16		REVISED PER ECR-18-019751	20DEC2018	BDA DC
D17		REVISED PER ECR-19-012208	05AUG2019	SM DC
D18		REVISED PER ECR-19-013580	30AUG2019	BDA DC
D19		ECR-23-166323	03MAR2023	DC FL

COLOR CODE STRIP ALLOCATO IN QUESTA AREA DEL COVER
 (COLOR CODE STRIP)
 (LOCATED ON THE COVER AS SHOWN)



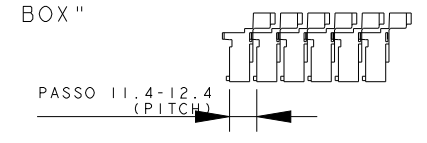
ALETTE DI POLARIZZAZIONE A FILO BLOCCHETTO
 (POLARIZATION RIBS AT THE END OF CONNECTOR)
 (VEDERE FOGLIO 2/2)
 (SEE SHEET 2 OF 2)

CONNETTORE COMPLETO DI CAVO
 (TERMINATED CONNECTOR)



- 1) NUMERI DI IDENTIFICAZIONE CAVITA' (CIRCUIT IDENTIFICATION)
- 2) MARCHIO DI FABBRICA (LIBERA POSIZIONE) (AMP LOGO FREE POSITION)
- 3) L'AGGANCIO PER LINGUETTA E' POSIZIONATO SOLO NELLA CAVITA' No.1 ED E' RICHIESTA SOLO SUI CONNETTORI A 2 E 3 POSIZIONI (RETENTION TOOTH IS REQUESTED FOR THE 2 AND 3 POS. ONLY; IT IS LOCATED ON THE CAVITY No.1 ONLY)
- 4) GEOMETRIA ALTERNATIVA DEL DENTINO DI AGGANCIO. VEDI NOTA 3 PER ALTRI DETTAGLI (ALTERNATIVE SHAPE FOR RETENTION THOOTH. SEE NOTE 3 FOR ADDITIONAL DETAILS.)
- 5) PER QUESTI P-N LA POLARIZZAZIONE POSTERIORE DEVE INTENDERSI COMPLETA, A FINE BLOCCHETTO. (per la rappresentazione vedere foglio 1/2) (FOR THE INDICATE P.N'S THE POLARIZATION MUST BE AT THE END OF CONNECTOR)(see sheet 1 of 2).
- 6) - PART NUMBER NON IN PRODUZIONE (P/N. NOT YET RELEASED FOR PRODUCTION)
- 7) DIVENTA 6.5 PER LA CAVITA' N.RO 1 SOLO SUI CONNETTORI A 2,3 VIE. (BECOMES 6.5. FOR THE CAVITY NR.1 ON THE 2,3 POS. ONLY.)

- 9) PRODOTTO IDONEO SINO A 7A MAX, IN ACCORDO ALLA SPECIFICA DI PRODOTTO 108-20215 (PRODUCT SUITABLE UP TO 7A MAX, ACCORDING TO PRODUCT SPEC. 108-20215)
- 10) STATO DI FORNITURA: CONFEZIONAMENTO IN "VASSOI + SCATOLA" (PACKAGING: " ON TRAY PLUS CARTON BOX")



- 11) CONFEZIONAMENTO I:N BOBINA OBSOLETO (PACKAGING: "ON REEL" OBSOLETE)
- 12) OBSOLETE PARTS: OBSOLETE STREAMLINING PER D. RENAUD/ D. SINI
- 13) PRELIMINARY
- 14) OBSOLETE

2	HOUSING	NATURAL	PA GF
1	CONTATTO (CONTACT)	STAGNATO (TIN-PLATED)	OTTONE (BRASS)
ITEM	DENOMINAZIONE (DESCRIPTION)	FINITURA / COLORE (FINISH / COLOUR)	MATERIALE (MATERIAL)

THIS DRAWING IS A CONTROLLED DOCUMENT.

DIMENSIONS: mm	TOLERANCES UNLESS OTHERWISE SPECIFIED:	DWN COLOMBO 07MAY99	CHK C TARTARI 07MAY99	APVD G TURCO 07MAY99	NAME
	0 PLC ± 0.3	G. TURCO			AMP MONO-SHAPE L.I.F
	1 PLC ±	108-20215			TAB CONNECTORS 2-10 POS
	2 PLC ±	114-20016			SIZE CAGE CODE DRAWING NO
	3 PLC ±	A20779			RESTRICTED TO
	4 PLC ±	C-284338			
MATERIAL SEE TABLE	FINISH SEE TABLE	WEIGHT			SCALE SHEET OF 4 REV D19

4

3

2

1

THIS DRAWING IS UNPUBLISHED. RELEASED FOR PUBLICATION 2014
 © COPYRIGHT 2014 BY - ALL RIGHTS RESERVED.

REVISIONS				
P	LTR	DESCRIPTION	DATE	APVD
-	-	SEE SHEET 1	-	-

AMP PART NUMBERS
ASS'Y CONN

NUMERO DI VIE	CONFIGURAZIONE (Vista connettore dall'alto) ①	VERSIONE PEZZI IN VASSOIO	REV.	VERSIONE PEZZI SCIOLTI	REV.	POSIZIONE POLARIZ. (LATO POSTERIORE)	POSIZIONE AGGANCI O (LATO ANTERIORE)	POSIZIONE CODIFICA PARTICOLARE (LATO ANTERIORE)	+0.2 -0.3 (mm)	NOTE MARCHIATURA CON BANDA COLORATA	CODICI RAST 5 RICAVABILI
NO. OF POS.	CONFIGURATION (View from top side) ①	ON TRAY PACKAGING VERSION	PART REV.	LOOSE PIECES PACKAGING VERSION	PART REV.	POLARIZ. POSITION (BACK SIDE)	LOCKING POSITION (FRONT SIDE)	SPECIAL CODIFICATION POSITION (FRONT SIDE)	+0.2 -0.3 (mm)	NOTE STRIP COLOUR	RAST 5 OBTAINABLE CODE
2		1-284338-1	C	2-284338-1	C	2S	1-2	-	9.9	NERO BLACK	02-C
2		1-284338-2	C	2-284338-2	C	1S 2D	1-2	-	9.9	-	02-B 02-E 02-F
2		1-284338-3	D	2-284338-3	D	2D	1-2	-	9.9	ROSSO RED	02-L
2		1-284338-4	C	-	-	1D 2S	1-2	-	9.9	BLU BLUE	02-A
2		1-284338-7	C	-	-	-	1-2	-	9.9	-	-
3		1-284339-1	C	2-284339-1	C	1D	1-2	-	14.9	ARANCIO ORANGE	03-A 03-I
3		1-284339-2	C	2-284339-2	C	2D 3D	2-3	-	14.9	BLU BLUE	03-B
3		1-284339-3	C	2-284339-3	C	1S 3D	1-2	-	14.9	VERDE GREEN	03-F
3		1-284339-4	C	2-284339-4	C	2D 3D	2-3	-	14.9	ROSSO RED	03-B
3		1-284339-5	C	2-284339-5	C	2D 3D	2-3	-	14.9	-	03-B
4		0-293140-1	A	-	-	3D	2-3	-	19.9	-	-
5		0-293141-1	A	-	-	4D	4-5	-	24.9	-	-
5		0-293141-2	A	-	-	1S 5D	-	3D	24.9	NERO BLACK	-
6		0-293142-1	A	-	-	3D 5D	-	5S	29.9	NERO BLACK	-
7		0-293143-1	A	-	-	4D 6D	-	6S	34.9	VIOLA VIOLET	-
7		0-293143-2	I	-	-	-	1-2 5-6	-	34.9	-	-
7		293143-3	D	-	-	1S 6D	-	4D	34.9	-	-
8		1-284685-1	C	2-284685-1	C	2D-4D 6S-6D	-	4S	39.9	-	-
8		1-284685-2	D	-	-	1S	1-2	4D	39.9	VIOLET	-
10		1-284686-1	C	2-284686-1	C	6D-8S	4-5 8-9	6S	49.9	-	-

VISTE SOLO PER RIFERIMENTO
VIEWS ONLY FOR REFERENCE

LEGENDA
(DESCRIPTION)

① AMP MONO-SHAPE, TAB CONNECTORS
(ESEMPIO DI CONFIGURAZIONE)
(EXAMPLE OF CONFIGURATION)

BANDA COLORATA SUL COVER
(COLOR STRIP SIDE)

AGGANCI O (LOCKING LANCE)
CODIFICA (CODIFICATION)

POLARIZZAZIONE (POLARIZATION)
POLARIZZAZIONE (POLARIZATION)

AGGANCI O (LOCKING LANCE)
CODIFICA (CODIFICATION)
CODIFICA SPECIALE (SPECIAL CODIFICATION)

THIS DRAWING IS A CONTROLLED DOCUMENT.		DWN COLOMBO 07MAY99	TE Connectivity
DIMENSIONS: mm		CHK C. TARTARI 07MAY99	
TOLERANCES UNLESS OTHERWISE SPECIFIED:		APVD G. TURCO 07MAY99	
0 PLC ±		PRODUCT SPEC 108-20215	NAME AMP MONO-SHAPE L.I.F TAB CONNECTORS 2-10 POS
1 PLC ±		APPLICATION SPEC 114-20016	
2 PLC ±		WEIGHT	SIZE CAGE CODE DRAWING NO
3 PLC ±		CUSTOMER DRAWING	A200779C-284338
4 PLC ±		SCALE -	SHEET 2 OF 4
ANGLES ±2°		RESTRICTED TO	REV D 19

1471-9 (3/13)

THIS DRAWING IS UNPUBLISHED. RELEASED FOR PUBLICATION 2014
 © COPYRIGHT 2014 BY - ALL RIGHTS RESERVED.

REVISIONS				
P	LTR	DESCRIPTION	DATE	APVD
	~	SEE SHEET 1	-	--

PA GF, UL-V0 GWEPT 750°C NO FLAME, NATURAL

ON TRAY VERSION

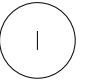
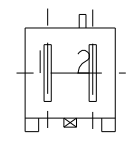

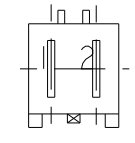

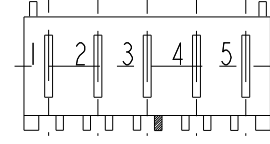
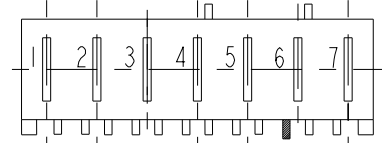
No. OF POS	CONFIGURATION (SEE TYP. SECT. ONLY FOR REF.)	P/N ASS'Y 8	PART REV.	POLARIZ. POSITION (BACK SIDE)	LOCKING POSITION (FRONT SIDE)	SPECIAL CODIFICAT. POSITION (FRONT SIDE)	L (mm)	NOTE MARCHIATURA CON BANDA COLORATA	CODICI RAST 5 RICAVABILI
13 2		2293392-2	I	-	-	-	9.9	-	-
13 3		2293392-3	I	-	-	-	14.9	-	-
13 4		2293392-4	I	-	-	-	19.9	-	-
13 5		2293392-5	I	-	-	-	24.9	-	-
13 6		2293392-6	I	-	-	-	29.9	-	-
7		2293392-7	D	-	1-2 5-6	-	34.9	-	-
7		1-2293392-7	D	-	1-2 5-6	5S	34.9	-	-
7		2-2293392-7	D	1S 6D	-	4D	34.9	-	-
13 8		2293392-8	I	-	-	-	39.9	-	-
13 9		2293392-9	I	-	-	-	44.9	-	-
13 10		1-2293392-0	I	6D 8S	4-5 8-9	6S	49.9	-	-


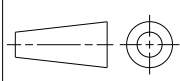
THIS DRAWING IS A CONTROLLED DOCUMENT.		DWN COLOMBO 07MAY99	 TE Connectivity
DIMENSIONS: mm		CHK C. TARTARI 07MAY99	
		APVD G. TURCO 07MAY99	
TOLERANCES UNLESS OTHERWISE SPECIFIED:		PRODUCT SPEC 108-20215	NAME AMP MONO-SHAPE L.I.F TAB CONNECTORS 2-10 POS
0 PLC ±		APPLICATION SPEC 114-20016	SIZE CAGE CODE DRAWING NO RESTRICTED TO
1 PLC ±		WEIGHT	A200779 C-284338
2 PLC ±		CUSTOMER DRAWING	SCALE SHEET 3 OF 4 REV D19
3 PLC ±			
4 PLC ±			
ANGLES ±2°			
FINISH			
MATERIAL SEE TABLE			

THIS DRAWING IS UNPUBLISHED. RELEASED FOR PUBLICATION 2014
 © COPYRIGHT 2014 BY - ALL RIGHTS RESERVED.

REVISIONS				
P	LTR	DESCRIPTION	DATE	APVD
-	-	SEE SHEET 1	-	-

SPECIAL VERSION WITH NATURAL COLORED RESIN

No. OF POS	CONFIGURATION (View from top side) 	ON TRAY PACKAGING VERSION	SIMILAR PN WITH SAME POLARIZATION	POLARIZ. POSITION (BACK SIDE)	LOCKING POSITION (FRONT SIDE)	SPECIAL CODIFICATION POSITION (FRONT SIDE)	+0.2 L-0.3 (mm)	NOTE STRIP COLOUR	RAST 5 OBTAINABLE CODE
2		5-2301868-3	1-284338-1	2S 	1-2	-	9.9	GREY	02-C
2		5-2301868-4	1-284338-4	1D 2S 	1-2	-	9.9	GREY	02-A
5		5-2301868-5	293141-2	1S 5D	-	3D	24.9	GREY	-
7		5-2301868-0	293143-1	4D 6D	-	6S	34.9	GREY	-

THIS DRAWING IS A CONTROLLED DOCUMENT.		DWN COLOMBO 07MAY99	 TE Connectivity
DIMENSIONS: mm		CHK C. TARTARI 07MAY99	
TOLERANCES UNLESS OTHERWISE SPECIFIED:		APVD G. TURCO 07MAY99	
	0 PLC ± 1 PLC ± 2 PLC ± 3 PLC ± 0.3 4 PLC ± ANGLES ±2° FINISH	PRODUCT SPEC 108-20215 APPLICATION SPEC 114-20016	NAME AMP MONO-SHAPE L.I.F TAB CONNECTORS 2-10 POS
MATERIAL		WEIGHT	SIZE CAGE CODE DRAWING NO RESTRICTED TO A200779 C-284338
CUSTOMER DRAWING		SCALE -	SHEET 4 OF 4 REV D 19