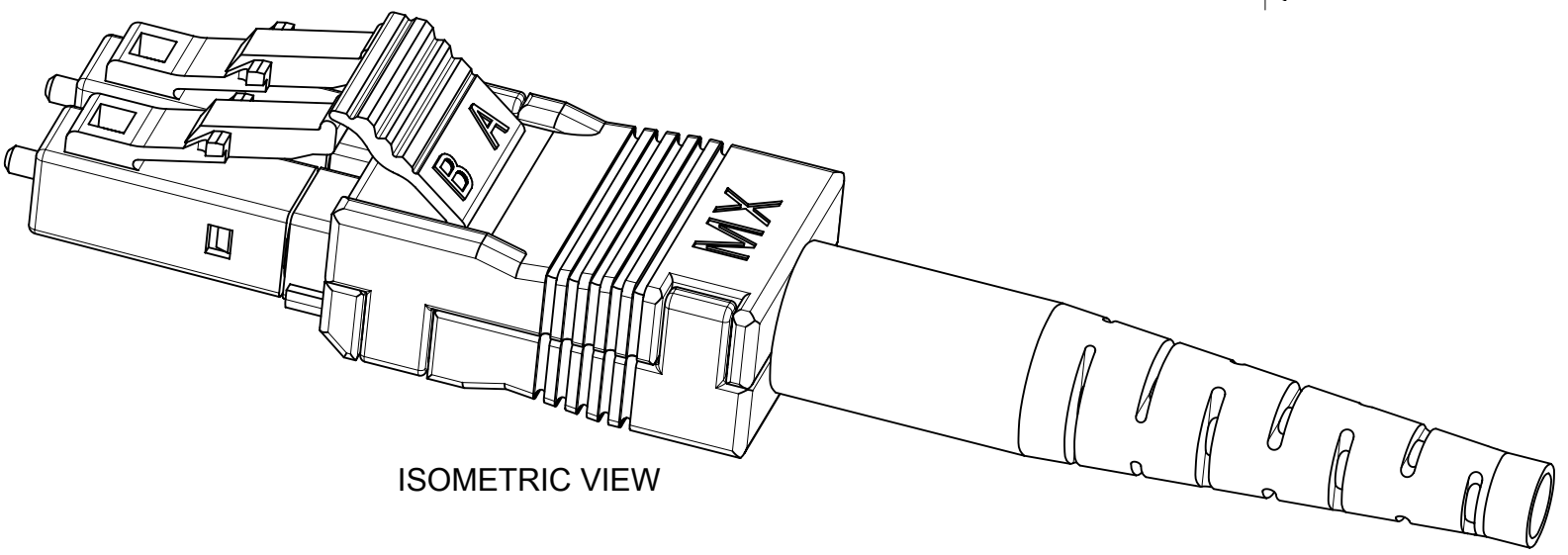
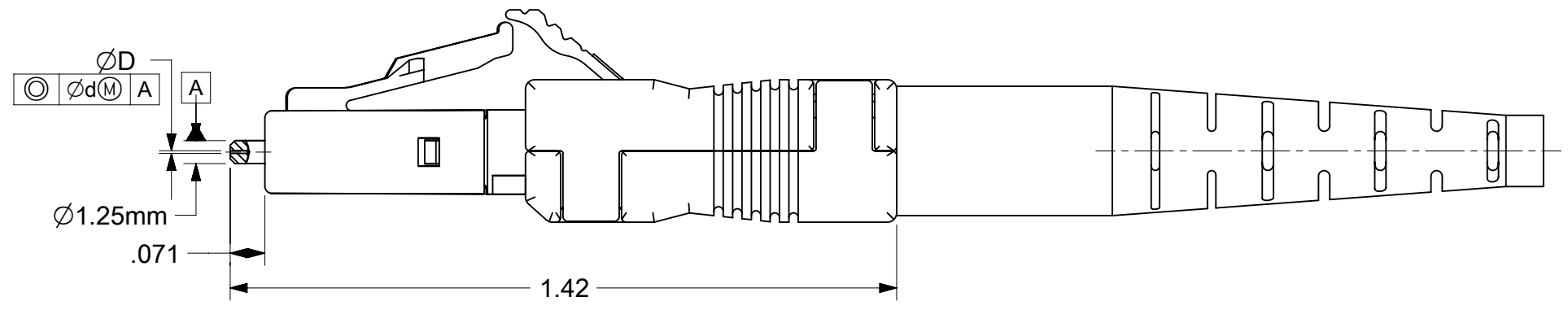
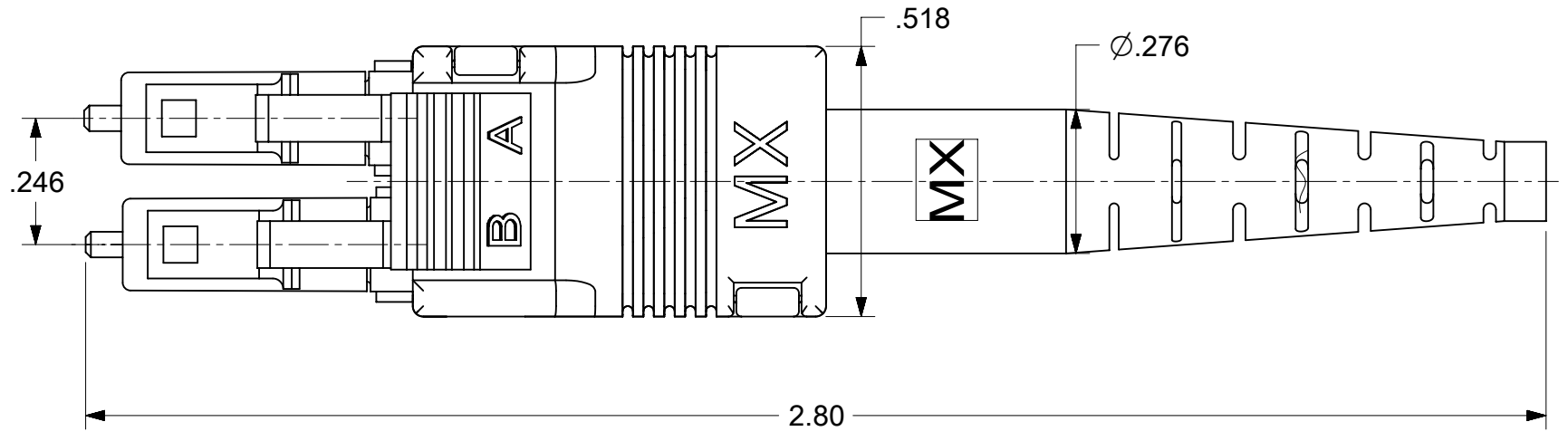
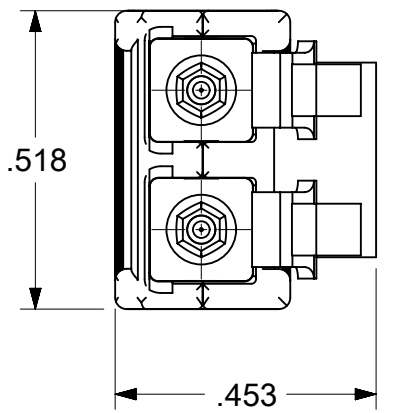


CONNECTOR HEAD P/N	ØD (µm)	Ød (µm)	COLOR	CABLE TYPE
106025-2320	125.5+1.0/-0	1.0	BLUE	SINGLE MODE
106025-2360	127+3/-0	3.0	BEIGE	MULTIMODE



ISOMETRIC VIEW

NOTES:  
 1.ALL DIMENSIONS ARE FOR REFERENCE ONLY.  
 2.DUST CAPS ARE NOT SHOWN.

THIS DRAWING CONTAINS INFORMATION THAT IS PROPRIETARY TO MOLEX ELECTRONIC TECHNOLOGIES, LLC AND SHOULD NOT BE USED WITHOUT WRITTEN PERMISSION																																																					
DIMENSION UNITS	SCALE	CURRENT REV DESC:																																																			
INCH	3:1	<table border="0"> <tr> <td>EC NO: 695254</td> <td>2022/04/27</td> <td colspan="4" rowspan="2"><b>molex</b></td> </tr> <tr> <td>DRWN: JHUANG18</td> <td>2022/04/29</td> <td colspan="2">LCD DOUBLE CONNECTOR DUAL LINK CABLE</td> </tr> <tr> <td>CHKD: IGUMIN</td> <td>2022/04/29</td> <td colspan="4">PRODUCT CUSTOMER DRAWING</td> </tr> <tr> <td>APPR: IGUMIN</td> <td>2022/04/29</td> <td colspan="2">DOCUMENT NUMBER</td> <td>DOC TYPE</td> <td>DOC PART</td> <td>REVISION</td> </tr> <tr> <td>INITIAL REVISION:</td> <td>2007/08/30</td> <td colspan="2">SD-106025-2320</td> <td>PSD</td> <td>001</td> <td>A1</td> </tr> <tr> <td>DRWN: YBEDNYAK</td> <td>2007/09/05</td> <td colspan="2">SEE TABLE</td> <td colspan="2">GENERAL MARKET</td> <td>SHEET NUMBER</td> </tr> <tr> <td>APPR: IGUMIN</td> <td></td> <td colspan="2"></td> <td colspan="2"></td> <td>1 OF 1</td> </tr> </table>								EC NO: 695254	2022/04/27	<b>molex</b>				DRWN: JHUANG18	2022/04/29	LCD DOUBLE CONNECTOR DUAL LINK CABLE		CHKD: IGUMIN	2022/04/29	PRODUCT CUSTOMER DRAWING				APPR: IGUMIN	2022/04/29	DOCUMENT NUMBER		DOC TYPE	DOC PART	REVISION	INITIAL REVISION:	2007/08/30	SD-106025-2320		PSD	001	A1	DRWN: YBEDNYAK	2007/09/05	SEE TABLE		GENERAL MARKET		SHEET NUMBER	APPR: IGUMIN						1 OF 1
EC NO: 695254	2022/04/27									<b>molex</b>																																											
DRWN: JHUANG18	2022/04/29													LCD DOUBLE CONNECTOR DUAL LINK CABLE																																							
CHKD: IGUMIN	2022/04/29									PRODUCT CUSTOMER DRAWING																																											
APPR: IGUMIN	2022/04/29									DOCUMENT NUMBER		DOC TYPE	DOC PART	REVISION																																							
INITIAL REVISION:	2007/08/30	SD-106025-2320		PSD	001	A1																																															
DRWN: YBEDNYAK	2007/09/05	SEE TABLE		GENERAL MARKET		SHEET NUMBER																																															
APPR: IGUMIN						1 OF 1																																															
GENERAL TOLERANCES (UNLESS SPECIFIED)		<table border="0"> <tr> <td>ANGULAR TOL</td> <td>± 0.5°</td> </tr> <tr> <td>4 PLACES</td> <td>±</td> </tr> <tr> <td>3 PLACES</td> <td>±</td> </tr> <tr> <td>2 PLACES</td> <td>±</td> </tr> <tr> <td>1 PLACE</td> <td>±</td> </tr> <tr> <td>0 PLACES</td> <td>±</td> </tr> </table>								ANGULAR TOL	± 0.5°	4 PLACES	±	3 PLACES	±	2 PLACES	±	1 PLACE	±	0 PLACES	±																																
ANGULAR TOL	± 0.5°																																																				
4 PLACES	±																																																				
3 PLACES	±																																																				
2 PLACES	±																																																				
1 PLACE	±																																																				
0 PLACES	±																																																				
DRAFT WHERE APPLICABLE MUST REMAIN WITHIN DIMENSIONS		THIRD ANGLE PROJECTION	DRAWING	SERIES	MATERIAL NUMBER	CUSTOMER	SHEET NUMBER																																														
			B-SIZE	106025	SEE TABLE	GENERAL MARKET	1 OF 1																																														