

4

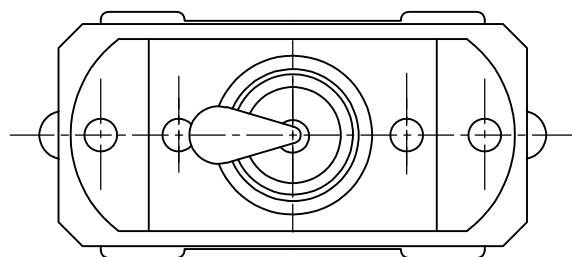
3

2

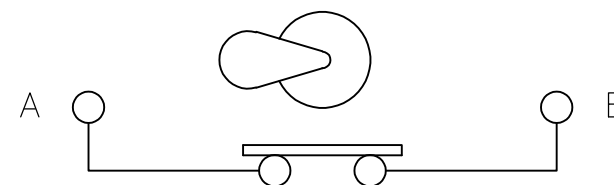
1

THIS DRAWING IS UNPUBLISHED. RELEASED FOR PUBLICATION
© COPYRIGHT BY TYCO ELECTRONICS CORPORATION. ALL RIGHTS RESERVED.

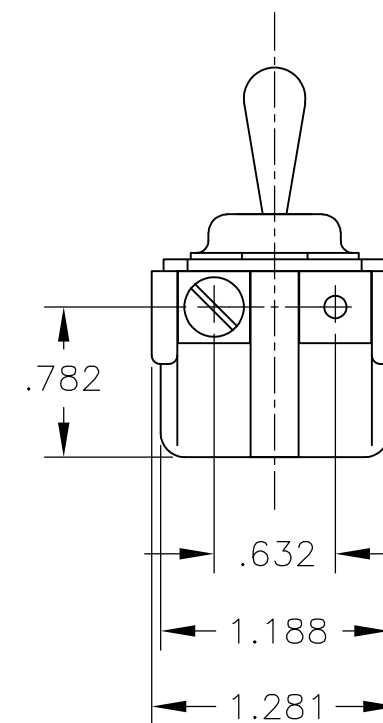
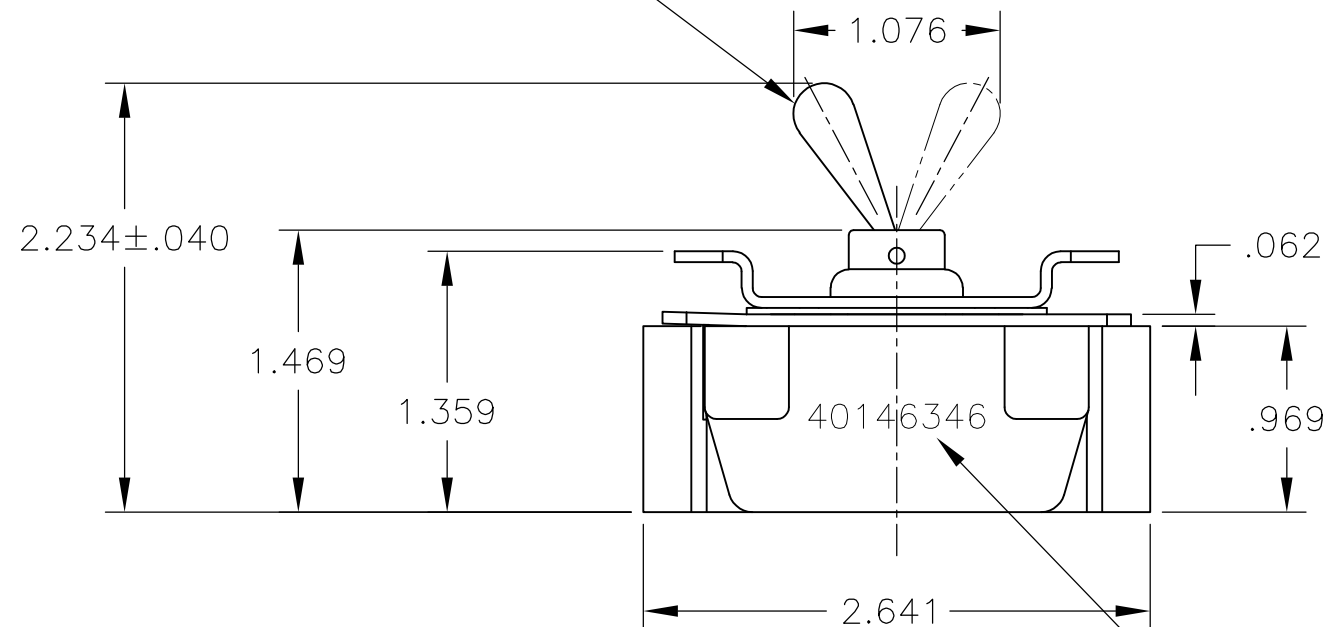
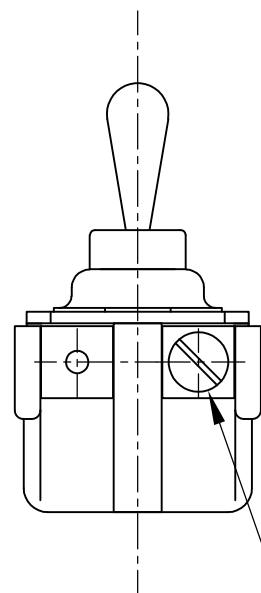
LOC	DIST	REVISIONS			
P	LTR	DESCRIPTION	DATE	DWN	APVD
	A	REVISED PER ECO-07-029519	2/5/08	SS	MM



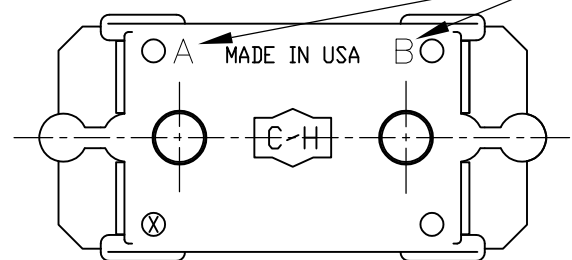
LEVER IS SHOWN IN ON POSITION



SCHEMATIC



(2) 8-32 BINDING HEAD SCREWS- SHIPPED UNASSEMBLED



MARK "A","B" & CUSTOMER P/N 40146346 IN APPROX LOCATIONS SHOWN WITH SILVER MARKING COMPOUND

1520231-4 AS SHOWN

THIS DRAWING IS A CONTROLLED DOCUMENT.		DWN R BROWN 21MAR2007	Tyco Electronics Corporation Harrisburg, PA 17105-3608		
DIMENSIONS: INCHES		CHK M MILLER 21MAR2007			
TOLERANCES UNLESS OTHERWISE SPECIFIED:		APVD M MILLER 21MAR2007	NAME SINGLE POLE, 20A 250V, ONE HOLE MTD. TOOL HANDLE TOGGLE SWITCH		
0 PLC ± - 1 PLC ± - 2 PLC ± - 3 PLC ± .016 4 PLC ± - ANGLES ± -		PRODUCT SPEC -	-		
MATERIAL -		FINISH -	APPLICATION SPEC -	SIZE A3	CAGE CODE 00779
		WEIGHT -	DRAWING NO G-1520231-4	RESTRICTED TO -	
CUSTOMER DRAWING			SCALE 1:1	SHEET 1 OF 1	REV A