

4

3

2

1

THIS DRAWING IS UNPUBLISHED.

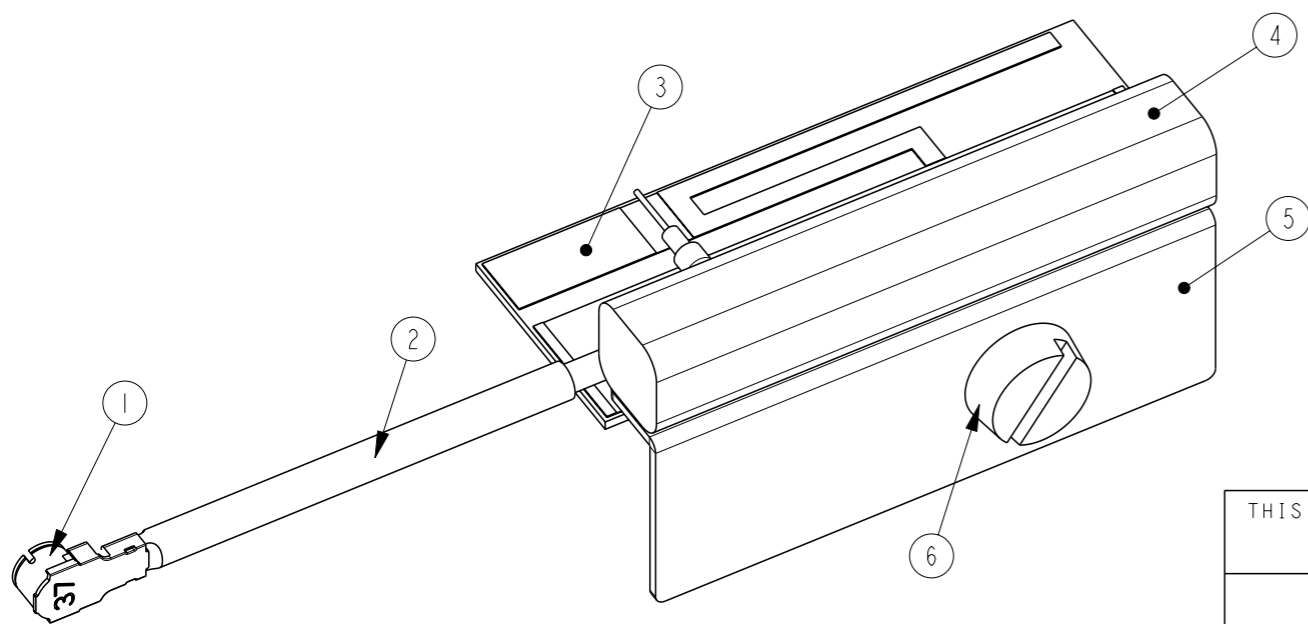
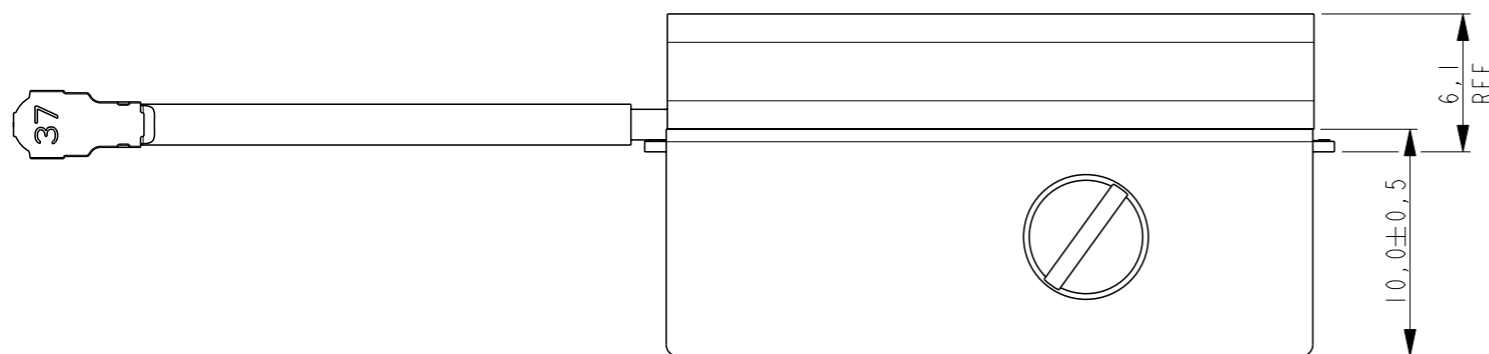
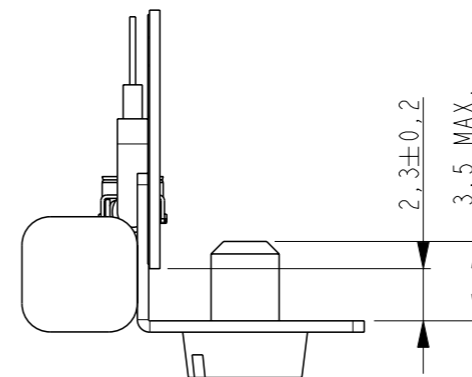
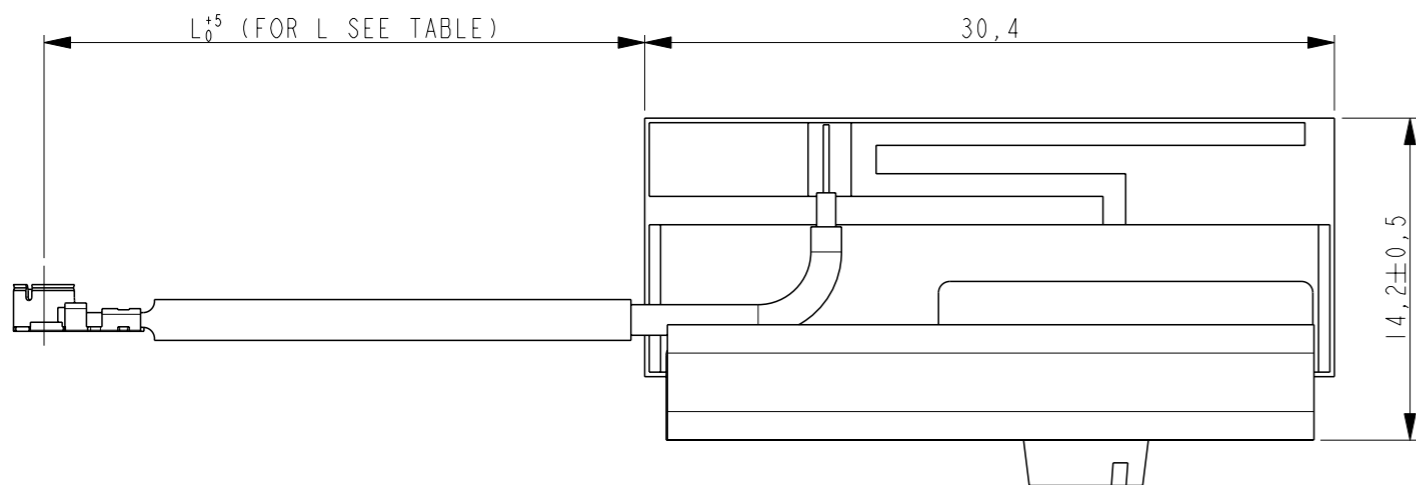
RELEASED FOR PUBLICATION

© COPYRIGHT 19

BY -

ALL RIGHTS RESERVED.

LOC	DIST	REVISIONS				
P	LTR	DESCRIPTION	DATE	DWN	APVD	
H	-	A	ECR-11-009371	05MAY2011	EZ	RL



DESCRIPTION	REMARK	ITEM	QTY
SCREW M3	NOT DELIVERED BY TE-CONNECTIVITY	6	-
BRACKET	BRASS OR NEW-SILVER	5	1
EMC GASKET	HIGHT: 5,1 mm	4	1
PRINTED CIRCUIT BOARD	MATERIAL: FR4	3	1
COAX CABLE; O.D. 1.37 mm	COLOUR: GREY ; LENGTH = 350 mm	2	-
COAX CABLE; O.D. 1.37mm	COLOUR: WHITE; LENGTH = 210 mm	2	-
COAX CABLE; O.D. 1.37 mm	COLOUR: BLACK; LENGTH = 500 mm	2	1
ULTRA MINIATURE COAX CONNECTOR	FOR 1,37 mm O.D. JACKET	1	1

1551524-1	1551524-2	1551524-3
-----------	-----------	-----------

THIS DRAWING IS A CONTROLLED DOCUMENT.

DIMENSIONS:	TOLERANCES UNLESS OTHERWISE SPECIFIED:
mm	
	0 PLC ±.5
	1 PLC ±.2
	2 PLC ±.1
	3 PLC ±.
	4 PLC ±.
	ANGLES ±.
	±2
MATERIAL -	FINISH -

DWN	22 JAN 2010
D. CAMPSCHROER	
CHK	22 JAN 2010
R. LOKKER	
APVD	22 JAN 2010
Y. BRAEM	
PRODUCT SPEC	
APPLICATION SPEC	
WEIGHT	-
CUSTOMER DRAWING	

STE TE Connectivity			
NAME WiFi ANTENNA			
SIZE	CAGE CODE	DRAWING NO	RESTRICTED TO
A3	00779	1551524	-
SCALE	SHEET	OF	REV
3:1	1	1	A