

8

7

6

5

4

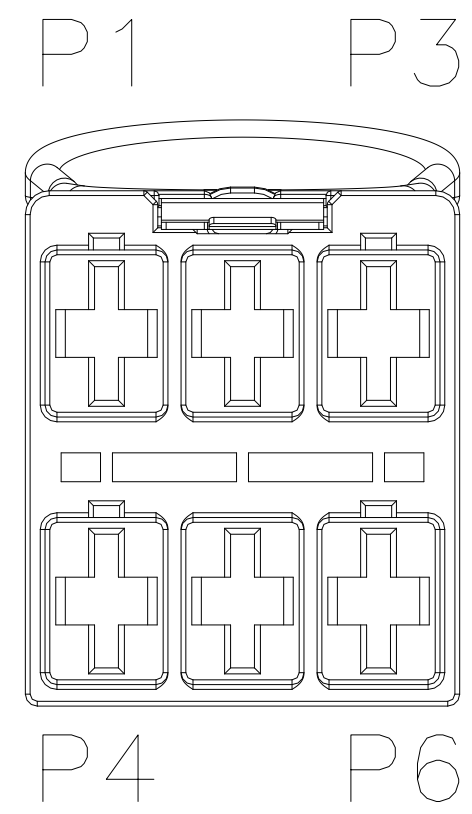
3

2

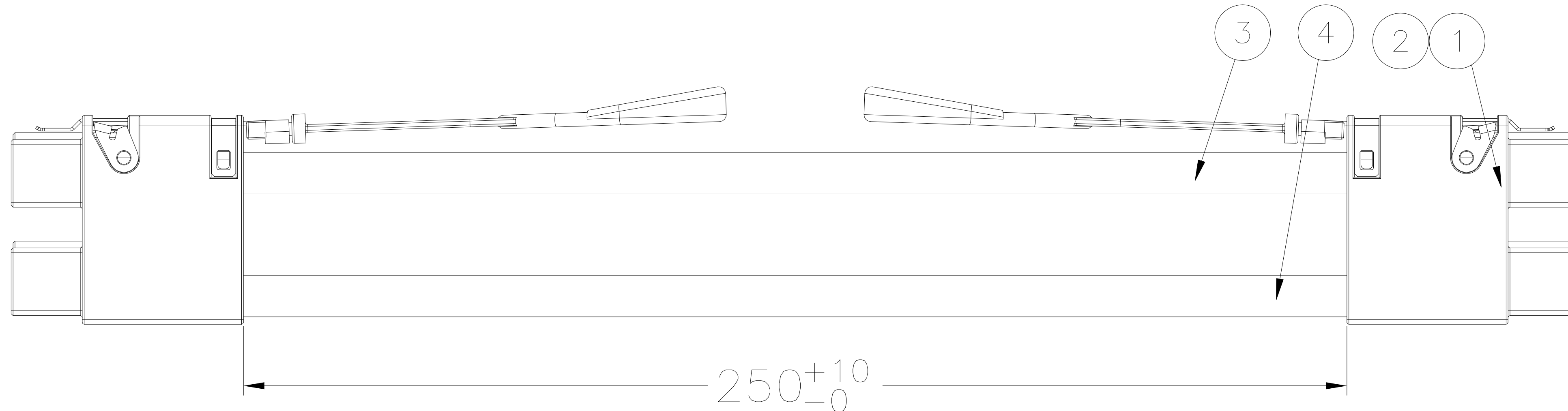
1

© - TE Connectivity. All Rights Reserved.

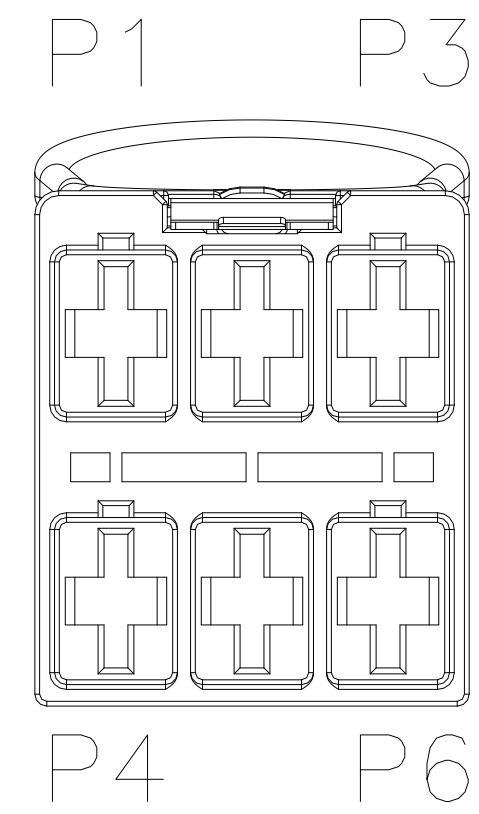
REVISIONS				
P	LR	DESCRIPTION	DATE	APVD
1	INITIAL		09MAR2020	KY WY



J1



J2



NOTES:

- 1. 100% ELECTRICAL TEST FOR CONTINUITY, OPENS AND SHORTS.
- 2. ROHS COMPLIANCE: PRODUCT AND PROCESSING MEETS REQUIREMENTS OF TE SPECIFICATION TEC-138-702.

WIRING CHART

FROM	TO	COLOR
J1-P1	J2-P3	RED
J1-P2	J2-P2	RED
J1-P3	J2-P1	RED
J1-P4	J2-P6	BLACK
J1-P5	J2-P5	BLACK
J1-P6	J2-P4	BLACK

2370756-1
TE P/N

QTY	U/M	DESCRIPTION	ITEM
AR	MR	UL WIRE 10AWG BLACK HIGH FLEX, PVC	4
AR	MR	UL WIRE 10AWG RED HIGH FLEX, PVC	3
12	PC	CONTACT ELCON MINI, GOLD PLATING	2
2	PC	HOUSING ELCON MINI TE, HF	1

THIS DRAWING IS A CONTROLLED DOCUMENT.

DRAWN: KYLIN YAO	DATE: 09MAR2020		TE Connectivity Ltd.
CHK: -			
DIMENSIONS: mm	TOLERANCES UNLESS OTHERWISE SPECIFIED:	NAME: Cable Assy, 2X3 ELCON MINI	
0 PLC ± -	1 PLC ± -	SIZE: -	
2 PLC ± -	3 PLC ± -	CAGE CODE: -	
4 PLC ± -	ANGLES ± -	DRAWING NO: -	
MATERIAL: -	FINISH: -	RESTRICTED TO: -	
WEIGHT: 0		SCALE: N.T.S.	
CUSTOMER DRAWING		SHEET 1 OF 1 REV 1	