

**SAIE-M12S-5-F10TL****Weidmüller Interface GmbH & Co. KG**

Klingenbergstraße 16

D-32758 Detmold

Germany

Fon: +49 5231 14-0

Fax: +49 5231 14-292083

www.weidmueller.com

**Similar to illustration**

Weidmüller is now one of the industry's leading international providers of connectors. An important mainstay in this product family are the circular connectors, which Weidmüller groups under the product name SAI. In the development of SAI products, Weidmüller engineers have always concentrated on achieving rational, cost-effective installation concepts, and – in cooperation with major users – have supplied the markets with well-conceived products which set standards in terms of functionality and quality across the globe. The best examples are the new power distributors with S and T coded M12. These modules are characterised by particularly high currents and voltages. This enables them to also be used, for example, with three-phase motors.

**General ordering data**

Type	SAIE-M12S-5-F10TL
Order No.	<a href="#">2422640000</a>
Version	Built-in plugs, M12, M 12, No. of poles: 5
GTIN (EAN)	4050118431056
Qty.	10 pc(s).

## SAIE-M12S-5-F10TL

Weidmüller Interface GmbH &amp; Co. KG

Klingenbergstraße 16

D-32758 Detmold

Germany

Fon: +49 5231 14-0

Fax: +49 5231 14-292083

www.weidmueller.com

## Technical data

## Dimensions and weights

Net weight	13.8 g
------------	--------

## Environmental Product Compliance

REACH SVHC	Lead 7439-92-1
------------	----------------

## Technical data of PCB plug-in connector

Coding	A	Housing surface	nickel-plated
Housings	M12 pin	Mounting height	10 mm
Mounting thread	M12	No. of poles	5
Shield connection	No	Type of mounting	Front mounting
Rated voltage		Rated voltage (text)	250 V (4-pole) / 60 V (5-pole)
	60 V	Rated current	4 A
Rated current	4 A	Protection degree	IP67
Temperature range	-30...80 °C	Housing main material	CuZn, nickel-plated
Contact surface	Au (Gold)	Tightening torque	M12: 0.8 Nm
Connection thread	M12	Mounting torque range	1.2 Nm
Mounting thread	M 12	Pollution severity	3 (2 within the sealed area)
Insulation strength	100 MΩ	Contact material	CuZn
Plugging cycles	≥ 100	Material of the flange-mounted housing	Nickel-plated CuZn
Lock nut material	Nickel-plated CuZn		

## Material data

Contact material	CuZn	Contact surface	Au (Gold)
------------------	------	-----------------	-----------

## System parameters

Insulation strength	100 MΩ	No. of poles	5
Pin series quantity	1	Plugging cycles	≥ 100
Protection degree	IP67		

## Classifications

ETIM 6.0	EC002638	eClass 6.2	27-26-07-02
eClass 9.0	27-44-03-09	eClass 9.1	27-44-03-09

## Approvals

ROHS	Conform
------	---------

## Downloads

Brochure/Catalogue	<a href="#">FL FIELDWIRING EN</a>
Engineering Data	<a href="#">STEP</a>

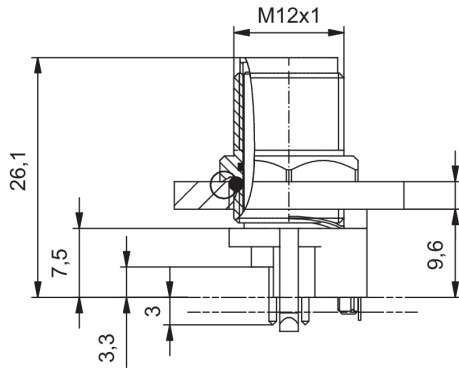
**Data sheet**

**SAIE-M12S-5-F10TL**

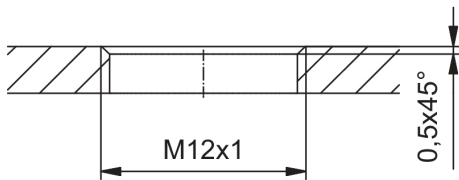
**Weidmüller Interface GmbH & Co. KG**  
 Klingenbergstraße 16  
 D-32758 Detmold  
 Germany  
 Fon: +49 5231 14-0  
 Fax: +49 5231 14-292083  
 www.weidmueller.com

**Drawings**

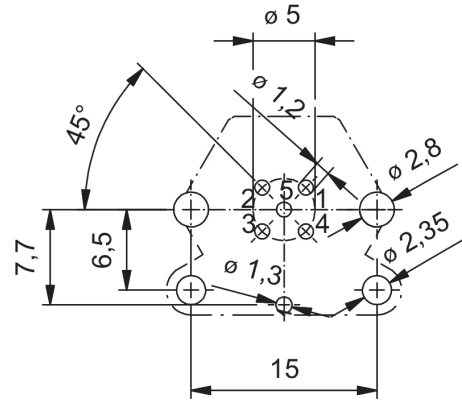
**Dimensioned drawing**



**Front panel section**



**PCB design**



**Pole scheme**

