

**PLEASE CHECK WWW.MOLEX.COM FOR LATEST PART INFORMATION**

**Part Number:** [0622018618](#)  
**Status:** **Active**  
**Overview:** [Application Tooling](#)  
**Description:** Press-In Tool for Right-Angle Receptacle and Header 11-Row, 8-Column

**Documents:**  
[RoHS Certificate of Compliance \(PDF\)](#)

**General**

Product Family	Application Tooling
Series	<a href="#">207123</a>
Comments	See Tooling Specification (PDF) Above, Press-In Tool
Function	Insertion
Geographic Area	Global
Level of Automation	Manual
More Detailed Tech Information	<a href="mailto:applicationtooling@molex.com">applicationtooling@molex.com</a>
Overview	<a href="#">Application Tooling</a>
Product Name	PremiumGrade
Tool Type	Press-Fit Insertion Tool
UPC	822350873062
Warranty Disclaimer	CAUTION: Molex tooling crimp specifications are valid only when used with Molex terminals and tooling manufactured by Molex and sold by Molex or authorized distributors ("Molex Tooling"). When using tooling other than Molex Tooling with Molex specific connector systems listed in our ATS documents, the Molex tooling qualification does not apply and the responsibility for full qualification of the connector system is that of the customer. Molex accepts no liability for connector performance or tooling support where tooling other than Molex Tooling is used or where Molex Tooling is modified.

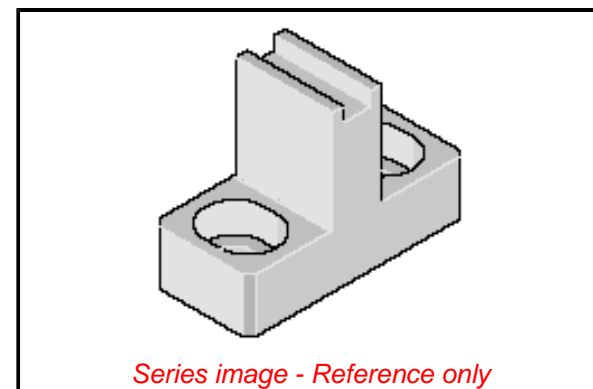
**Physical**

Net Weight 112.960/g

**Material Info**

**Reference - Drawing Numbers**

Application Tooling Documents [ATS-622018618](#), [TM-622018699](#)



**EU ELV**

**Not Relevant**

**EU RoHS**

**Compliant**

**REACH SVHC**

Not Contained Per  
-ED/01/2018 (15  
January 2018)

**Halogen-Free**

**Status**

**Not Relevant**

For more information, please visit [Contact US](#)

China ROHS

Not Relevant

ELV

Not Relevant

RoHS Phthalates

Not Contained

**Search Parts in this Series**

[207123 Series](#)

**Use With**

GbX I-Trac Daughtercard Signal Module,  
[75710 Series](#)

**Application Tooling** | [FAQ](#)

<b>Description</b>	<b>Product #</b>
--------------------	------------------

GbX I-Trac Right-Angle Daughtercard Module, 1.85mm by 3.70mm Pitch, Unguided, 11 Rows, 8 Columns, 176 Circuits	<a href="#">757101008</a>
--	---------------------------

GbX I-Trac Right-Angle Daughtercard Module, 1.85mm by 3.70mm Pitch, Left Guide, 11 Rows, 8 Columns, 176 Circuits, Lead-Free, Polarization Key B	<a href="#">757103208</a>
---	---------------------------

GbX I-Trac Right- 757105008  
Angle Daughtercard  
Module, 1.85mm by  
3.70mm Pitch, Right  
Guide, 11 Rows,  
8 Columns, 176  
Circuits

This document was generated on 02/27/2021

**PLEASE CHECK [WWW.MOLEX.COM](http://WWW.MOLEX.COM) FOR LATEST PART INFORMATION**