

Modular Signal Towers / KombiSIGN 72
KS72 Classic USB RM 5V GN/YE/RD



Part No.:	649.000.05
Series:	KombiSIGN 72

MECHANICAL DATA	
Height	212 mm
Diameter	70 mm
Materials	PA-GF PC
Dome colour	Green Red Yellow
Housing colour	Black
Protection category	IP65
Connection	USB
Cable entry	Through hole
Cable entry maximum	d = 11 mm
Cable length	1800 mm
Tension relief	Not present
Type of fixing	Tube mounting
Working temperature minimum	-20°C
Working temperature maximum	+50°C
Weight with packaging	385 g
Product weight	385 g

ELECTRICAL DATA	
Operating voltage	5V (USB)
Operating voltage type	DC
Operating voltage frequency	50Hz
Operating voltage tolerance	+/- 0%
Rated operational voltage	5 VDC
Rated operational current	500 mA
Protection class	Protection class 2
Pollution degree	3
Request to external PSU	SELV/PELV
connectivity	USB

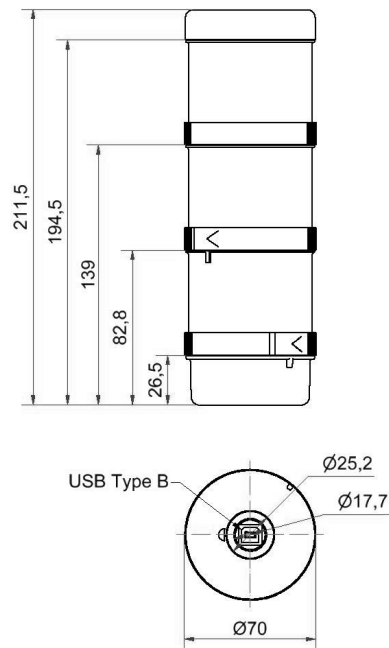
OPTICAL DATA	
Light source	LED
Light colour	Green Red Yellow
Optical signal image	TwinLight
Blink frequency	1 Hz
Service life optical	50,000 h minimum

! For additional installation and mounting information, refer to the appropriate user guide at www.werma.com. This printed copy is for information only and is subject to alteration.

Modular Signal Towers / KombiSIGN 72
KS72 Classic USB RM 5V GN/YE/RD

APPROVAL DATA	
Conforms with CE	Yes (through the components)
WEEE	Yes
Conforms with ATEX-directive	No
Conforms with CCC-Ex	No
Conforms with CCC	No
Conforms with UL	No
Conforms with FCC	No
Conforms with IC	No
EAC certificate available	Yes
Conforms with UKCA (Importer)	No
Conforms with CMIM	No
Conforms with AS-I	No
ICAO Certification	No
Conforms with DNV	No
Conforms with RoHS CN	No
Conforms with VdS	No

DRAWING



! For additional installation and mounting information, refer to the appropriate user guide at www.werma.com. This printed copy is for information only and is subject to alteration.