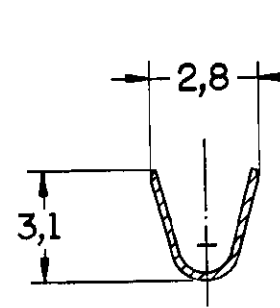
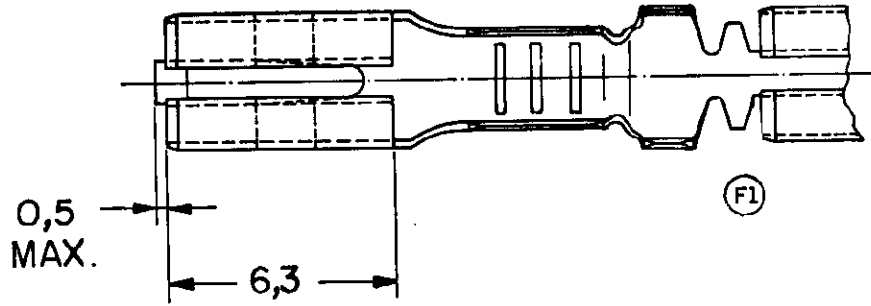
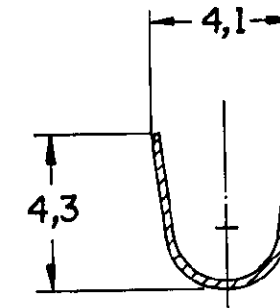


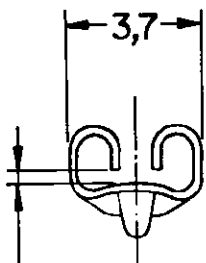
| | | | | | |
|---------------|------|-------------------|--|---------------|----------------------|
| DWG NO. | | DO NOT SCALE | | METRIC | 3rd ANGLE PROJECTION |
| | | DIMENSIONS IN mm. | | | |
| REQ. PER ASSY | ITEM | DESCRIPTION | | MATERIAL | FINISH |



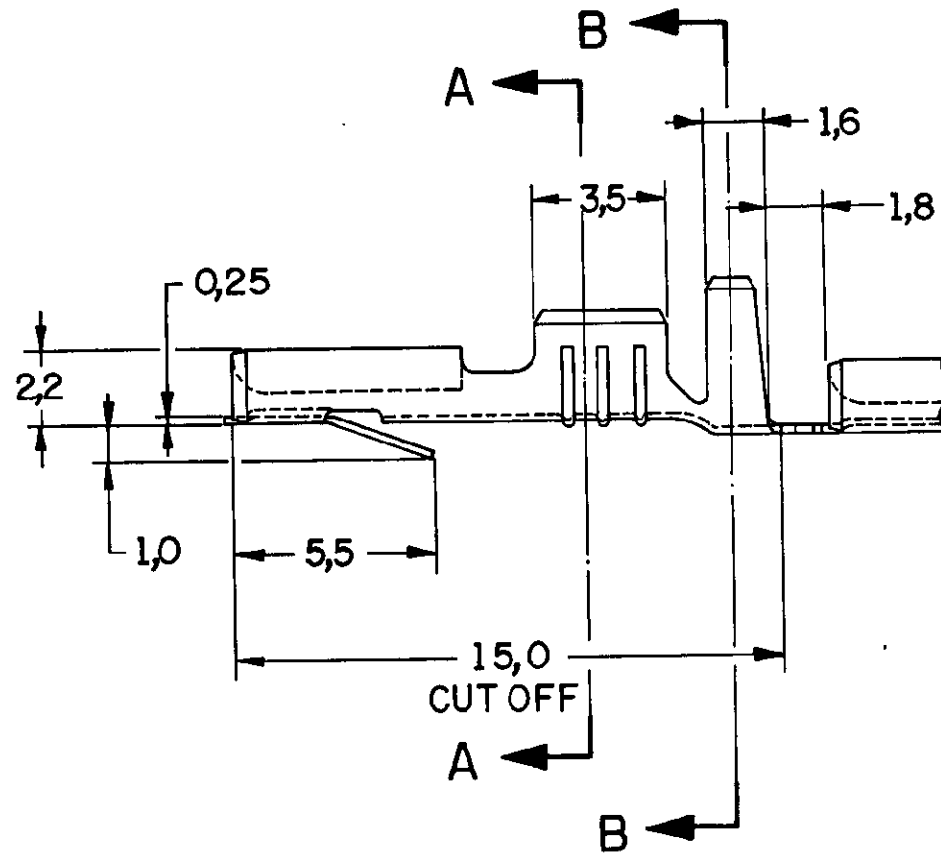
SECCÃO A-A
SECTION



SECCÃO B-B
SECTION



PARA TAB DE 0,8
ESPESSURA.
FOR 0,8 TAB.



(F1) (F) 1- LOOSE PIECE: VER DESENHO 880680
LOOSE PIECE: SEE DRAWING.

(2) OBSOLETE PARTS

| FINISH | MATERIAL | PART NUMBER |
|---------------|------------------|-------------|
| PRÉ ESTANHADO | BRONZE FOSFOROSO | 6 |
| PRÉ ESTANHADO | LATAO | 880635 -5 |
| (F1) | | -4 |
| | BRONZE FOSFOROSO | (2) -3 |
| | | -2 |
| (F1) | LATAO | -1 |

CUSTOMER DWG
for REFERENCE ONLY

THIS DRAWING IS UNPUBLISHED. RELEASED FOR PUBLICATION.
© COPYRIGHT 19 BY AMP DO BRASIL LTDA S.P. ALL INTERNATIONAL RIGHTS RESERVED AMP PRODUCTS MAY BE COVERED BY U.S. AND FOREIGN PATENTS AND/OR PATENTS PENDING.

TOLERANCES UNLESS OTHERWISE STATED
INS. DIA. RANGE 2,2 - 2,7 mm
WIRE RANGE >1,0 - 1,5 mm
SCALE 1/1

DR. M.C. LAPRESA
02-JUL-93
AMP do BRASIL LTDA.
São Paulo, Brasil

| | | | |
|-----|---------------------------|-----------|------------------|
| F3 | REV. ECO 18-003809 | HC WLS | 09MAR18 |
| F2 | REVISED PER ECO-09-026444 | KK AEG | 26NOV09 |
| F1 | REVISED BY | 06996 DAR | 01-APR-96 |
| F | ADICIONADO NOTA (2) | 32/93 | 26.11.93 |
| E | REDRAWN WITH CHANGE | 099/93 | 19 JUL 93 |
| ISS | REVISION RECORD | ECN | DR/CHK DATE APP. |

DR. M.C. LAPRESA
02-JUL-93

DESCRIPTION 110 SERIES RECEPTACLE
FASTIN - FASTON

A3 DWG NO C 880635 SHEET 1 OF 1