

PLEASE CHECK WWW.MOLEX.COM FOR LATEST PART INFORMATION

Part Number: [0887614500](#)
Status: **Active**
Overview: [Serial ATA Products](#)
Description: 1.27mm Pitch Serial ATA IDT Power Adapter Cable, 0.152m Length, Gold Flash, 5V +12V, Lead-Free

Documents:

[Drawing \(PDF\)](#) [RoHS Certificate of Compliance \(PDF\)](#)

General

Product Family	Cable Assemblies
Series	88755
Assembly Configuration	Dual Ended Connectors
Connector to Connector	Serial ATA-to-Serial ATA
Overview	Serial ATA Products
Product Name	Serial ATA
UPC	822348256433

Physical

Cable Length	0.152m
Circuits (Loaded)	4
Color - Resin	Black
Gender	Female-Female
Lock to Mating Part	Yes
Material - Metal	Phosphor Bronze
Material - Plating Mating	Gold
Material - Plating Termination	Tin
Material - Resin	Polyester
Net Weight	11.500/g
Packaging Type	Bag
Pitch - Mating Interface	1.27mm
Plating min - Mating	0.051µm
Plating min - Termination	1.905µm
Single Ended	No
Termination Interface: Style	IDT or Pierce
Wire Insulation Diameter	N/A
Wire Size AWG	18
Wire/Cable Type	PVC

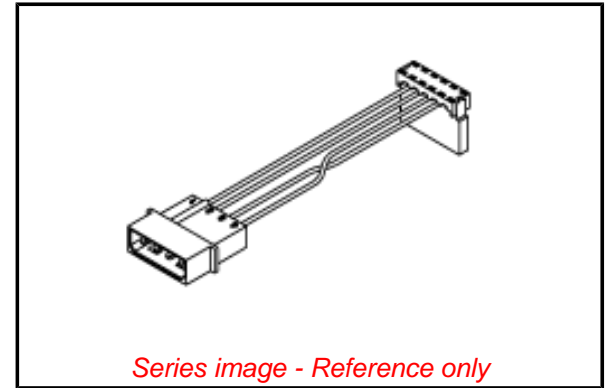
Electrical

Current - Maximum per Contact	1.5A
Impedance	100#
Shielded	No
Voltage - Maximum	40V

Material Info

Reference - Drawing Numbers

Sales Drawing	SD-88755-006
---------------	--------------



Series image - Reference only

EU ELV

Not Relevant

EU RoHS

Not Reviewed

REACH SVHC

Not Reviewed

Halogen-Free

Status

Not Reviewed

Need more information on product environmental compliance?

Email productcompliance@molex.com
Please visit the [Contact Us](#) section for any non-product compliance questions.

China ROHS

Not Relevant

ELV

Not Relevant

Search Parts in this Series

[88755](#) Series