



**Electrical Specifications**

**Center Frequency:** 16 kHz  
**3 dB Bandwidth:** 6 kHz  
**1 dB Bandwidth:** 4.2 kHz  
**Insertion Loss:** 1 dB Max  
**Rejection:** >40 dB @ 0-10 kHz  
                   >40 dB @ 22-100 kHz  
**Power Handling:** 0.5 Watts Max

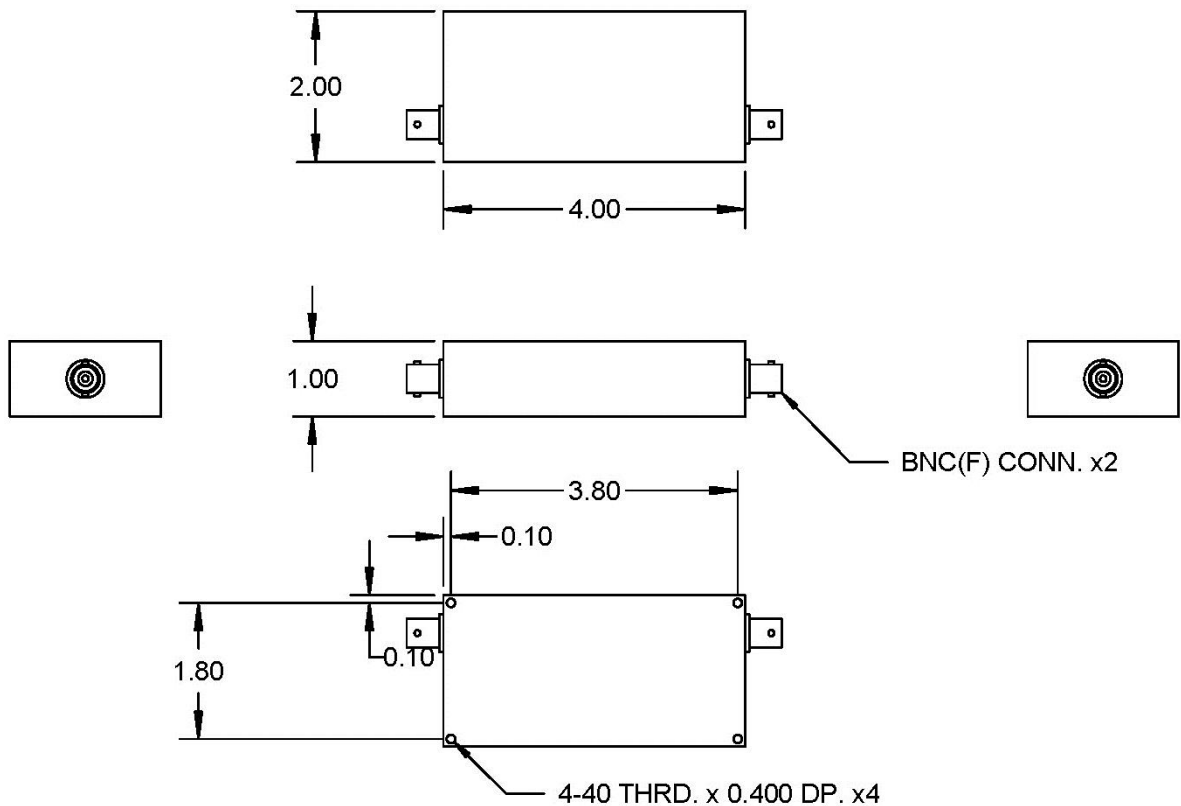
**Mechanical**

**Connector Type:** BNC (F)  
**Dimensions:** 4.0 x 2.0 x 1.0 Inches

**Environmental**

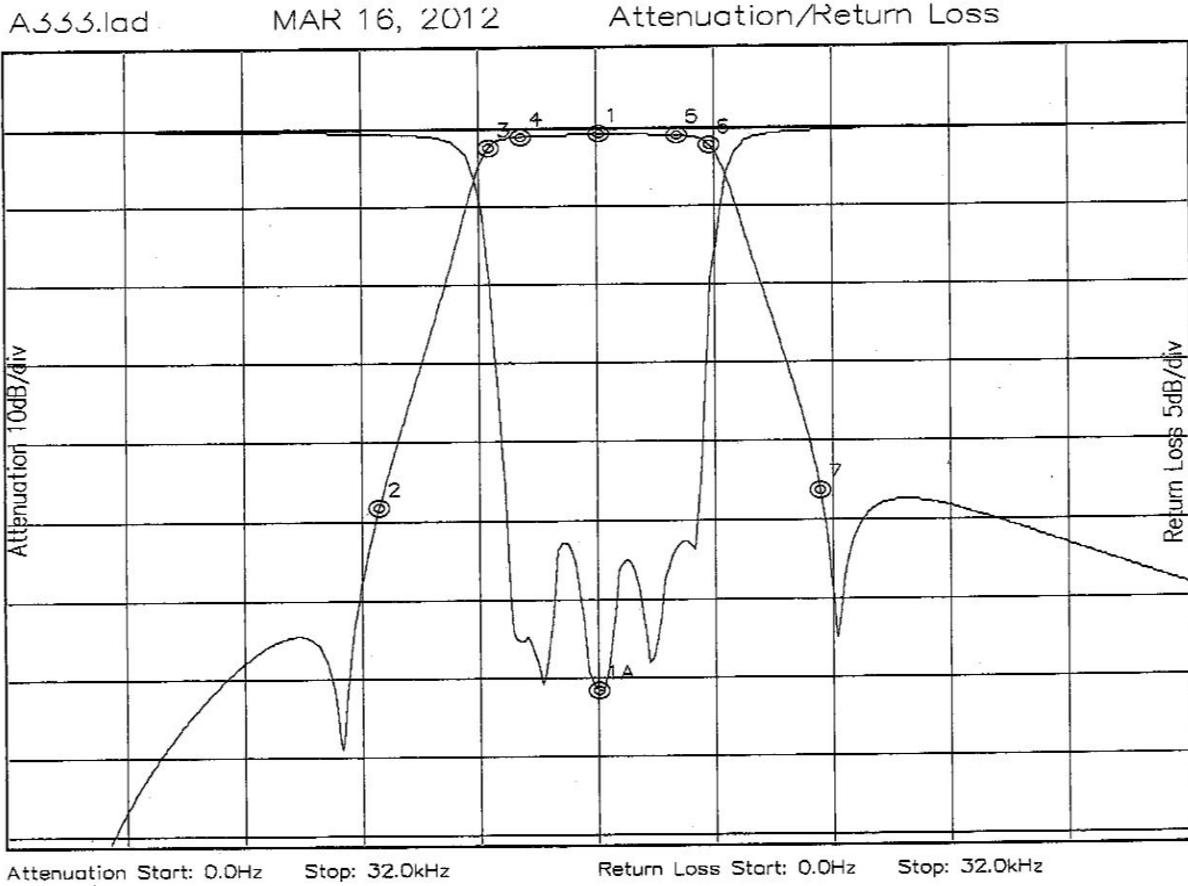
**Operating Temperature:** -25°C to +70°C  
**Storage Temperature:** -40°C to +90°C  
**Shock:** 10 G. 11ms  
**Vibration:** 10 G. 5 to 200Hz

**Outline Drawing:**





**Response Plot:**



- Marker 1 Freq 16.026kHz Atten -0.710dB
- Marker 2 Freq 10.029kHz Atten -48.033dB
- Marker 3 Freq 13.027kHz Atten -2.450dB
- Marker 4 Freq 13.906kHz Atten -0.986dB
- Marker 5 Freq 18.145kHz Atten -0.901dB
- Marker 6 Freq 19.024kHz Atten -2.136dB
- Marker 7 Freq 22.023kHz Atten -45.999dB

Marker 1A Freq 15.974kHz Ret Loss -35.601dB