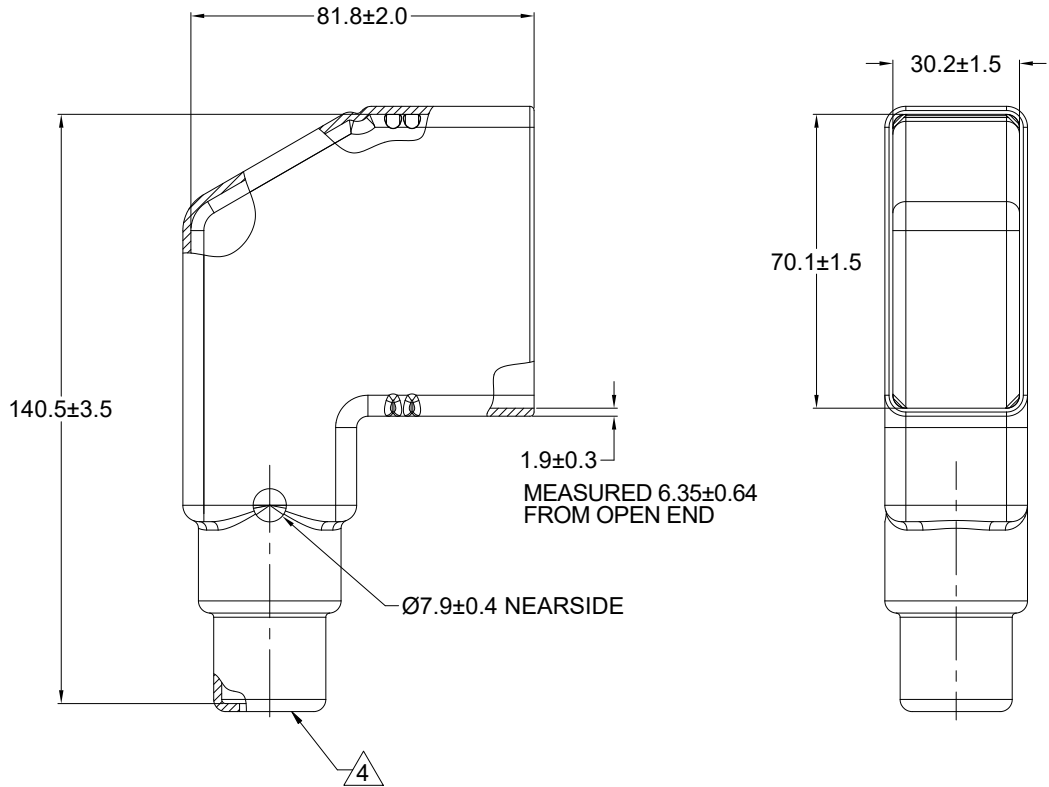


REVISIONS					
REV	ECO	DESCRIPTION	DATE	BY	APPR
A1		RELEASE NEW DRAWING	05APR21	SULLEN	TOMMY



NOTES: UNLESS OTHERWISE SPECIFIED

- THIS PART IS USED ON ARC12-40PX(R) RECEPTACLE AND ARC18-40SX(R)-XXXX PLUG WHERE X = A,B,C,D KEYS AND XXXX = MODIFICATION.
- TEMPERATURE RATING : -29°C TO +100°C [-20°F TO +212°F]
- BOTTOM OF PART MOLDED OPEN.
- SMALL MATERIAL EXTENSION IS ACCEPTABLE ON THIS END ALL AROUND
- ALL DIMENSIONS ARE FOR REFERENCE USE ONLY.

	ARC40-BT-RA	REF DRC40-BT-90DEG	
	PART NUMBER	DESCRIPTION	ITEM
QUANTITY	MATERIALS LIST		
UNLESS OTHERWISE SPECIFIED		SIGNATURES	DATE
1) All dimensions are in metric(mm).		DRAWN: SULLEN.ZHANG	05APR21
2) Tolerances are as follows:		CHECKED: ORION.LI	06APR21
1 PL DEC ±0.30		ENGINEER:	
2 PL DEC ±0.15		APPROVAL: TOMMY.XIE	07APR21
3 PL DEC ±0.08		CUSTOMER:	
3) Note reference =		THIS DRAWING IS SUPPLIED FOR INFORMATION ONLY. DESIGN FEATURES, SPECIFICATIONS AND PERFORMANCE DATA SHOWN HEREON ARE THE PROPERTY OF THE AMPHENOL CORPORATION. NO RIGHTS OF REPRODUCTION ARE IMPLIED. ALL DIMENSIONS ARE SUBJECT TO NORMAL MANUFACTURING VARIATIONS.	
MATERIAL SPECIFICATIONS:			
PROCESS SPECIFICATIONS:			
NEXT ASSY:			
Amphenol		Sine Systems - www.amphenol-sine.com 44724 Morley Drive Clinton Township, MI 48036	
BOOT,40PIN,90 DEG,ARC SERIES			
SIZE	TYPE	DWG NO:	REVISION
A	C-	ARC40-BT-RA	A1
SCALE:	NONE		SHEET 1 OF 1