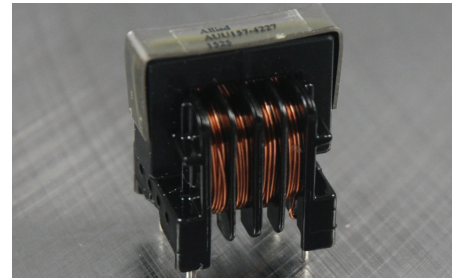




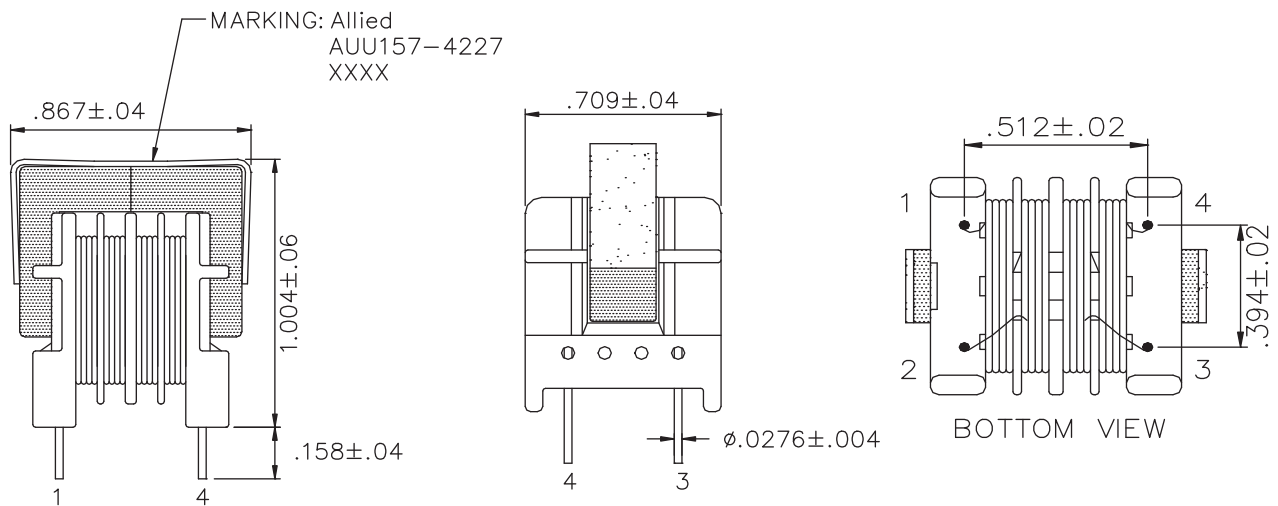
- Vertical Mount
- UU Type Design (Other Designs Available)
- Operating Temperature: -20° ~ 85°C Including Temp. Rise



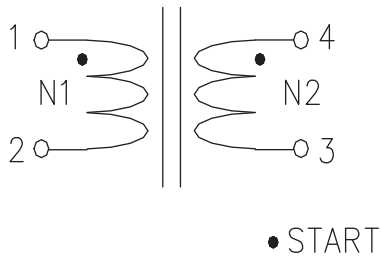
Electrical Specifications			
INDUCTANCE 1KHz/1V (1 - 2) (4 -3)	DCR (1 - 2) (4 - 5)	CURRENT (Arms)	Hi-POT TEST Coil to Coil
5.3mH Min	0.369Ohm ± 20%	1.0 Max	1000V 3mA for 1 min

All specifications subject to change without notice.

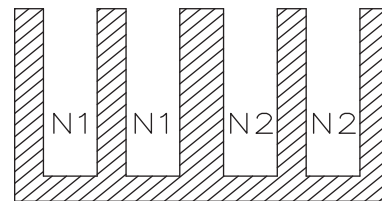
MECHANICAL



SCHEMATIC



WINDING



N1 1-2 : 0.400*64TS (32TS+32TS) (REF)
 N2 4-3 : 0.400*64TS (32TS+32TS) (REF)