

2 to 18GHz 10dB Directional Coupler

FPC07234

DESCRIPTION

DLI introduces a wide band surface mountable catalog directional coupler. This coupler incorporates DLI's high dielectric ceramic materials which provide small size and minimal performance variation over temperature.

FEATURES

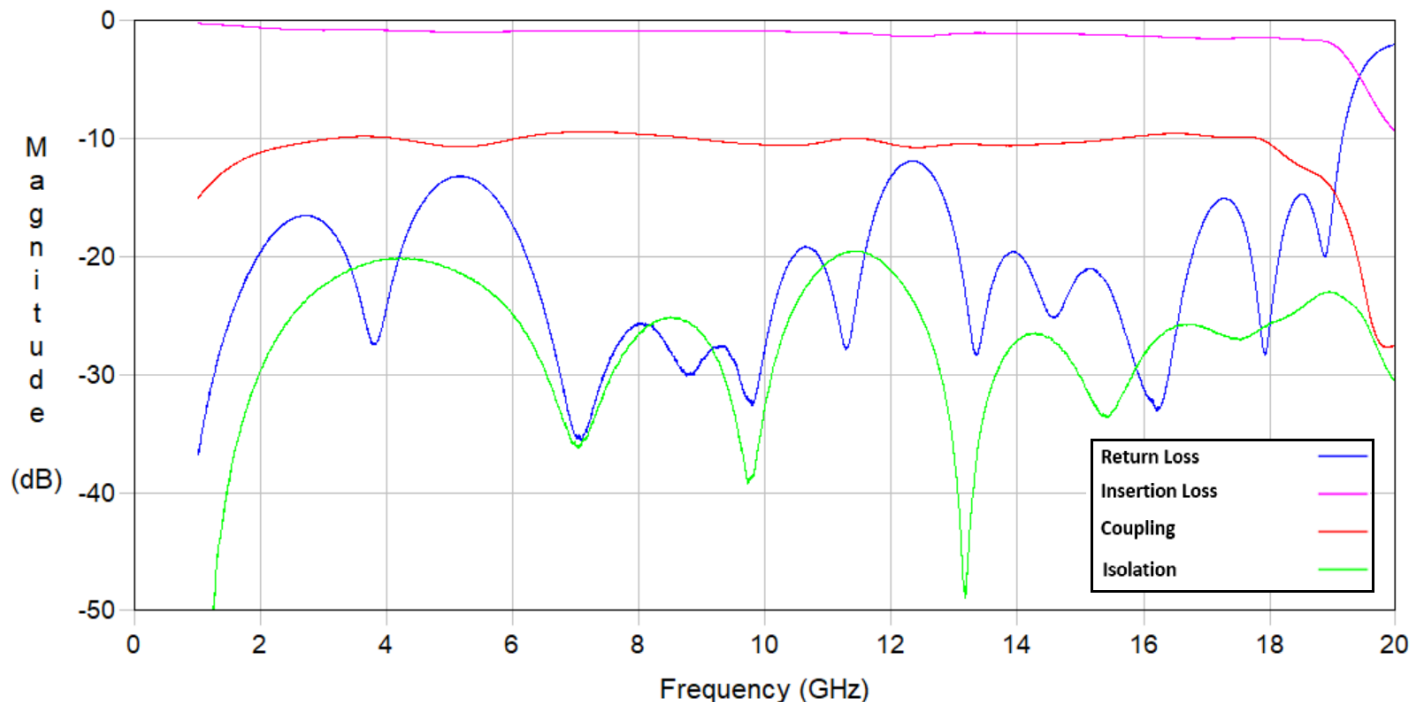
- Small Size
- Solder Surface Mount Package
- Moisture Sensitivity Level: MSL1
- Frequency Stable over Temperature
- Operating & Storage Temp: -55°C to +125°C
- Characteristic Impedance: 50Ω

SPECIFICATIONS*

Parameter	Frequency (GHz)	Min	Max
Passband	2-18		1.2
Excess Insertion Loss* (dB)			
Passband Return Loss (dB)		10	
Coupling (dB)		10	± 1.5
Directivity (dB)		10	
Input Power (W)			
Size (LxWxH)	0.500 x 0.150 x .030 in 12.7 x 3.81 x 0.76 mm		

*Electrical specifications based on typical mounted performance at room temperature. Insertion loss shall vary ±0.5dB over temperature.

Typical Measured Performance

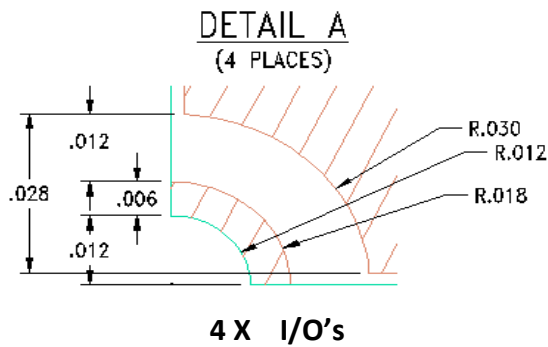
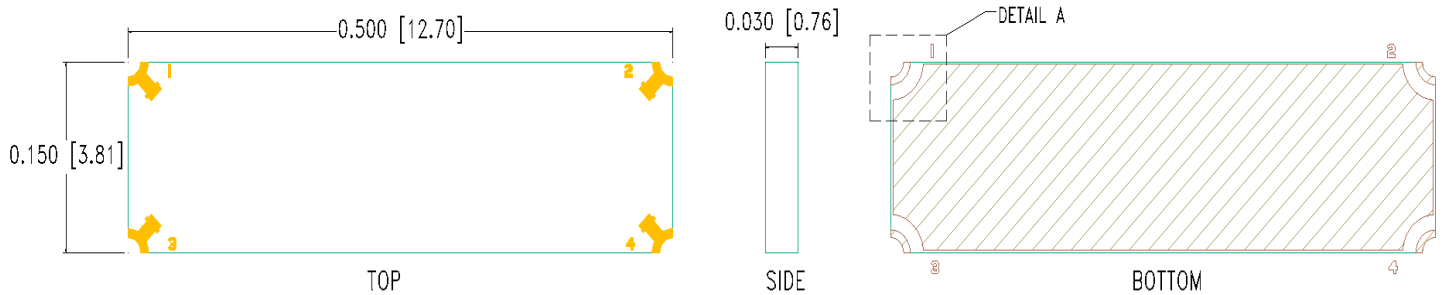


*Typical measured performance mounted on RO4350B test board at 25°C.

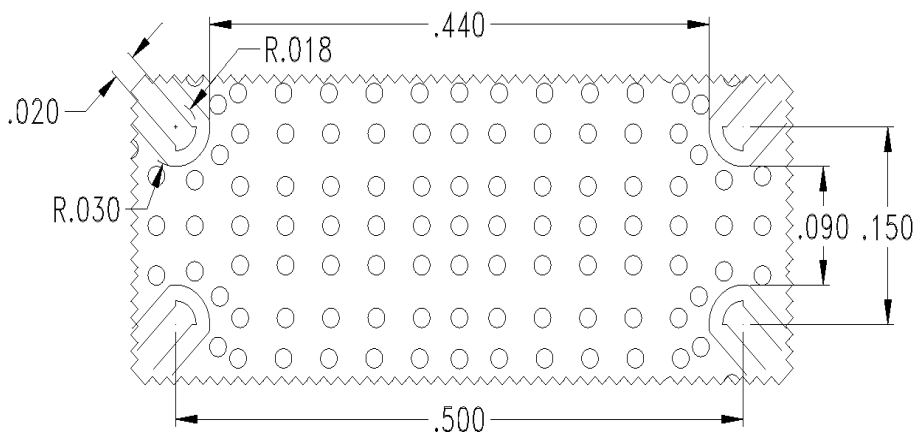
2 to 18GHz 10dB Directional Coupler

FPC07234

Physical Dimensions = inches [mm]



Recommended PCB Layout



- 50Ω trace dimensions are application specific.
- Ensure adequate grounding beneath the part.
- Trace feed locations can be horizontal, vertical, or angled.

