



Que-2-TXT™
Questions?
scan to text us fast



F117 PLASTIC LED SIGN RETROFIT LAMP

DOUBLE SIDE LIT, HIGH BRIGHTNESS

132W

fluorescent equal

specifications

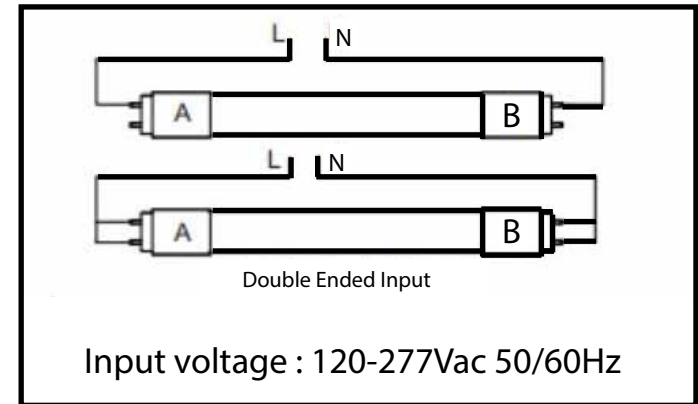
| Voltage | CRI | BASE | Lens | Heat Sink | L70 hours | Ambient Temp (F) | Power Factor | IP Rating | THC | Beam Angle |
|-------------|-----|------|---------------------|-----------|-----------|------------------|--------------|-----------------------|------|------------|
| ⚡ 100-277 V | 83 | R17D | double-side plastic | aluminum | 50,000 | -22°- 131° | >0.9 | IP 64 except for base | <15% | 360° |

select your lamp

| Part Number | Color Temp | Consumption | Lumen Output | Efficacy | Length (pin to pin) | Diameter |
|------------------------|------------|-------------|--------------|------------|---------------------|----------|
| GH-F117T10-CC132-R17D4 | 6000K | 55W | 7,150 | 130 lm / w | 114.91" | 1.28" |

| Warranty | Weight | Case QTY |
|----------|----------|----------|
| 6 years | 4.81 lbs | 10 pcs |

Installation Diagram



Features

- ▶ Rotatable base
- ▶ Rated for fully enclosed fixtures
- ▶ 50,000 hour LED lifespan based on IES LM-80 results and TM-21 calculations
- ▶ Double-side powered
- ▶ Designed for double sided signs
- ▶ Replaces F117T12/HO lamps



/greenignite
@greenignite



www.greenignite.com



info@greenignite.com



1-877-560-3779