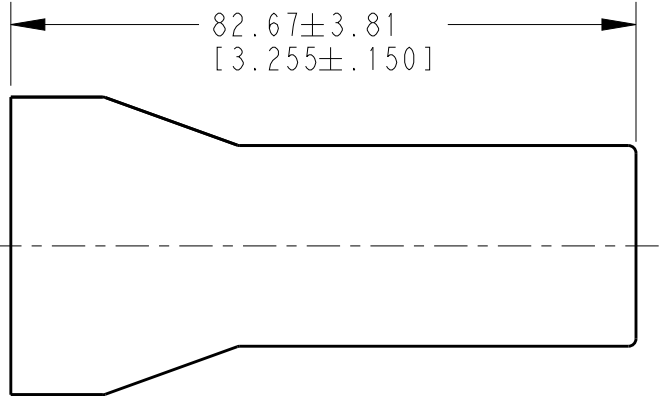
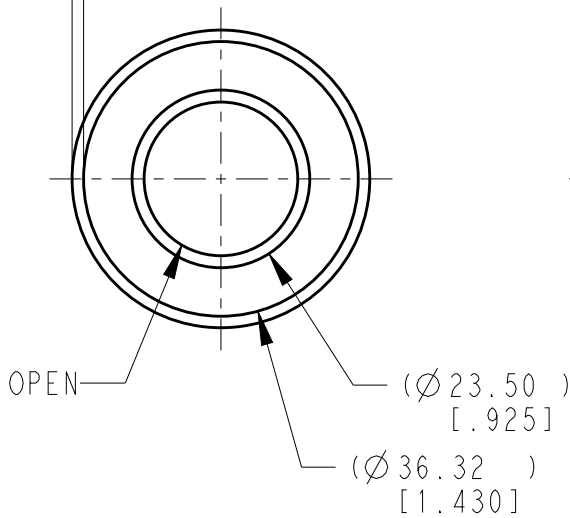


SCALE 1:2

REVISIONS

P	LTR	DESCRIPTION	DATE	DWN	APVD
	A	NEW RELEASE PER ECO-14-013277	27AUG2014	DM	DM
	A1	REVISE PER PCN E-19-014486	16SEP2019	JA	DM

1.52±0.25
[.060±.010]
MEASURED 6.35±0.64
[.250±.025]
FROM OPEN END



3. THIS ACCESSORY PART IS PROVIDED WITHOUT TYPICAL TRANSPORTATION INDUSTRY PROCESS CONTROLS. NO VALIDATION TESTING HAS BEEN PERFORMED. CUSTOMER IS RESPONSIBLE FOR DETERMINING PRODUCT PERFORMANCE AND SUITABILITY FOR APPLICATION.
2. TEMPERATURE RATING: -29°C TO +100°C [-20°F TO +212°F].
1. THIS PART IS USED ON
HDP24-24-XXX RECEPTACLES
HDP26-24-XXX PLUGS
HD34-24-XXX RECEPTACLES
HD36-24-XXX PLUGS
WHERE XXX IS PIN ARRANGEMENTS.

NOTES:

TE INTERNAL PN	DEUTSCH PN
HD30-24BT	HD30-24BT

2019
 RELEASED FOR PUBLICATION
 ALL RIGHTS RESERVED.
 BY TE CONNECTIVITY
 COPYRIGHT 2014
 THIS DRAWING IS UNPUBLISHED.

DIMENSIONS:	
mm [INCHES]	
TOLERANCES UNLESS OTHERWISE SPECIFIED:	
0 PLC	±
1 PLC	±
2 PLC	±
3 PLC	±0.63 [.025]
4 PLC	±
ANGLES	±0°30'0"

DWN D.MEYER	27AUG2014
CHK I.GRANTCHAROVA	27AUG2014
APVD D.MEYER	27AUG2014
PRODUCT SPEC	
APPLICATION SPEC	
WEIGHT	11.72g
CUSTOMER DRAWING	

MATERIAL	PVC	FINISH	GRAY
TE Connectivity			
NAME BOOT, SIZE 24 HD30/HDP20 SERIES			
SIZE	CAGE CODE	DRAWING NO	RESTRICTED TO
A 4	4AFU8	©-HD30-24BT	-
SCALE		SHEET	REV
1:1		1 OF 1	A1