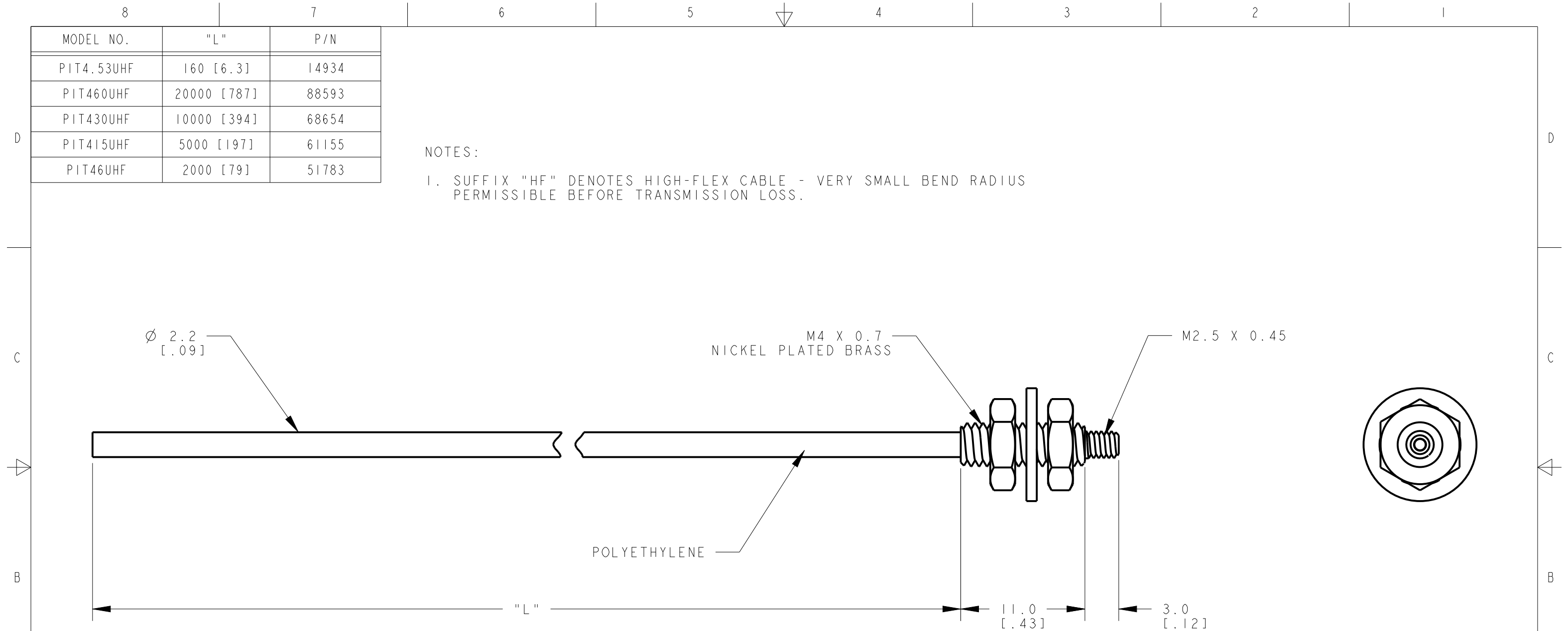


MODEL NO.	"L"	P/N
PIT4.53UHF	160 [6.3]	14934
PIT460UHF	20000 [787]	88593
PIT430UHF	10000 [394]	68654
PIT415UHF	5000 [197]	61155
PIT46UHF	2000 [79]	51783

NOTES:

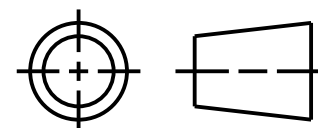
- SUFFIX "HF" DENOTES HIGH-FLEX CABLE - VERY SMALL BEND RADIUS PERMISSIBLE BEFORE TRANSMISSION LOSS.




- NOTES:
- ALL DIMENSIONS ARE MILLIMETERS [INCHES] UNLESS OTHERWISE NOTED.
 - REFER TO "www.bannerengineering.com" FOR ADDITIONAL DATA AND SPECIFICATIONS.

This drawing is the property of BANNER ENGINEERING CORP. Any use or reproduction, in any form, without prior written permission of Banner is prohibited. © 2015 Banner Engineering Corp.

THIRD ANGLE PROJECTION



 BANNER ENGINEERING CORP. www.bannerengineering.com		TITLE
		PIT4 SERIES UNTERMINATED HIGH FLEX
SIZE B	DRAWING NO. 161889	REV. A
SCALE 3:1	SHEET 1 OF 1	

CREO