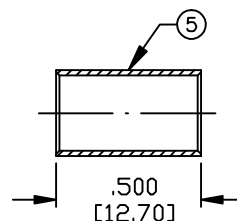
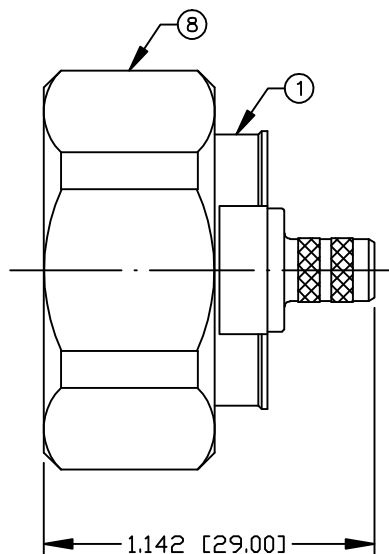


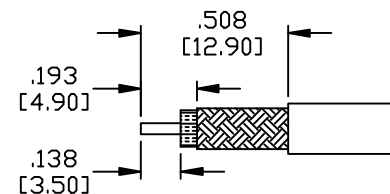
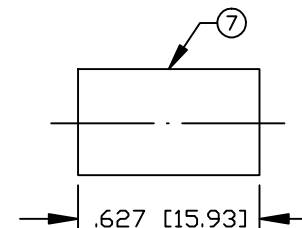
PART NO.

RFD-1604-4X

REV	DESCRIPTION	DWN	DATE	APPROVED
-	ENGINEERING RELEASE	CZS	08/23/19	JDMc



RECOMMENDED CRIMP DIE: .255"

RECOMMENDED STRIPPING DIMENSIONS
FOR SOLID CENTER CONDUCTOR CABLES ONLY**SPECIFICATIONS:**

IMPEDANCE: 50 Ohms

FREQUENCY RANGE: 0-3 GHz

INSERTION LOSS(dB): $0.01 \times \sqrt{f(\text{GHz})}$

VSWR: <1.15 @ 3 GHz

TEMPERATURE RANGE: -40°C TO 80°C

FOR TIMES LMR-240

#	DESCRIPTION	QTY	MATERIAL	FINISH
8	COUPLING NUT	1	BRASS	NICKEL
7	TUBING	1	HEAT SHRINK	----
6	O-RING	1	RUBBER	----
5	FERRULE	1	COPPER	NICKEL
4	RETAINING RING	1	BRASS	NICKEL
3	PIN	1	BRASS	GOLD
2	INSULATOR	1	PTFE	----
1	BODY	1	BRASS	NICKEL

CUSTOMER
OUTLINE DRAWINGALL DIMENSIONS
ARE REFERENCE ONLYUNLESS OTHERWISE SPECIFIED:
DIMENSIONS ARE IN INCHES
AND [MILLIMETERS]DRAWN
C. ZUNIGA 08/23/19
CHECKEDORJ DRAWN
C. ZUNIGA 08/23/19R O HS
COMPLIANTPROPRIETARY AND CONFIDENTIAL
THIS DRAWING CONTAINS
INFORMATION PROPRIETARY TO
RF INDUSTRIES. ANY
UNAUTHORIZED USE OF THIS
DRAWING IS EXPRESSLY
PROHIBITED WITHOUT WRITTEN
PERMISSION FROM RF
INDUSTRIES. ANY VIOLATION IS
PUNISHABLE UNDER U.S.
COPYRIGHT LAWS.

RFconnectors
DIVISION OF RF INDUSTRIES, LTD. (858) 549-6345 FAX

RFINDUSTRIES.COM
7610 MIRAMAR RD.
SAN DIEGO, CA 92126
(858) 549-6340

7/16 DIN MALE, CRIMP
CAPTIVATED PIN FOR LMR-240

CABLE GROUP	DWG #	REVISION
N/A	RFD-1604-4X	---
FORMAT	SCALE	CONTROL #
A	NTS	000000
		SHEET 1 OF 1