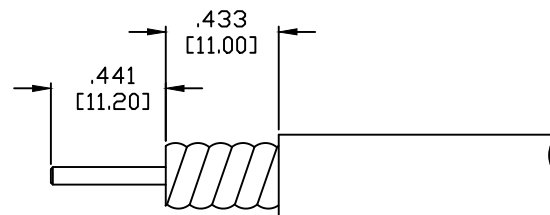
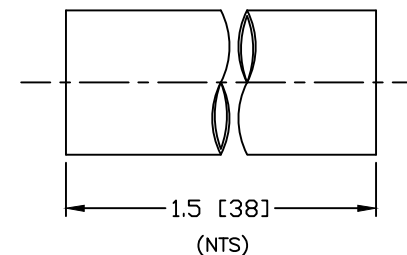
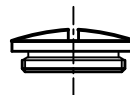
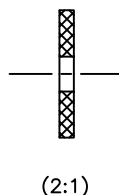
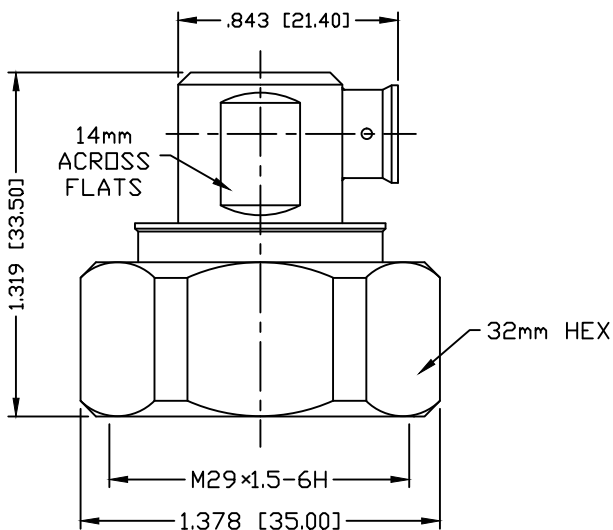


PART NO.

RFD-1610-HPL

REV	DESCRIPTION	DWN	DATE	APPROVED
A	CORRECT CONNECTOR'S IMAGE	CZS	08/25/16	JDMc



RECOMMENDED STRIPPING DIMENSIONS

SPECIFICATIONS:

INTERFACE: IEC61169-4

IMPEDANCE: 50 Ohms

FREQUENCY RANGE: 0-3 GHz

VSWR: <1.15:1

DIELECTRIC WITHSTANDING VOLTAGE: 1500V/AC

PIM: ≤-155 dBc

INSULATION RESISTANCE: 5000MΩ

TEMPERATURE RANGE: -40°C TO 155°C

MECHANICAL DURABILITY: 500 cycles

10	HEX SHELL	1	BRASS	WHITE BRONZE
9	SOLDER FERRULE	1	BRASS	WHITE BRONZE
8	REAR INSULATOR	1	PTFE	---
7	SCREW CAP	1	BRASS	WHITE BRONZE
6	GROUND RING	1	BRASS	WHITE BRONZE
5	O-RING	1	RUBBER	---
4	SOLDER CONTACT	1	BRASS	SILVER
3	PIN	1	BRASS	SILVER
2	BEAD	1	PTFE	---
1	BODY	1	BRASS	WHITE BRONZE
#	DESCRIPTION	QTY	MATERIAL	FINISH

CUSTOMER
OUTLINE DRAWINGALL DIMENSIONS
ARE REFERENCE ONLYUNLESS OTHERWISE SPECIFIED:
DIMENSIONS ARE IN INCHES
AND [MILLIMETERS]DRAWN
C. ZUNIGA 08/25/16
CHECKEDORJ DRAWN
C. ZUNIGA 03/23/15**RoHS
COMPLIANT**PROPRIETARY AND CONFIDENTIAL
THIS DRAWING CONTAINS
INFORMATION PROPRIETARY TO
RF INDUSTRIES, ANY
UNAUTHORIZED USE OF THIS
DRAWING IS EXPRESSLY
PROHIBITED WITHOUT WRITTEN
PERMISSION FROM RF
INDUSTRIES. ANY VIOLATION IS
PUNISHABLE UNDER U.S.
COPYRIGHT LAWS.**RFconnectors**
DIVISION OF RF INDUSTRIES, LTD. 7610 MIRAMAR RD.
SAN DIEGO, CA 92126
(858) 549-6340
(858) 549-6345 FAX**DIN PLUG, SOLDER**
RIGHT ANGLE FOR SPP-250-LLPL

SIZE	CABLE GROUP	DWG NO.	REV
A	N/A	RFD-1610-HPL	A
SCALE:	ENGINEERING ID:	SHEET 1 OF 1	
NTS	000000		