

**ALUMINUM NITRIDE**

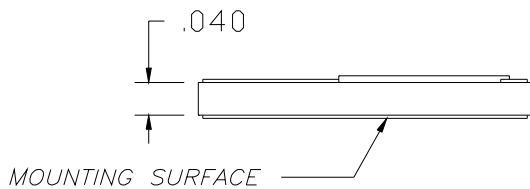
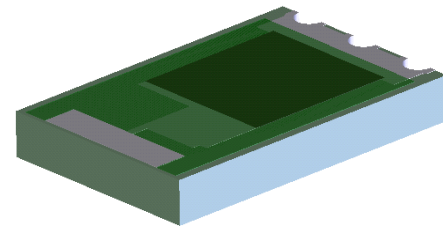
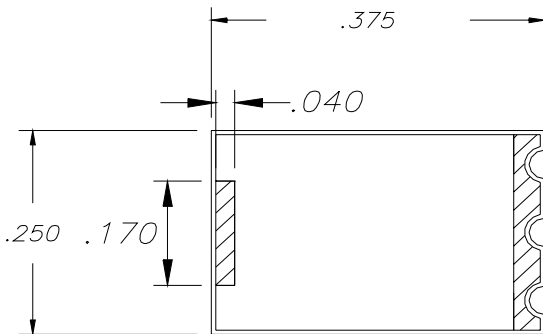
**CHIP TERMINATION**

**Features:**

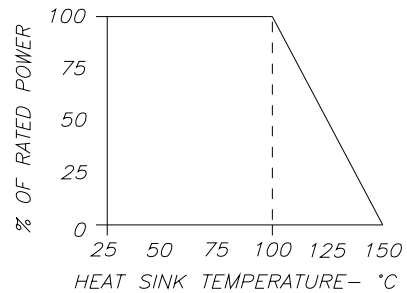
- ◆ Aluminum Nitride material
- ◆ DC-3.5 GHz performance
- ◆ 150 watt input power
- ◆ Solder mountable

**General Description:**

The TVC3725CT-50R0JN-2T-01 is a 50 ohm Aluminum Nitride solder mountable termination, with a matte tin over nickel over silver finish. This device has an input power of 150 watts, and a frequency range from DC - 3.5 GHz.



**DERATING CURVE:**



Parameter	Min.	Typ.	Max.	Units
Frequency Range	DC		3.5	GHz
Resistance	47.5	50	52.5	Ohms
Input Return Loss (DC - 2 GHz) (2-3.5 GHz)	26 20			dB dB
Input Power			150	Watts
Mounting Surface Temperature			100	°C

\* Barry Industries reserves the right to change part number and or process without notification

Barry Industries, Inc., 60 Walton St., Attleboro, MA 02703 T: 508-226-3350 F: 508-226-3317 E-mail: sales@barryind.com

Barry Industries maintains an ISO 9001 Certified Quality Management System

Origination Date	Revision Date	Rev.
7/16/04	8/13/07	C