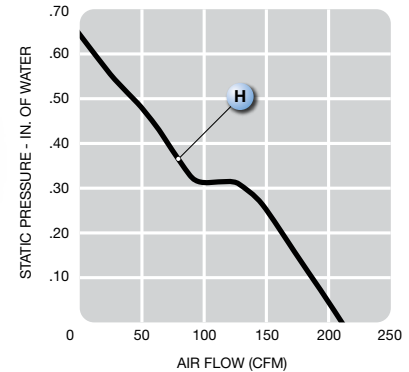
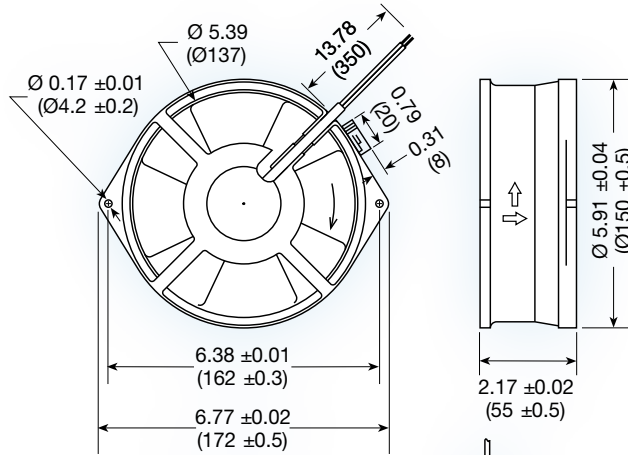


UF15KM series



(172 x 150 x 55 mm)
6.77 x 5.91 x 2.17 inches



Features: high temp operating temperature range -40°C ~ 90°C

LEAD WIRE TYPE

Operating voltage: 115 or 230 VAC

Construction: aluminum die cast frame;
metal Impeller

Bearing option: ball bearing

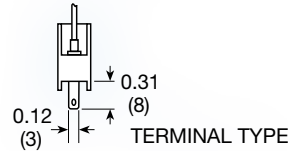
Motor: shaded pole

Air Flow: exhaust over struts

Connection: terminal or 22 AWG lead wire

Protection: thermal

Option: tachometer output



Model No.	Rated Voltage V	Freq. HZ	Input Power W	Rated Cur. A	Locked Cur. A	Speed RPM	Air Volume		Max. Static Pressure (H ₂ O)		Sound Noise dB _A	Weight kg
							M ³ /Min.	CFM	MM	INCH		
UF15KM12-__H	115	60	42	0.47	0.75	3,250	6.5	230	16	0.63	53	1.10
UF15KM23-__H	230	60	42	0.23	0.37	3,250	6.5	230	16	0.63	53	1.10

