

# Customer Information Sheet

DRAWING No.: Z300-922

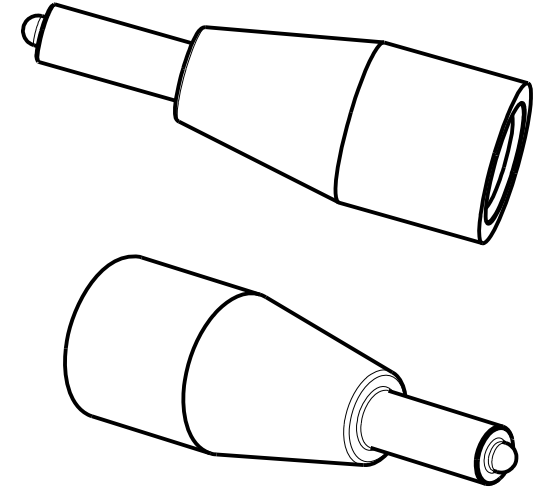
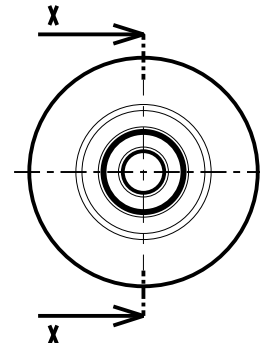
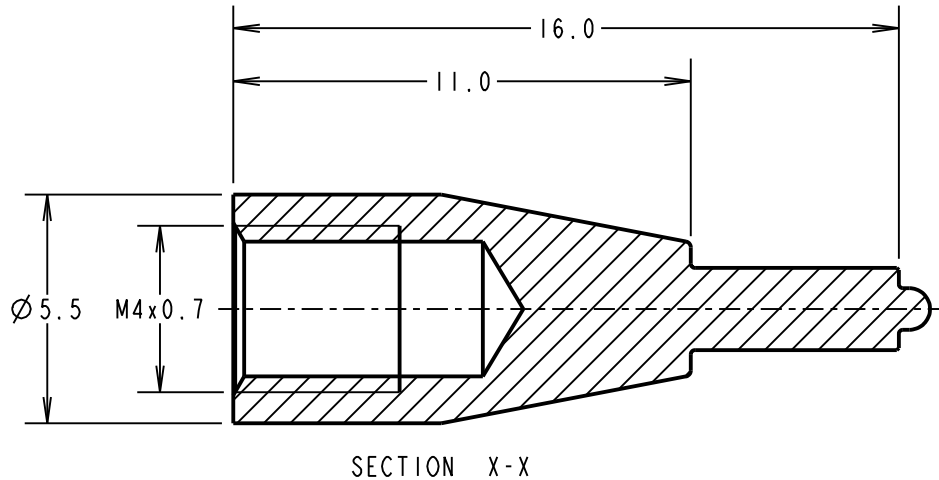
IF IN DOUBT - ASK

©

NOT TO SCALE

THIRD ANGLE PROJECTION

ALL DIMENSIONS IN mm



RTP	2	14.01.21	30342
NAME	ISS.	DATE	CN/CO
APPROVED:		R.PORTLOCK	
CHECKED:		M.RUDKIN	
DRAWN:		R.PORTLOCK	
CUSTOMER REF.:			
ASSEMBLY DRG:			

**NOTES:**

1. TIP IS SUITABLE FOR USE WITH INSERTION AND WITHDRAWAL TOOL Z300-902.
2. FOR USE WITH M300-00100XX & M300-00200XX FEMALE CRIMP CONTACTS.
3. SEE TOOLING INSTRUCTION SHEET IS-40 FOR INSERTION AND WITHDRAWAL INSTRUCTIONS.

**HARWIN**

www.harwin.com  
technical@harwin.com

THIS DRAWING AND ANY INFORMATION OR DESCRIPTIVE MATTER SET OUT HEREON ARE CONFIDENTIAL AND COPYRIGHT PROPERTY OF THE HARWIN GROUP AND MUST NOT BE DISCLOSED, LOANED, COPIED OR USED FOR MANUFACTURING, TENDERING OR FOR ANY OTHER PURPOSE WITHOUT THEIR WRITTEN PERMISSION.

**TOLERANCES**  
 X. = ±1mm  
 X.X = ±0.50mm  
 X.XX = ±0.20mm  
 X.XXX = ±0.01mm  
 ANGLES = ±5°  
 UNLESS STATED

**MATERIAL:**  
 STAINLESS STEEL  
**FINISH:** CLEAN  
**S/AREA:** mm<sup>2</sup>

**TITLE:**  
 REMOVAL TIP FOR FEMALE  
 M300 CRIMP CONTACTS

**DRAWING NUMBER:**  
 Z300-922

SHT  
 2 OF 2