



Defense
and Aerospace

KEMET
CHARGED.™

Ceramic High Voltage, High Temperature Capacitors

	KEMET Series	Page
Performance Information		1-4
High Temperature, High Voltage Axial/Radial	HT/HP	5-7
High Temperature, High Voltage Radial	HV	8-9
High Voltage Conformally Coated Radial	HV	10-14
High Voltage MIL-PRF-49467 (Equivalent)	HV	15-17
High Voltage Space Quality	HS	18-22
High Voltage Ceramic Chip	1515/1812/1825/2020/ 2225/2520/3333//3530 4040/4540/5440/5550/6560	23-27
High Voltage L & J Leaded	SM20/SM21/SM22/SM23 SM24/SM25/SM26/SM30/ SM31/SM33/SM34/SM35/SM36	28-32
High Voltage Disc	D30/40/50/75/90/100/120	33-34
High Voltage Disc Multiplier Stacks	D30/40/50/75/90/100/120	35

GENERAL SPECIFICATIONS

Working Voltage:

C0G	50, 100, 200, 500, 1k, 2k, 3k, 4k, 5k, 7.5k, 10k, 15k, 20k
X7R	50, 100, 200, 500, 1k, 2k, 3k, 4k, 5k, 7.5k, 10k, 15k, 20k, 30k, 40k, 50k
X5U	3k, 4k, 5k, 7.5k, 10k, 15k, 20k

Temperature Characteristics:

C0G	0 + 30 PPM / °C from - 55°C to + 125°C (1)
X7R	+ 15% from - 55°C to + 125°C
X5U	+ 22%, -56% from -55°C to + 85°C

Capacitance Tolerance:

C0G	+0.5pF, +1%, +2%, +5%, +10%
X7R	+10%, +20%, +80% / -20%, +100% / -0%
X5U	+10%, +20%, +80% / -20%, +100% / -0%

Construction:

Epoxy encapsulated - meets flame test requirements of UL Standard 94V-0.
High-temperature solder - meets EIA RS-198, Method 302, Condition B (260°C for 10 seconds)

Termination Material:

Check individual Series: Part Number and Ordering Information for Termination Materials offered in each series.

Solderability:

MIL-STD 202, Method 208
(Test Method: ANSI/J-STD-002)
Test A for through-hole mount and surface mount leaded.
Test B for surface mount leadless components.

Terminal Strength:

MIL-STD 202, Method 208, Condition A (2.3kg or 5 lbs)

Resistance to Solvents:

MIL-STD 202, Method 215

Resistance to Soldering Heat:

MIL-STD 202, Method 210, Test Condition C

ELECTRICAL

Capacitance @ 25°C:

Within specified tolerance and following test conditions per MIL-STD 202, Method 305.
C0G, X7R & X5U
> 100pF with 1.0 vrms @ 1 kHz with 1.0 vrms
< 100pF with 1.0 vrms @ 1 MHz with 1.0 vrms

Dissipation Factor @ 25°C:

Same test conditions as capacitance.
C0G - 0.15% maximum
X7R - 2.5% maximum
X5U - 2.5% maximum

Insulation Resistance @25°C:

MIL-STD 202, Method 302
C0G & X7R:
100 gigohm or 1 gigohm x uF, whichever is less.
<500V test @ rated voltage, >1kV test @ 500V.
X5U:
10 gigohm or 100 megohm x uF, whichever is less.
<500V test @ rated voltage, >1kV test @ 500V.

Dielectric Withstanding Voltage:

MIL-STD 202, Method 301
<200V test @ 250% of rated voltage
500V to 1250V test @ 150% of rated voltage
>1251V test @ 120% of rated voltage

ENVIRONMENTAL

Vibration:

MIL-STD 202, Method 204, Condition D (20g)

Shock:

MIL-STD 202, Method 213, Condition I (100g)

Life Test:

MIL-STD 202, Method 108

<200V

C0G - 200% rated voltage @ +125°C
X7R - 200% rated voltage @ +125°C

>500V

C0G - rated voltage @ +125°C
X7R - rated voltage @ +125°C
X5U - rated voltage @ +85°C

Post Test Limits @ 25°C are:

Capacitance Change:
C0G (< 200V) - +3% or 0.25pF, whichever is greater.
C0G (> 500V) - +3% or 0.50pF, whichever is greater.
X7R - + 20% of initial value (2)

Dissipation Factor:

C0G - 0.25% maximum
X7R & X5U - 3.0% maximum

Insulation Resistance:

C0G & X7R:
100 gigohm or 1 gigohm x uF, whichever is less.
<500V test @ rated voltage, >1kV test @ 500V.

X5U:

10 gigohm or 100 megohm x uF, whichever is less.
<500V test @ rated voltage, >1kV test @ 500V.

Moisture Resistance:

MIL-STD 202, Method 106
Post Test Limits @ 25°C are:

Capacitance Change:
C0G (< 200V) - +3% or 0.25pF, whichever is greater.
C0G (> 500V) - +3% or 0.50pF, whichever is greater.
X7R - + 20% of initial value (2)

Dissipation Factor:

C0G - 0.25% maximum
X7R & X5U - 3.0% maximum

Insulation Resistance:

C0G & X7R:
100 gigohm or 1 gigohm x uF, whichever is less.
<500V test @ rated voltage, >1kV test @ 500V.

X5U:

10 gigohm or 100 megohm x uF, whichever is less.
<500V test @ rated voltage, >1kV test @ 500V.

Thermal Shock:

MIL-STD 202, Method 107, Condition A
C0G & X7R: -55°C to 125°C
X5U: -55°C to 85°C

- (1) +53 PPM -30 PPM/ °C from +25°C to -55°C, + 60 PPM below 10pF.
- (2) X7R & X5U dielectrics exhibit aging characteristics; therefore, it is highly recommended that capacitors be deaged for 2 hours at 150°C and stabilized at room temperature for 48 hours before capacitance measurements are made.

	HIGH TEMPERATURE	HIGH VOLTAGE
MILITARY & AEROSPACE		
Avionics	X	X
Radar Systems	X	X
Telemetry, Data Tx/Rx		X
Control Systems	X	
MEDICAL		
.5 to 1.5 Tesla MR1 &		X
NM1 Tuning Coils		X
1 to 3 Tesla MR1 Gradient		X
Coils & Magnetic Rings		X
CT-Scanner		X
Medical MRI		X
X-Ray Generator	X	X
SEMICONDUCTOR		
RF Tuning Networks		X
RF Power Supplies		X
Semiconductor Manufacturing	X	
SECURITY		
Handheld Scanners		X
Intruder Detection Systems		X
Luggage Scanners		X
Metal/Explosive Detector		X
OTHER		
LCD Backlight Inverter		X
Electric Ballast for CFL	X	X
Electric Ballast for Fluorescent Lamp	X	X
Measurement Equipment	X	X
Microwave/Convection Ovens	X	X
POWER SUPPLY		
HV Power Supply	X	X
Power Station Equipment		X
Power Supply for Air Conditioner, Washing Machine		X
Inverter Power Supply-AC	X	
TELECOM		
Base Station Power amps		X
Broadcasting Equipment		X
MODEM		
DAA Modem		X
xDSL Modem		X
LAN, Router, HUB, Switches		X
RF Power Amplifiers		X
INDUSTRIAL		
Oil Rigging, Down Hole, Mining	X	X

	ELECTRICAL			ENVIRONMENTAL	MECHANICAL
	Voltage Range	Capacitance Range	Dissipation Factor	Operating Temperature Range	Configuration
HIGH VOLTAGE					
Radial Conformally Coated					
Std	C0G/X7R: 500 to 10k VDC	C0G:12 pF - .330μF X7R: 220 pF - 5.6 μF	C0G: 0.15% max X7R: 2.5% max	C0G: -55°C to + 125°C X7R: -55°C to + 125°C	Radial
Mil-PRF-49467 Equivalent	C0G/X7R: 600 to 5k VDC	C0G: 12 pF - .68 μF X7R: 27 pF - .47 μF	C0G: 0.15% max X7R: 2.5% max	C0G/X7R: -55°C to + 125°C	Radial
Space Quality	C0G/X7R: 500 to 10k VDC	C0G/X7R: 560 pF - 2.20μF	C0G: 0.15% max X7R: 2.5% max	C0G/X7R: -55°C to + 125°C	Radial
Ceramic Surface Mount Chip					
Military	C0G/X7R: 500 to 5k VDC	C0G: 12 pF- .10 μF X7R: 270 pF -2.50 μF	C0G: 0.15% max X7R: 2.5% max	C0G/X7R: -55°C to + 125°C	Chip
Leaded Chips J or L lead	C0G/X7R: 500 to 10k VDC	C0G: 12 pF-.330 μF X7R: 220 pF-5.6 μF	C0G: 0.15% max X7R: 2.5% max	C0G/X7R: -55°C to + 125°C	Leaded Chip J or L Lead
Disc	C0G/X5U: 3k to 20k VDC, X7R:3k to 50k VDC	C0G: 1.2 pF-236 pF X7R: 10 p -7400 pF X5U: 80 pF-17300 pF	C0G: 0.15% max X7R: 2.5% max X5U: 2.5% max	C0G/X7R: -55°C to + 125°C X5U: -55°C to + 85°C	Disc
Disc Stack	C0G/X7R/X5U: 5k to 20k VDC	C0G: 1.2 pF-141 pF X7R: 37 pF-4400 pF X5U: 80 pF-10400 pF	C0G: 0.15% max X7R: 2.5% max X5U: 2.5% max	C0G/X7R: -55°C to + 125°C X5U: -55°C to + 85°C	Disc Stack

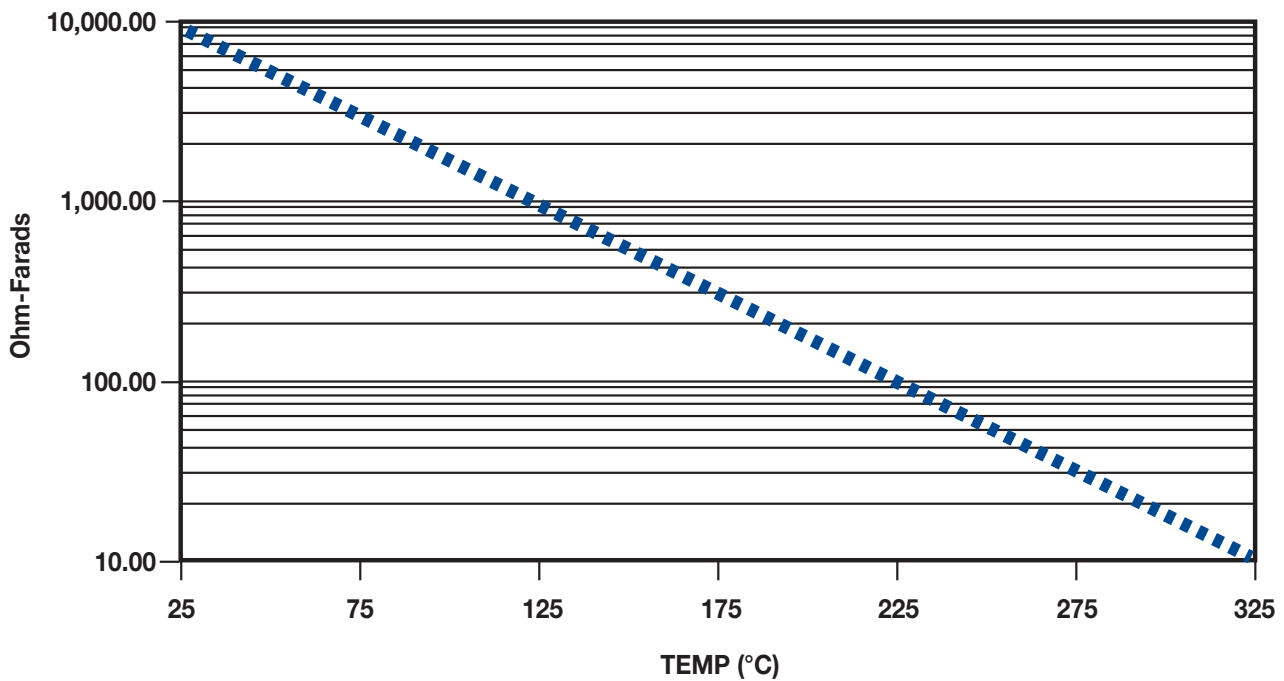
HIGH TEMPERATURE

Hi Temp (HT/HP)	100 to 200 VDC	C0G: 22 pF-.100 μF X7R:1000 pF-1.0μF	C0G 0.15% X7R Type 2.0% X7R 2.50%	-55°C to + 200°C	Axial/Radial
Hi Temp Hi Volt (HV)	500 to 4000 VDC	C0G: 390 pF-.015 μF X7R:1400 pF- .270 μF	C0G 0.15% X7R Type 2.0% X7R 2.50%	-55°C to + 200°C	Radial
Ceramic Cased Capacitor					
Std 125°C (SCR/SRR/SCA/SRA)	50 to 200 VDC	C0G: 1.0 pF- .12 μF X7R:100 pF- 6.8 μF	C0G 0.15% X7R 2.50%	-55°C to + 125°C	Axial/Radial
200°C (ACR/ARR/ACA/ARA)	50 to 100 VDC	C0G: 1.0 pF- .12 μF X7R:100 pF- 3.3 μF	C0G 0.15% X7R 2.50%	-55°C to + 200°C	Axial/Radial
260°C (TCR/TRR/TCA/TRA)	50 to 100 VDC	C0G: 1.0 pF- .12 μF X7R:100 pF- 3.3 μF	C0G 0.15% X7R 2.50%	-55°C to + 260°C	Axial/Radial
Hi Temp Hi Volt (VCR/VRR)	500 to 5000 VDC	C0G: 10 pF-.056 μF X7R:330 pF-1.2μF	C0G 0.15% X7R 2.50%	-55°C to + 200°C	Radial

DIELECTRIC COMPARISONS

Features	Ultra Stable	Semi-Stable High Voltage	Semi-Stable Hi-Temp	Temp/Volt Dependent
Dielectric Type	C0G (NPO)	X7R	X7R type	X5U
Temperature Coefficient	0 ±30ppm/°C	±15%	+15/-40%	+22-56%
Operating Temp. Range	-55 to +200°C	-55 to +125°C	-55 to +200°C	-55 to +125°C
Dissipation Factor	0.1% max.	2.5% max.	2.0% max.	2.5% max.
Aging Rate	None	-2.0% max/dec. hour	-2.0% max/dec. hour	-2.0% max/dec. hour
Voltage Range	25 to 20k VDC	50 to 50k VDC	25 to 4k VDC	Up to 20K VDC
Standard Tolerance	J, K, M	K, M, P, Z	K, M, P, Z	M, P, Z
Coefficient of Thermal Expansion @ 25°C	9 X 10-6 IN/IN °C	11 X 10-6 IN/IN °C	11 X 10-6 IN/IN °C	11 X 10-6 IN/IN °C

**TYPICAL INSULATION RESISTANCE VS. TEMP (C°)
FOR C0G, NPO & X7R DIELECTRICS**



FEATURES

The HT/HP Series is used in robust applications

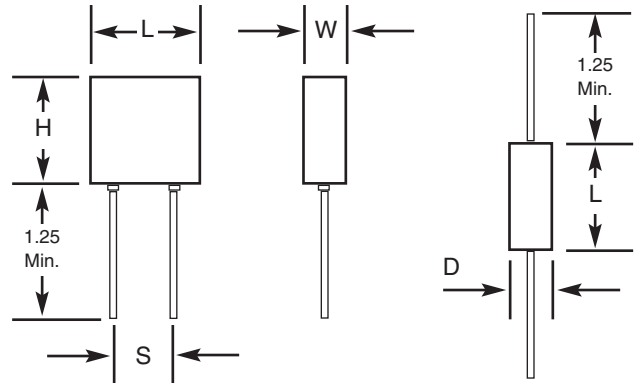
- Down Hole
- Industrial
- Harsh Environments

Where a Radial/Axial coated capacitor can withstand high temperatures (200°C).

NOTE:

Other tolerances, higher capacitance values, voltages, or special package configurations are available upon request.

CAPACITOR OUTLINE DRAWING



DIMENSIONS

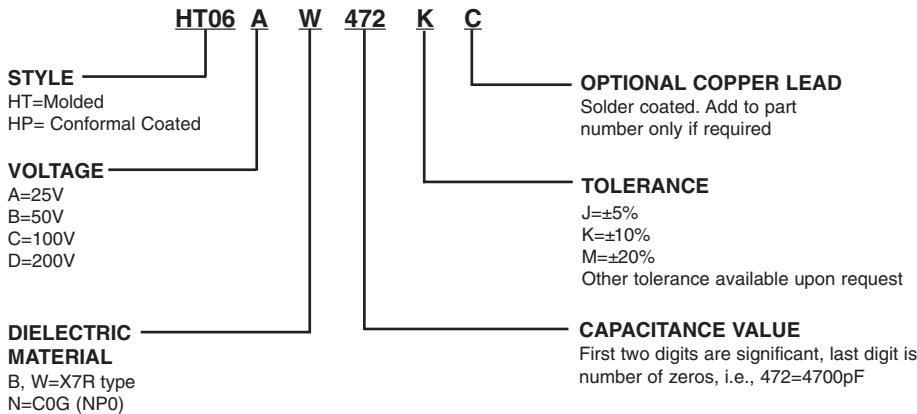
Molded (HT) and Conformal Coated (HP), Radial Lead Types

Style	Sizes in Inches (mm) max			Lead Spacing ±0.030 (S)
	Length (L)	Height (H)	Thickness (W)	
HT05	.200 (5.08)	.200 (5.08)	.100 (2.54)	.100 (2.54)
HT55	.200 (5.08)	.200 (5.08)	.100 (2.54)	.200 (5.08)
HT06	.300 (7.62)	.300 (7.62)	.150 (3.81)	.200 (5.08)
HT08	.500 (12.70)	.500 (12.70)	.250 (6.35)	.400 (10.16)
HT09	.700 (17.78)	.400 (10.16)	.200 (5.08)	.500 (12.70)

Tubular Case, Axial Lead Types

Style	Sizes in Inches (mm) max	
	Length (L)	Diameter (D)
HT11	.170 (4.32)	.100 (2.54)
HT13	.260 (6.60)	.135 (3.43)
HT14	.400 (10.16)	.155 (3.94)
HT15	.500 (12.70)	.200 (5.08)
HT16	.750 (19.05)	.375 (9.52)

PART NUMBER AND ORDERING INFORMATION



MARKING
(HT05, HT55, HT11)
472K
KEC

(All other sizes)
HT06AW472K
KEC
Date Code

For CONFORMAL COATED types, change style number to HPXX. HP dimensions will be reduced slightly.

COG & X7R DIELECTRIC

Radial COG							Radial X7R											
Series		HT/HP05	HT/HP55	HT/HP06	HT/HP08	HT/HP09	Series		HT/HP05	HT/HP55	HT/HP06	HT/HP08	HT/HP09					
Cap	W max	.200 (5.08)	.200 (5.08)	.300 (7.62)	.500 (12.70)	.700 (17.78)	Cap	W max	.200 (5.08)	.200 (5.08)	.300 (7.62)	.500 (12.70)	.700 (17.78)					
	H max	.200 (5.08)	.200 (5.08)	.300 (7.62)	.500 (12.70)	.400 (10.16)		H max	.200 (5.08)	.200 (5.08)	.300 (7.62)	.500 (12.70)	.400 (10.16)					
	T max	.100 (2.54)	.100 (2.54)	.150 (3.81)	.250 (6.35)	.200 (5.08)		T max	.100 (2.54)	.100 (2.54)	.150 (3.81)	.250 (6.35)	.200 (5.08)					
	S ±.030	.100 (2.54)	.200 (5.08)	.200 (5.08)	.400 (10.16)	.500 (12.70)		S ±.030	.100 (2.54)	.200 (5.08)	.200 (5.08)	.400 (10.16)	.500 (12.70)					
	Lead Dia.	.025 (.635)	.025 (.635)	.025 (.635)	.025 (.635)	.025 (.635)		Lead Dia.	.025 (.635)	.025 (.635)	.025 (.635)	.025 (.635)	.025 (.635)	.025 (.635)				
Cap Code	WVDC	WVDC			WVDC			Cap Code	WVDC	WVDC			WVDC					
		50	100	200	50	100	200			50	100	200	50	100	200	50	100	200
1.0pF	109							100pF	101									
1.2	129							120	121									
1.5	159							150	151									
1.8	189							180	181									
2.2	229							220	221									
2.7	279							270	271									
3.3	339							330	331									
3.9	399							390	391									
4.7	479							470	471									
5.6	569							560	561									
6.8	689							680	681									
8.2	829							820	821									
10	100							1000	102									
12	120							1200	122									
15	150							1500	152									
18	180							1800	182									
22	220							2200	222									
27	270							2700	272									
33	330							3300	332									
39	390							3900	392									
47	470							4700	472									
56	560							5600	562									
68	680							6800	682									
82	820							8200	822									
100	101							.010uF	103									
120	121							.012	123									
150	151							.015	153									
180	181							.018	183									
220	221							.022	223									
270	271							.027	273									
330	331							.033	333									
390	391							.039	393									
470	471							.047	473									
560	561							.056	563									
680	681							.068	683									
820	821							.082	823									
1000	102							.10	104									
1200	122							.12	124									
1500	152							.15	154									
1800	182							.18	184									
2200	222							.22	224									
2700	272							.27	274									
3300	332							.33	334									
3900	392							.39	394									
4700	472							.47	474									
5600	562							.56	564									
6800	682							.68	684									
8200	822							.82	824									
.010uF	103							1.0	105									
.012	123							1.2	125									
.015	153							1.5	155									
.018	183							1.8	185									
.022	223							2.2	225									
.027	273							2.7	275									
.033	333							3.3	335									
.039	393							3.9	395									
.047	473							4.7	475									
.056	563																	
.068	683																	
.082	823																	
.10	104																	
.12	124																	
.15	154																	

FEATURES

The HV series not only withstands high temperatures (200°C), but also offers high voltage (500-4000 VDC)

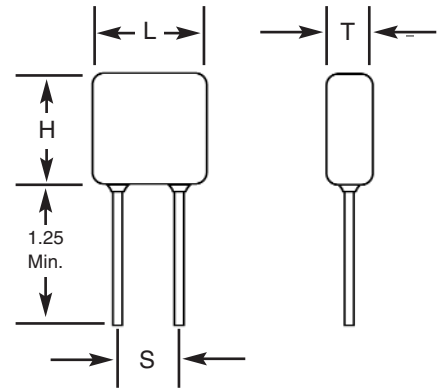
To be used in robust applications

- Down Hole
- Industrial
- Harsh Environments

NOTE:

Other tolerances, higher capacitance values, voltages, or special package configurations are available upon request.

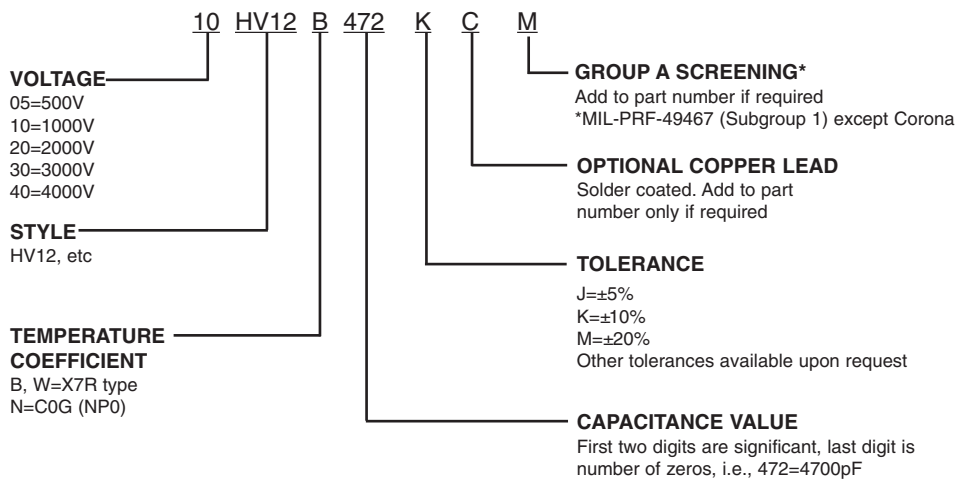
CAPACITOR OUTLINE DRAWING



DIMENSIONS

Style	Sizes in Inches (mm) max.			Lead Spacing ±0.030 (S)
	Length (L)	Height (H)	Thickness (T)	
HV10	.250 (6.35)	.220 (5.59)	.150 (3.81)	.170 (4.32)
HV11	.320 (8.13)	.300 (7.62)	.250 (6.35)	.200 (5.08)
HV12	.420 (10.67)	.400 (10.16)	.250 (6.35)	.300 (7.62)
HV13	.520 (13.21)	.500 (12.70)	.300 (7.62)	.400 (10.16)
HV14	.620 (15.75)	.500 (12.70)	.300 (7.62)	.500 (12.70)
HV15	.720 (18.29)	.700 (17.78)	.300 (7.62)	.600 (15.24)
HV16	.820 (20.83)	.700 (17.78)	.350 (8.89)	.700 (17.78)

PART NUMBER AND ORDERING INFORMATION



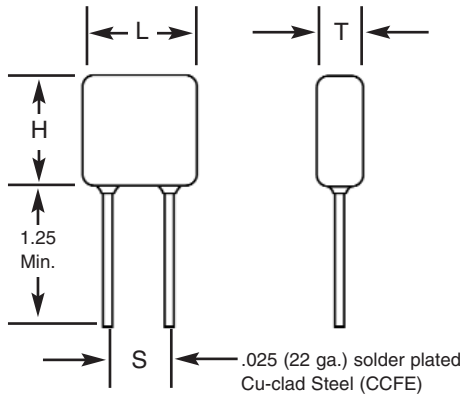
MARKING
(HV10, HV11)
472M
KEC
Date Code

(All other sizes)
HV12B472M
1kV
KEC
Date Code

COG DIELECTRIC

STYLE COG		HV10			HV11			HV12			HV13			HV14			HV15			HV16											
Cap	L max	.250 (6.35)			.320 (8.13)			.420 (10.67)			.520 (13.21)			.620 (15.75)			.720 (18.29)			.820 (20.83)											
	H max	.220 (5.59)			.300 (7.62)			.400 (10.16)			.500 (12.70)			.500 (12.70)			.700 (17.78)			.700 (17.78)											
	W max	.150 (3.81)			.250 (6.35)			.250 (6.35)			.300 (7.62)			.300 (7.62)			.300 (7.62)			.350 (8.89)											
	S ± .030	.170 (4.32)			.200 (5.08)			.300 (7.62)			.400 (10.16)			.500 (12.70)			.600 (15.24)			.700 (17.78)											
	Lead Dia. +.004/-.002	.025 (.635)			.025 (.635)			.025 (.635)			.025 (.635)			.025 (.635)			.025 (.635)			.025 (.635)											
	Cap Code	WVDC			WVDC			WVDC			WVDC			WVDC			WVDC			WVDC											
pF		500	1k	2k	500	1k	2k	3k	500	1k	2k	3k	500	1k	2k	3k	500	1k	2k	3k	4k	500	1k	2k	3k	4k	500	1k	2k	3k	4k
12pF	120																														
15	150																														
18	180																														
22	220																														
27	270																														
33	330																														
39	390																														
47	470																														
56	560																														
68	680																														
82	820																														
100	101																														
120	121																														
150	151																														
180	181																														
220	221																														
270	271																														
330	331																														
390	391																														
470	471																														
560	561																														
680	681																														
820	821																														
1000	102																														
1200	122																														
1500	152																														
1800	182																														
2200	222																														
2700	272																														
3300	332																														
3900	392																														
4700	472																														
5600	562																														
6800	682																														
8200	822																														
.010uF	103																														
.012	123																														
.015	153																														

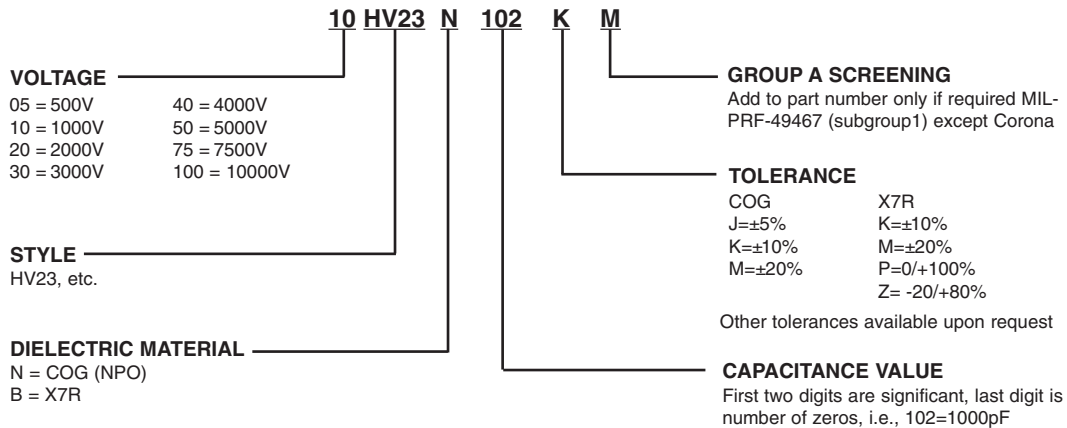
CAPACITOR OUTLINE DRAWING



DIMENSIONS

Style	Sizes in Inches (mm) max.			Lead Spacing ±0.030 (S)
	Length (L)	Height (H)	Thickness (T)	
HV20	.250 (6.35)	.220 (5.59)	.200 (5.08)	.170 (4.32)
HV21	.320 (8.13)	.280 (7.11)	.250 (6.35)	.220 (5.59)
HV22	.370 (9.40)	.300 (7.62)	.250 (6.35)	.275 (6.98)
HV23	.470 (11.94)	.400 (10.16)	.270 (6.89)	.375 (9.52)
HV24	.570 (14.48)	.500 (12.70)	.270 (6.89)	.475 (12.06)
HV25	.670 (17.02)	.600 (15.24)	.270 (6.89)	.575 (14.60)
HV26	.770 (19.56)	.720 (18.29)	.270 (6.89)	.675 (17.14)
HV30	.450 (11.43)	.220 (5.59)	.200 (5.08)	.300 (7.62)
HV31	.550 (13.97)	.280 (7.11)	.250 (6.35)	.400 (10.16)
HV33	.850 (21.59)	.400 (10.16)	.270 (6.89)	.700 (17.78)
HV34	1.050 (26.67)	.500 (12.70)	.270 (6.89)	.975 (24.76)
HV35	1.250 (31.75)	.600 (15.24)	.270 (6.89)	1.175 (29.84)
HV36	1.450 (36.83)	.720 (18.29)	.270 (6.89)	1.375 (34.92)

PART NUMBER AND ORDERING INFORMATION



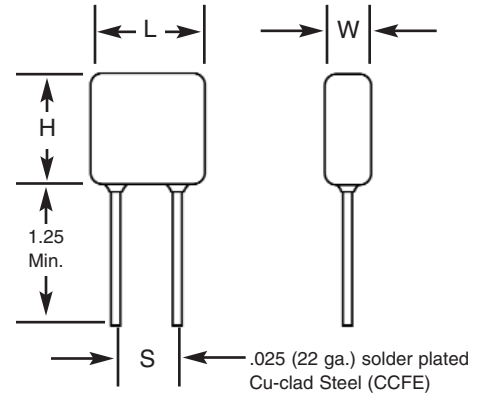
MARKING

(HV20, HV21)	(All Other Sizes)
103K	HV24A103K
1 kV	1 kV
KEC	KEC
Date Code	Date Code

FEATURES

1. Electrical characteristics and environmental information on these parts may be obtained by referring to MIL-PRF-49467.
2. All parts are conformal coated multilayer ceramic.
3. Designed to provide excellent long-term reliability.
4. Parts are Group A screened per MIL-PRF-49467 which includes 100% Corona testing and meet all other specification requirements.
5. Designed for surface, sea and airborne military and commercial high-reliability applications.
6. No IR degradation over life.
7. BR (X7R) V/TC is -40% at rated voltage and BZ (X7R) V/TC is -40% at 60% rated voltage.
8. BX characteristic (-25%) on BR parts is approximately 52% rated voltage.
9. 100% Non-destructive test by means of CSAM inspection available. SLAM available by special order.

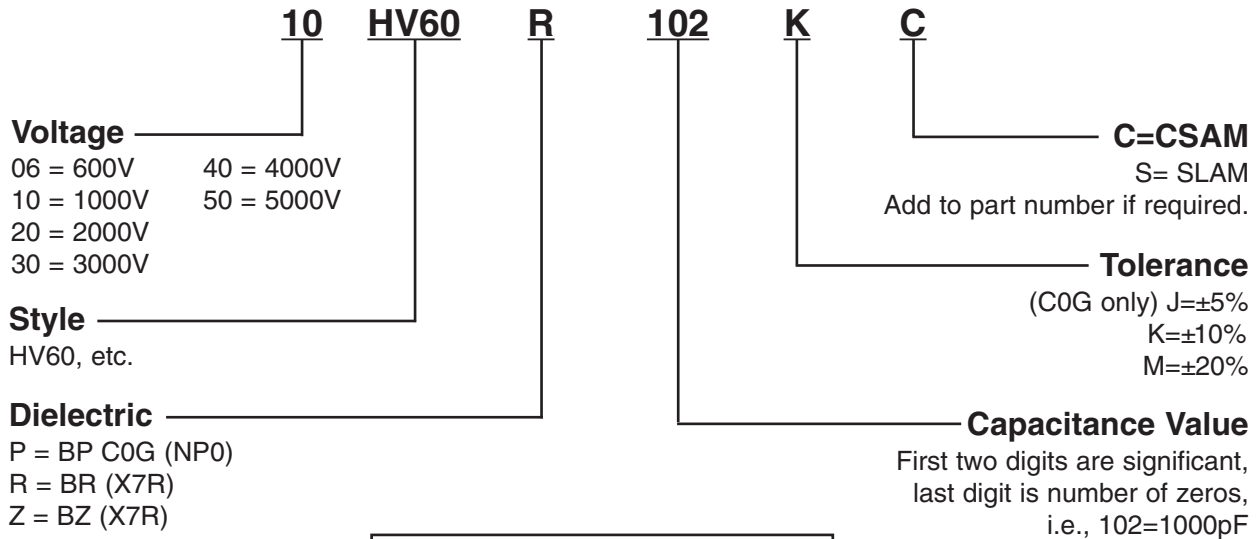
CAPACITOR OUTLINE DRAWING



DIMENSIONS

Style	Sizes in Inches (mm) max.			Lead Spacing ±0.030 (S)
	Length (L)	Height (H)	Thickness (W)	
HV60	.250 (6.35)	.220 (5.59)	.200 (5.08)	.170 (4.32)
HV61	.320 (8.13)	.280 (7.11)	.250 (6.35)	.220 (5.59)
HV62	.370 (9.40)	.300 (7.62)	.250 (6.35)	.275 (6.98)
HV63	.470 (11.94)	.400 (10.16)	.270 (6.86)	.375 (9.52)
HV64	.570 (14.48)	.500 (12.70)	.270 (6.86)	.475 (12.06)
HV65	.670 (17.02)	.600 (15.24)	.270 (6.86)	.575 (14.60)
HV66	.770 (19.56)	.720 (18.29)	.270 (6.86)	.675 (17.14)
HV68	1.300 (33.02)	.600 (15.24)	.270 (6.86)	1.175 (29.84)
HV69	1.500 (38.10)	.720 (18.29)	.270 (6.86)	1.375 (34.92)

PART NUMBER AND ORDERING INFORMATION



MARKING

(HV60, HV61)	(All Other Sizes)
102K	HV63R102K
1 kV	1 kV
KEC	KEC
Date Code	Date Code

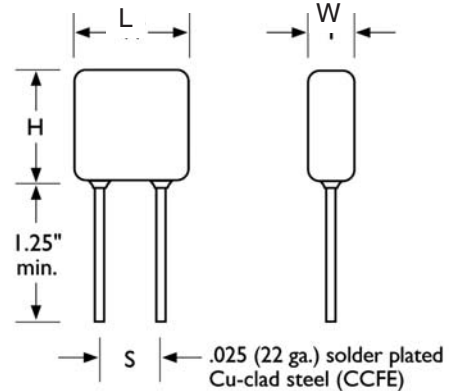
X7R DIELECTRIC

STYLE X7R	HV60			HV61			HV62			HV63			HV64			HV65			HV66			HV68			HV69											
	W max	L max	T max	S ± .030	Lead Dia. ±.004/-0.002	Cap Code	600	1k	2k	600	1k	2k	600	1k	2k	600	1k	2k	600	1k	2k	1k	2k	3k	1k	2k	3k	4k	5k	1k	2k	3k	4k	5k	3k	4k
Cap	270pF	271																																		
	330	331																																		
	390	391																																		
	470	471																																		
	560	561																																		
	680	681																																		
	820	821																																		
	1000	102																																		
	1200	122																																		
	1500	152																																		
	1800	182																																		
	2200	222																																		
	2700	272																																		
	3300	332																																		
	3900	392																																		
	4700	472																																		
	5600	562																																		
	6800	682																																		
	8200	822																																		
	.010uF	103																																		
	.012	123																																		
	.015	153																																		
	.018	183																																		
	.022	223																																		
	.027	273																																		
	.033	333																																		
	.039	393																																		
	.047	473																																		
	.056	563																																		
	.068	683																																		
	.082	823																																		
	.10	104																																		
	.12	124																																		
	.15	154																																		
	.18	184																																		
	.22	224																																		
	.27	274																																		
	.33	334																																		
	.39	394																																		
	.47	474																																		

FEATURES

1. Similar to NASA Spec. SSQ 21113 (1, 2 & 5kV).
2. Conforms to MIL-PRF-49467. (Group A Screening, Subgroup 1)
3. 100% Corona tested.
4. No IR degradation over life.
5. High density, low DF ceramic.
6. Conservative and proven design is recommended for non-repairable applications such as spacecraft.
7. CSAM inspections are available and is recommended for space applications. SLAM available by special order.
8. Burn-in in a non-contaminating inert fluid available.

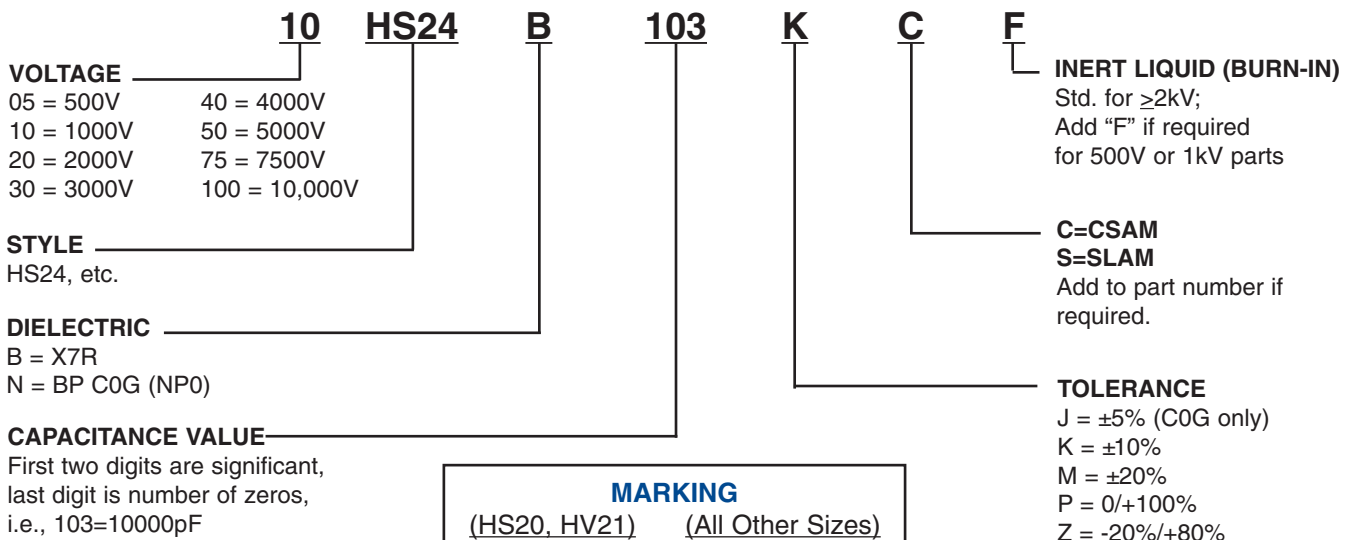
CAPACITOR OUTLINE DRAWING



DIMENSIONS

Style	Sizes in Inches (mm) max.			Lead Spacing ±0.030 (S)
	Length (L)	Height (H)	Thickness (W)	
HS20	.250 (6.35)	.220 (5.59)	.200 (5.08)	.170 (4.32)
HS21	.320 (8.13)	.280 (7.11)	.250 (6.35)	.220 (5.59)
HS22	.370 (9.40)	.300 (7.62)	.250 (6.35)	.275 (6.98)
HS30	.450 (11.43)	.220 (5.59)	.200 (5.08)	.300 (7.62)
HS23	.470 (11.94)	.400 (10.16)	.270 (6.89)	.375 (9.52)
HS31	.550 (13.97)	.280 (7.11)	.250 (6.35)	.400 (10.16)
HS24	.570 (14.48)	.500 (12.70)	.270 (6.89)	.475 (12.06)
HS25	.670 (17.02)	.600 (15.24)	.270 (6.89)	.575 (14.60)
HS26	.770 (19.56)	.720 (18.29)	.270 (6.89)	.675 (17.14)
HS33	.850 (21.59)	.400 (10.16)	.270 (6.89)	.700 (17.78)
HS34	1.050 (26.67)	.500 (12.70)	.270 (6.89)	.975 (24.76)
HS35	1.250 (31.75)	.600 (15.24)	.270 (6.89)	1.175 (29.84)
HS36	1.450 (36.83)	.720 (18.29)	.270 (6.89)	1.375 (34.92)

PART NUMBER AND ORDERING INFORMATION



MARKING	
(HS20, HV21)	(All Other Sizes)
103K	HS24B103K
1 kV	1 kV
KEC	KEC
Date Code	Date Code

COG DIELECTRIC

STYLE COG		HS20			HS21			HS22			HS23				HS24					HS25					HS26							
Cap	W max	.250 (6.35)			.320 (8.13)			.370(9.40)			.470 (11.94)				.570 (14.48)					.670 (17.02)					.770 (19.56)							
	L max	.220 (5.59)			.280 (7.11)			.300 (7.62)			.400 (10.16)				.500 (12.70)					.600 (15.24)					.720 (18.29)							
	T max	.200 (5.08)			.250 (6.35)			.250 (6.35)			.270 (6.86)				.270 (6.86)					.270 (6.86)					.270 (6.86)							
	S ± .030	.170 (4.32)			.220 (5.59)			.275 (6.98)			.375 (9.52)				.475 (12.06)					.575 (14.60)					.675 (17.14)							
	Lead Dia. +.004/-0.02	.025 (.635)			.025 (.635)			.025 (.635)			.025 (.635)				.025 (.635)					.025 (.635)					.025 (.635)							
Cap Code		WVDC			WVDC			WVDC			WVDC				WVDC					WVDC					WVDC							
pF		500	1k	2k	500	1k	2k	500	1k	2k	500	1k	2k	3k	500	1k	2k	3k	4k	5k	500	1k	2k	3k	4k	5k	500	1k	2k	3k	4k	5k
10pF	100																															
12	120																															
15	150																															
18	180																															
22	220																															
27	270																															
33	330																															
39	390																															
47	470																															
56	560																															
68	680																															
82	820																															
100	101																															
120	121																															
150	151																															
180	181																															
220	221																															
270	271																															
330	331																															
390	391																															
470	471																															
560	561																															
680	681																															
820	821																															
1000	102																															
1200	122																															
1500	152																															
1800	182																															
2200	222																															
2700	272																															
3300	332																															
3900	392																															
4700	472																															
5600	562																															
6800	682																															
8200	822																															
.010uF	103																															
.012	123																															
.015	153																															
.018	183																															
.022	223																															
.027	273																															
.033	333																															
.039	393																															
.047	473																															
.056	563																															
.068	683																															
.082	823																															
.10	104																															
.12	124																															
.15	154																															

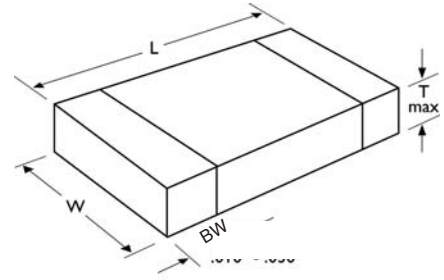
X7R DIELECTRIC

STYLE X7R		HS20			HS21			HS22			HS23				HS24					HS25					HS26						
Cap	W max	.250 (6.35)			.320 (8.13)			.370(9.40)			.470 (11.94)				.570 (14.48)					.670 (17.02)					.770 (19.56)						
	L max	.220 (5.59)			.280 (7.11)			.300 (7.62)			.400 (10.16)				.500 (12.70)					.600 (15.24)					.720 (18.29)						
	T max	.200 (5.08)			.250 (6.35)			.250 (6.35)			.270 (6.86)				.270 (6.86)					.270 (6.86)					.270 (6.86)						
	S ±.030	.170 (4.32)			.220 (5.59)			.275 (6.98)			.375 (9.52)				.475 (12.06)					.575 (14.60)					.675 (17.14)						
	Lead Dia, ±.004/-.002	.025 (.635)			.025 (.635)			.025 (.635)			.025 (.635)				.025 (.635)					.025 (.635)					.025 (.635)						
	Cap Code	WVDC			WVDC			WVDC			WVDC				WVDC					WVDC					WVDC						
	pF	500	1k	2k	500	1k	2k	500	1k	2k	500	1k	2k	3k	500	1k	2k	3k	4k	500	1k	2k	3k	4k	5k	500	1k	2k	3k	4k	5k
270pF	271																														
330	331																														
390	391																														
470	471																														
560	561																														
680	681																														
820	821																														
1000	102																														
1200	122																														
1500	152																														
1800	182																														
2200	222																														
2700	272																														
3300	332																														
3900	392																														
4700	472																														
5600	562																														
6800	682																														
8200	822																														
.010uF	103																														
.012	123																														
.015	153																														
.018	183																														
.022	223																														
.027	273																														
.033	333																														
.039	393																														
.047	473																														
.056	563																														
.068	683																														
.082	823																														
.10	104																														
.12	124																														
.15	154																														
.18	184																														
.22	224																														
.27	274																														
.33	334																														
.39	394																														
.47	474																														
.56	564																														
.68	684																														
.82	824																														
1.0	105																														

FEATURES

1. The ceramic chip capacitors described in this section are the types used in our other high voltage ceramic multilayer product lines.
2. Types BP, BR and BZ available as described in MIL-PRF-49467.
3. Group A and B screening per MIL-PRF-49467 available.
4. Ceramic chip capacitors are extremely sensitive to thermal shock damage during installation. Wherever possible, processes involving infrared or vapor phase soldering systems should be utilized.
5. Higher voltages available upon request
6. Where nickel barrier termination is required, end band length dimensions may exceed the standard dimension listed.

CERAMIC CHIP OUTLINE DRAWING

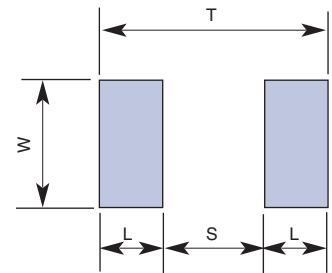


DIMENSIONS

Style	Length (L) Inches (mm)	Width (W) Inches (mm)	Thickness (T) max Inches (mm)	Bandwidth (BW) Inches
1515	.150 ±.015 (3.81 ±.38)	.150 ±.015 (3.81 ±.38)	.140 (3.55)	.010 - .030"
1812	.180 ±.020 (4.57 ±.51)	.120 ±.015 (3.05 ±.38)	.100 (2.54)	.010 - .040"
1825	.180 ±.020 (4.57 ±.51)	.250 ±.020 (6.35 ±.51)	.160 (4.07)	.010 - .040"
2020	.200 ±.020 (5.08 ±.51)	.200 ±.020 (5.08 ±.51)	.180 (3.55)	.010 - .040"
2225	.220 ±.020 (5.59 ±.51)	.250 ±.020 (6.35 ±.51)	.200 (5.08)	.010 - .040"
2520	.250 ±.020 (6.35 ±.51)	.200 ±.020 (5.08 ±.51)	.180 (4.57)	.030 - .060"
3333	.330 ±.030 (8.38 ±.76)	.330 ±.030 (8.38 ±.76)	.220 (5.59)	.030 - .060"
3530	.350 ±.030 (8.89 ±.76)	.300 ±.030 (7.62 ±.76)	.220 (5.59)	.030 - .060"
4040	.400 ±.030 (10.2 ±.76)	.400 ±.030 (10.2 ±.76)	.220 (5.59)	.030 - .060"
4540	.450 ±.030 (11.43 ±.76)	.400 ±.030 (10.2 ±.76)	.220 (5.59)	.030 - .060"
5440	.540 ±.030 (13.7 ±.76)	.400 ±.030 (10.2 ±.76)	.220 (5.59)	.030 - .060"
5550	.550 ±.030 (14.0 ±.76)	.500 ±.030 (12.7 ±.76)	.220 (5.59)	.030 - .060"
6560	.650 ±.030 (16.5 ±.76)	.600 ±.030 (15.2 ±.76)	.220 (5.59)	.030 - .060"

RECOMMENDED SOLDER PAD PATTERN DIMENSIONS

Chip Size	T (Total Length)		S (Separation)		W (Pad Width)		L (Pad Length)	
	mm	in.	mm	in.	mm	in.	mm	in.
1515	5.20	0.205	1.90	0.075	4.34	0.171	1.65	0.065
1812	5.90	0.232	2.30	0.091	3.70	0.146	1.80	0.071
1825	5.90	0.232	2.30	0.091	6.90	0.272	1.80	0.071
2020	6.50	0.256	2.80	0.110	5.62	0.221	1.85	0.073
2225	7.00	0.276	3.30	0.130	6.80	0.268	1.85	0.073
2520	8.68	0.342	4.98	0.196	5.62	0.221	1.85	0.073
3333	10.91	0.430	7.11	0.280	9.27	0.365	1.90	0.075
3530	11.51	0.453	7.61	0.300	8.51	0.335	1.95	0.077
4040	12.88	0.507	8.88	0.350	11.05	0.435	2.00	0.079
4540	14.21	0.559	10.15	0.400	11.05	0.435	2.03	0.080
5440	16.51	0.650	10.41	0.410	11.05	0.435	3.05	0.120
5550	18.92	0.745	12.82	0.505	13.59	0.535	3.05	0.120
6560	19.80	0.780	13.20	0.520	16.13	0.635	3.30	0.130



PART NUMBER AND ORDERING INFORMATION

4540 B 472 M 202 P M

Style
1515, 2020, etc.

Dielectric
B or R = X7R
N = C0G (NP0)

Capacitance Value
First two digits are significant,
last digit is number of zeros,
i.e., 472=4700pF

Tolerance
J = ±5% COG (NP0)
K = ±10%
M = ±20%
P = 0/+100%
Z = -20%/+80%

Group A Screening*
Add to part number if required
*MIL-PRF-49467
(subgroup 1)
except Corona

Terminal Material
P = PdAg
S = Ag
E = Ag/Ni/Sn/Pb Plate
C = Ag/Ni/Sn Plate

Voltage
First two digits are significant,
last digit is number of zeros,
i.e., 202=2000V

MARKING
Not applicable
As required by customer only.

COG DIELECTRIC

STYLE COG		4040					4540					5440					5550					6560						
		L					L					L					L					L						
	W	.400 ±.030(10,20±.76)					.450 ±.030(11,43±.76)					.540 ±.030(13,70±.76)					.550 ±.030(14,00±.76)					.650 ±.030(16,50±.76)						
	T max	.220 (5,59)					.220 (5,59)					.220 (5,59)					.220 (5,59)					.220 (5,59)						
	Band Width	.030 - .060"					.030 - .060"					.030 - .060"					.030 - .060"					.030 - .060"						
Cap	Cap Code pF	WVDC					WVDC					WVDC					WVDC					WVDC						
		500	1k	2k	3k	4k	500	1k	2k	3k	4k	5k	500	1k	2k	3k	4k	500	1k	2k	3k	4k	5k	500	1k	2k	3k	4k
10pF	100																											
12	120																											
15	150																											
18	180																											
22	220																											
27	270																											
33	330																											
39	390																											
47	470																											
56	560																											
68	680																											
82	820																											
100	101																											
120	121																											
150	151																											
180	181																											
220	221																											
270	271																											
330	331																											
390	391																											
470	471																											
560	561																											
680	681																											
820	821																											
1000	102																											
1200	122																											
1500	152																											
1800	182																											
2200	222																											
2700	272																											
3300	332																											
3900	392																											
4700	472																											
5600	562																											
6800	682																											
8200	822																											
.010uF	103																											
.012	123																											
.015	153																											
.018	183																											
.022	223																											
.027	273																											
.033	333																											
.039	393																											
.047	473																											
.056	563																											
.068	683																											
.082	823																											
.10	104																											

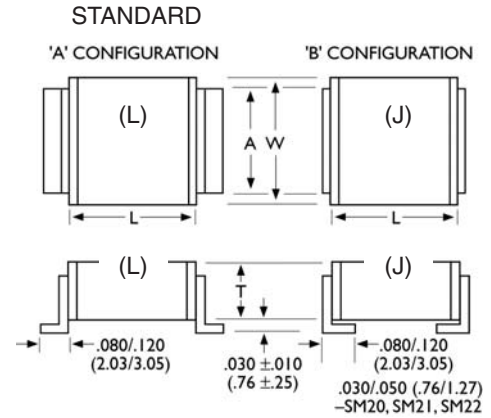
X7R DIELECTRIC

STYLE X7R		4040					4540					5440					5550					6560							
Cap	L	.400 ±.030(10,20±.76)					.450 ±.030(11,43±.76)					.540 ±.030(13,70±.76)					.550 ±.030(14,00±.76)					.650 ±.030(16,50±.76)							
	W	.400 ±.030(10,20±.76)					.400 ±.030(10,20±.76)					.400 ±.030(10,20±.76)					.500 ±.030(10,20±.76)					.600 ±.030(15,20±.76)							
	T max	.220 (5,59)					.220 (5,59)					.220 (5,59)					.220 (5,59)					.220 (5,59)							
	Band Width	.030 - .060*					.030 - .060*					.030 - .060*					.030 - .060*					.030 - .060*							
Cap Code	WVDC					WVDC					WVDC					WVDC					WVDC								
pF		500	1k	2k	3k	4k	500	1k	2k	3k	4k	5k	500	1k	2k	3k	4k	500	1k	2k	3k	4k	5k	500	1k	2k	3k	4k	5k
220pF	221																												
270	271																												
330	331																												
390	391																												
470	471																												
560	561																												
680	681																												
820	821																												
1000	102																												
1200	122																												
1500	152																												
1800	182																												
2200	222																												
2700	272																												
3300	332																												
3900	392																												
4700	472																												
5600	562																												
6800	682																												
8200	822																												
.010uF	103																												
.012	123																												
.015	153																												
.018	183																												
.022	223																												
.027	273																												
.033	333																												
.039	393																												
.047	473																												
.056	563																												
.068	683																												
.082	823																												
.10	104																												
.12	124																												
.15	154																												
.18	184																												
.22	224																												
.27	274																												
.33	334																												
.39	394																												
.47	474																												
.56	564																												
.68	684																												
.82	824																												
1.0	105																												
1.2	125																												
1.5	155																												
1.8	185																												
2.2	225																												

FEATURES

1. Silver plated copper alloy terminal for easy soldering.
2. Mounting tabs are designed to minimize the effect of thermal stress introduced by the differences in coefficient of thermal expansion between the capacitor and the mounting surface.
3. Low ESR.
4. High current discharge capability.
5. Group A and B screening per MIL-PRF-49467 available .
6. Standard lead configuration is 'B'.(J) If lead configuration is left out of part number the lead style is assumed to be 'B'.

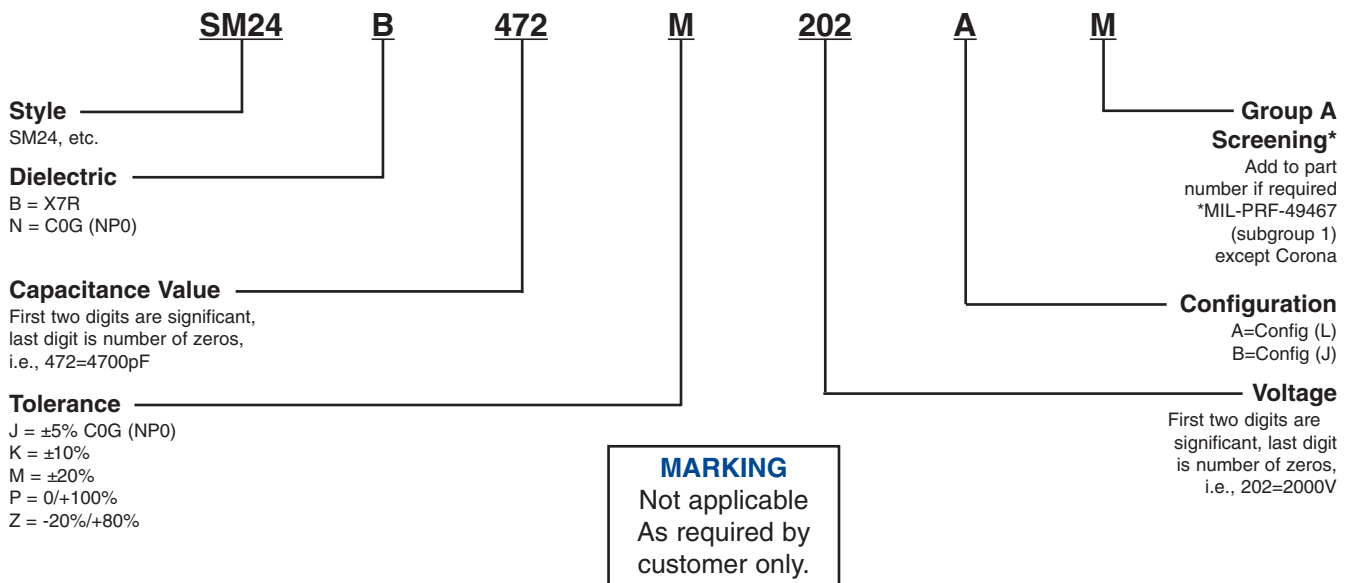
CAPACITOR OUTLINE DRAWING



DIMENSIONS

Style	Length (L) Inches (mm)	Width (W) Inches (mm)	Thickness (T) max Inches (mm)	Tab (A) max Inches (mm)
SM20	.150 \pm .015 (3.81 \pm .38)	.150 \pm .015 (3.81 \pm .38)	.130 (3.30)	.100 (2.54)
SM21	.200 \pm .020 (5.08 \pm .51)	.200 \pm .020 (5.08 \pm .51)	.180 (4.57)	.100 (2.54)
SM22	.250 \pm .020 (6.35 \pm .51)	.200 \pm .020 (5.08 \pm .51)	.180 (4.57)	.100 (2.54)
SM23	.350 \pm .030 (8.89 \pm .76)	.300 \pm .030 (7.62 \pm .76)	.220 (5.59)	.200 (5.08)
SM24	.450 \pm .030 (11.43 \pm .76)	.400 \pm .030 (10.20 \pm .76)	.220 (5.59)	.300 (7.62)
SM25	.550 \pm .030 (14.00 \pm .76)	.500 \pm .030 (12.70 \pm .76)	.220 (5.59)	.400 (10.2)
SM26	.650 \pm .030 (16.50 \pm .76)	.600 \pm .030 (15.20 \pm .76)	.220 (5.59)	.500 (12.7)
SM30	.300 \pm .030 (7.62 \pm .76)	.150 \pm .015 (3.81 \pm .38)	.140 (3.55)	.100 (2.54)
SM31	.400 \pm .030 (10.20 \pm .76)	.200 \pm .020 (5.08 \pm .51)	.130 (3.30)	.100 (2.54)
SM33	.700 \pm .030 (17.08 \pm .76)	.300 \pm .030 (7.62 \pm .76)	.180 (4.57)	.200 (5.08)
SM34	.900 \pm .030 (22.90 \pm .76)	.400 \pm .030 (10.20 \pm .76)	.220 (5.59)	.300 (7.62)
SM35	1.100 \pm .030 (27.90 \pm .76)	.500 \pm .030 (12.70 \pm .76)	.220 (5.59)	.400 (10.2)
SM36	1.350 \pm .030 (33.00 \pm .76)	.600 \pm .030 (15.20 \pm .76)	.220 (5.59)	.500 (12.7)

PART NUMBER AND ORDERING INFORMATION



X7R DIELECTRIC

STYLE X7R	SM20	SM21	SM22	SM23	SM24	SM25	SM26
L	.150±.015 (3.81±.38)	.200±.020(5.08 ±.51)	.250 ±.020 (6.35 ±.51)	.350 ±.030 (8.89 ±.76)	.450 ±.030 (11.43 ±.76)	.550 ±.030 (14.00 ±.76)	.650 ±.030 (16.50 ±.76)
W	.150±.015 (3.81±.38)	.200±.020(5.08 ±.51)	.200 ±.020(5.08 ±.51)	.300 ±.030 (7.62 ±.76)	.400 ±.030 (10.20 ±.76)	.500 ±.030 (12.70 ±.76)	.600 ±.030 (15.20 ±.76)
T max	.130 (3.30)	.180 (4.57)	.180 (4.57)	.220 (5.59)	.220 (5.59)	.220 (5.59)	.220 (5.59)
Tab A max	.100 (2.54)	.100 (2.54)	.100 (2.54)	.200 (5.08)	.300 (7.62)	.400 (10.20)	.500 (12.70)
Cap Code	WVDC	WVDC	WVDC	WVDC	WVDC	WVDC	WVDC
Cap	pF	500 1k 2k	500 1k 2k 3k	500 1k 2k 3k	500 1k 2k 3k 4k	500 1k 2k 3k 4k 5k	500 1k 2k 3k 4k 5k
270pF	271						
330	331						
390	391						
470	471						
560	561						
680	681						
820	821						
1000	102						
1200	122						
1500	152						
1800	182						
2200	222						
2700	272						
3300	332						
3900	392						
4700	472						
5600	562						
6800	682						
8200	822						
.010uF	103						
.012	123						
.015	153						
.018	183						
.022	223						
.027	273						
.033	333						
.039	393						
.047	473						
.056	563						
.068	683						
.082	823						
.10	104						
.12	124						
.15	154						
.18	184						
.22	224						
.27	274						
.33	334						
.39	394						
.47	474						
.56	564						
.68	684						
.82	824						
1.0	105						
1.2	125						
1.5	155						
1.8	185						
2.2	225						
2.7	275						

