

MATERIALS AND FINISHES:

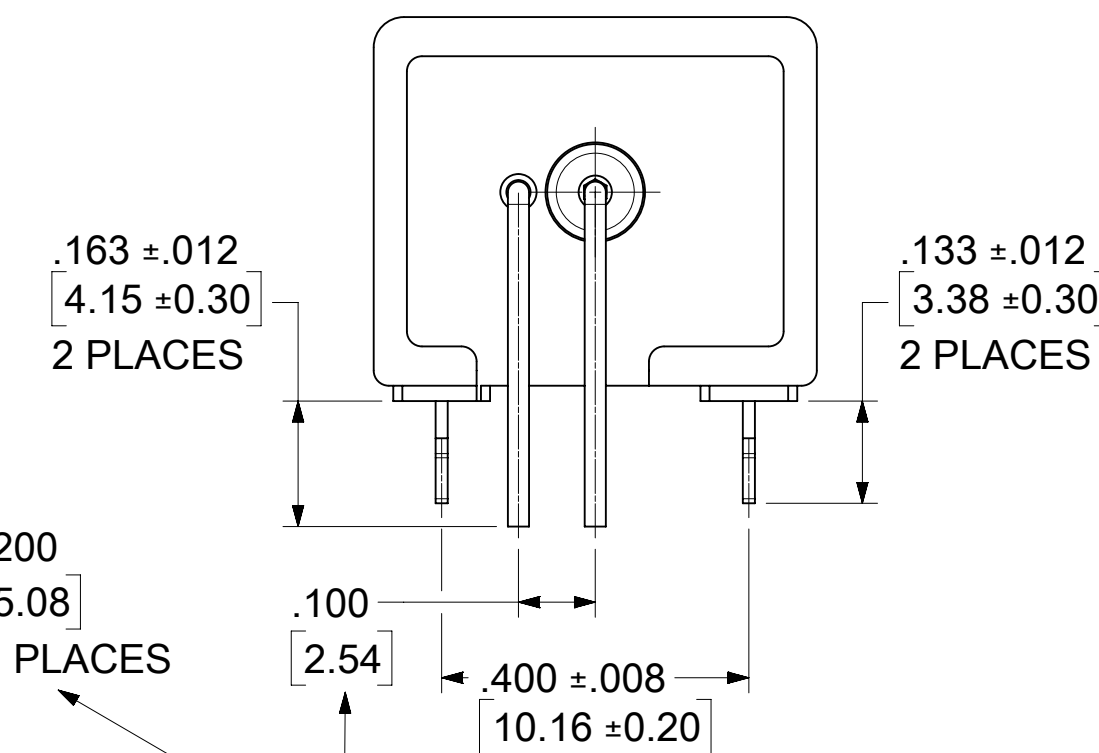
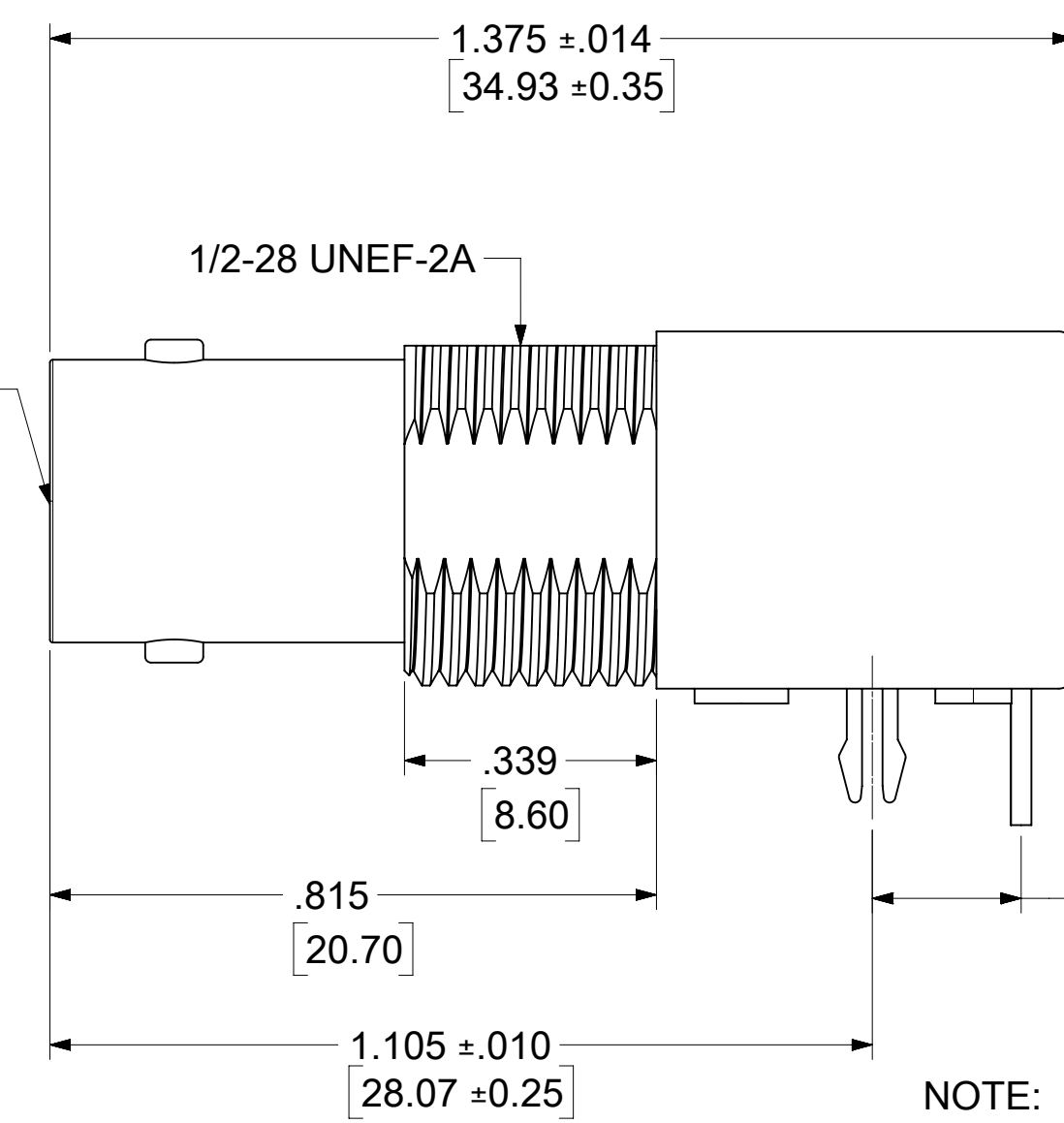
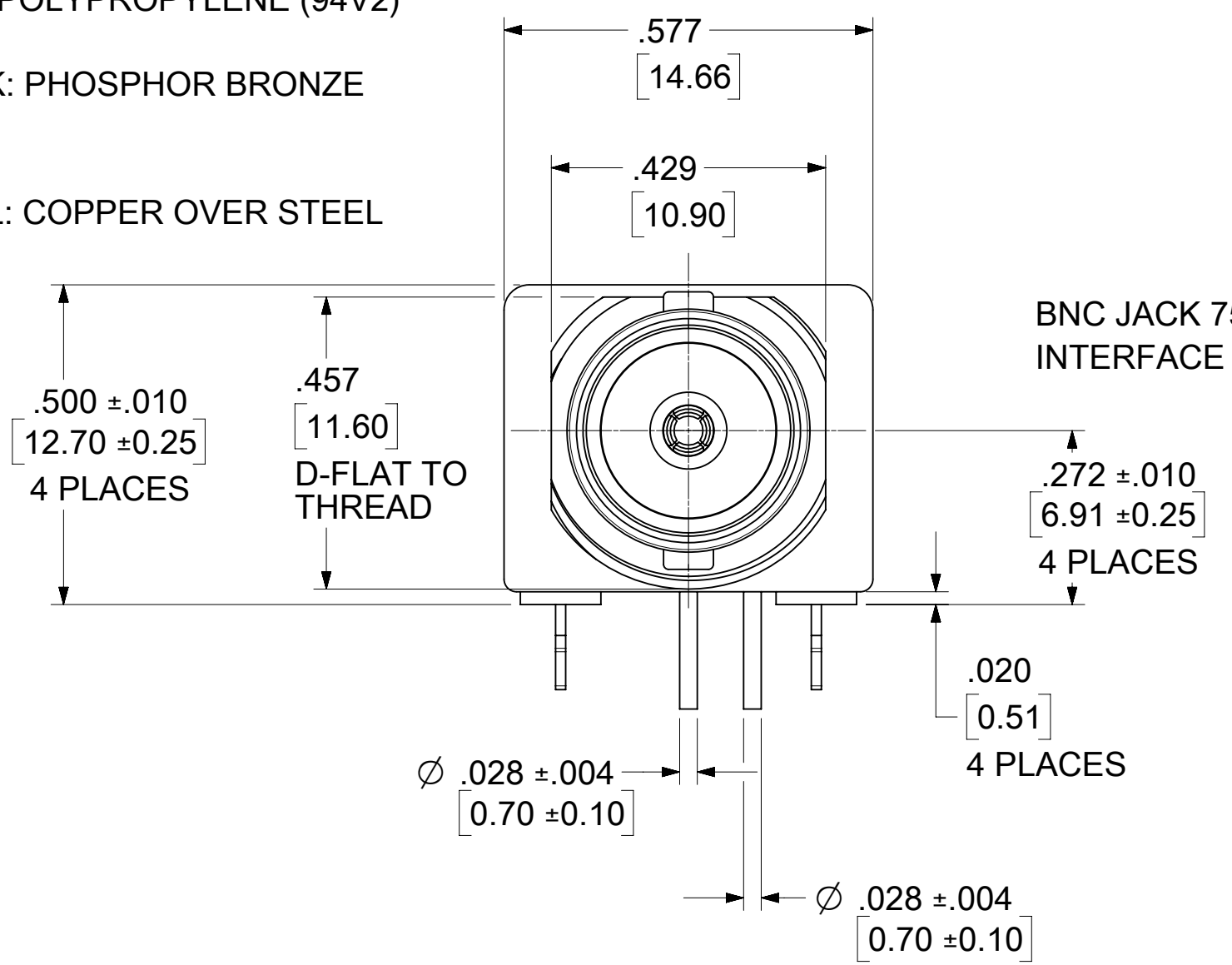
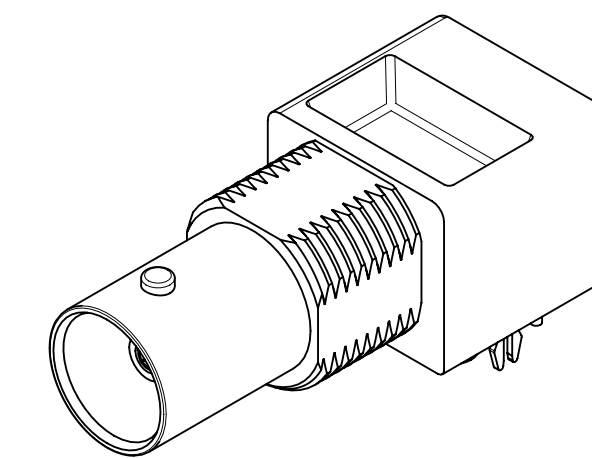
BODY: ZINC ALLOY
PLATED NICKEL

CENTER CONTACT: PHOSPHOR BRONZE
PLATED GOLD

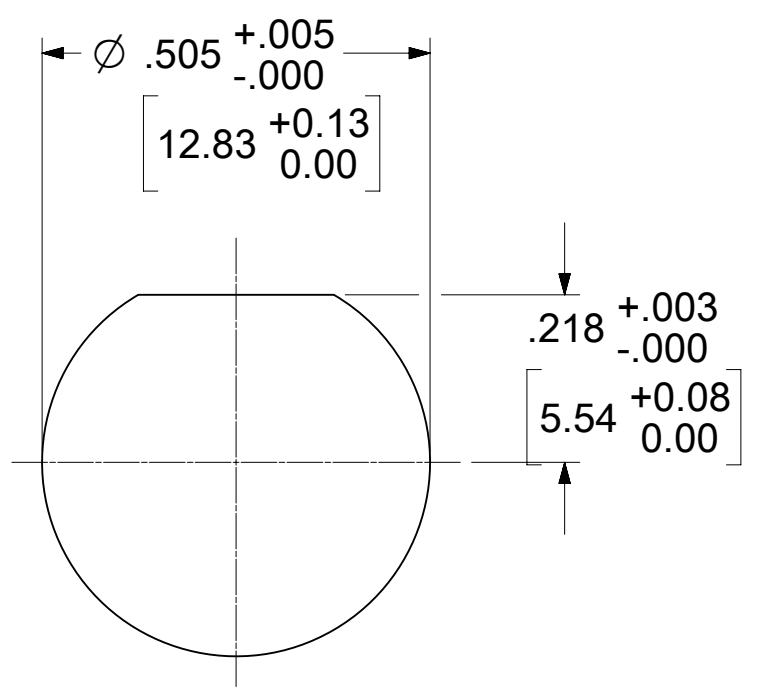
INSULATOR: POLYPROPYLENE (94V2)

BOARD LOCK: PHOSPHOR BRONZE
PLATED TIN

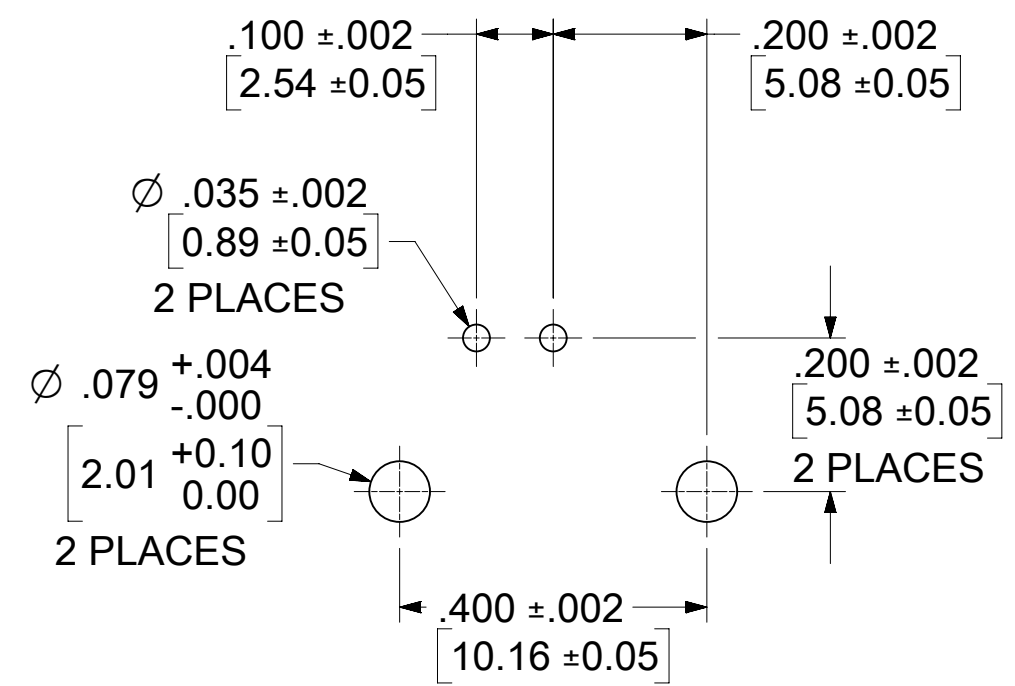
SOLDER TAIL: COPPER OVER STEEL
PLATED TIN



NOTE:
LEADS MAY NEED TO BE
ADJUSTED TO FIT PCB



RECOMMENDED MOUNTING HOLE
PANEL THICKNESS: .216 (5.40) MAX
TORQUE: 1.36 N-m (12 INCH-LBS) MAX



RECOMMENDED PCB LAYOUT

| 73171-4330 | 73101-0120 ONE PER BAG | 895420089 |
|------------|------------------------|--------------|
| 73101-0120 | 73101-0120 TRAY | 895420550 |
| PART NO. | DESCRIPTION | PACKING SPEC |

LABEL WITH EACH BAG
FOR 73171-4330

PART NUMBER: 73101-0120
ORDER NUMBER: 73171-4330
MOLEX
DATE: YYWW

| PS-89675-1030 | PRODUCTION SPECIFICATION |
|---------------|--------------------------|
| SPECIFICATION | DESCRIPTION |

| DOCUMENT STATUS | P1 | RELEASE DATE | 2023/02/06 09:29:37 |
|-----------------|----|--------------|---------------------|
|-----------------|----|--------------|---------------------|

THIS DRAWING CONTAINS INFORMATION THAT IS PROPRIETARY TO MOLEX ELECTRONIC TECHNOLOGIES, LLC AND SHOULD NOT BE USED WITHOUT WRITTEN PERMISSION

| | | | | | |
|--|-------|---|---|----------------|--------------|
| DIMENSION UNITS | SCALE | CURRENT REV DESC: ADD GENERAL TOLERANCE AND PACKING SPEC PER EWR #15651-A | | | |
| INCH/MM | NTS | | | | |
| GENERAL TOLERANCES (UNLESS SPECIFIED) | | | EC NO: 737090 DRWN: RYEH 2020/03/24 CHK'D: YCHENG 2023/02/06 APPR: YCHENG 2023/02/06 | | |
| 4 PLACES | ± | ± | | | |
| 3 PLACES | ± | ± 0.006 | | | |
| 2 PLACES | ± | ± 0.012 | | | |
| 1 PLACE | ± | ± 0.3 | | | |
| 0 PLACES | ± | ± | | | |
| ANGULAR TOL | ± | ± 2.0 ° | INITIAL REVISION: DRWN: RFC_PLMIMP 2017/11/06 APPR: JWIENER 2007/04/19 | | |
| DRAFT WHERE APPLICABLE MUST REMAIN WITHIN DIMENSIONS | | | THIRD ANGLE PROJECTION | DRAWING | SERIES |
| | | | | C-SIZE | 73101 |
| | | | MATERIAL NUMBER | CUSTOMER | SHEET NUMBER |
| | | | SEE TABLE | GENERAL MARKET | 1 OF 1 |

BNC JACK R/A PCB TH 75 OHMS
DIE CAST EWR-2677

PRODUCT CUSTOMER DRAWING

| | | | |
|-----------------|----------|----------|----------|
| DOCUMENT NUMBER | DOC TYPE | DOC PART | REVISION |
| SD-73101-0120 | PSD | 001 | B5 |