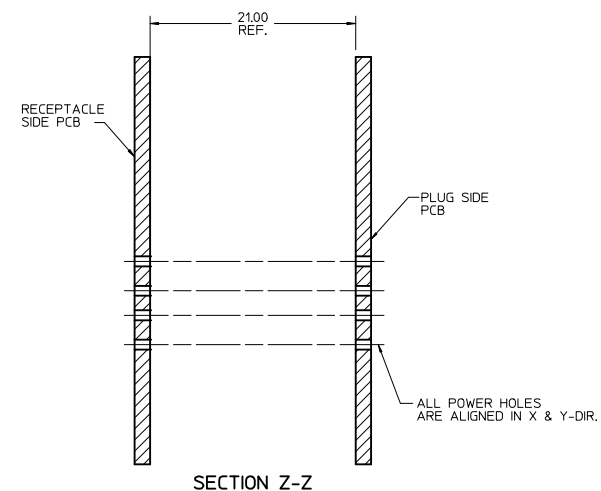
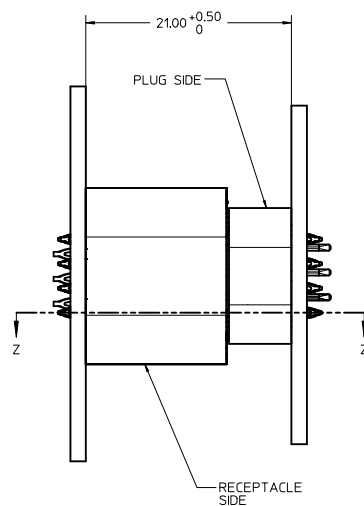
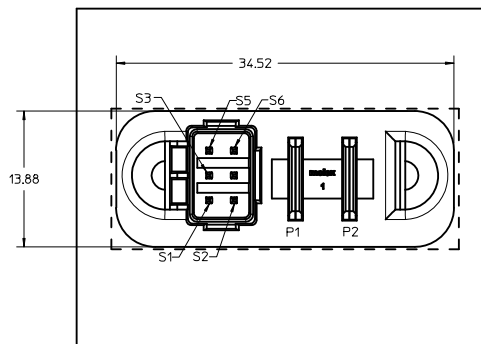


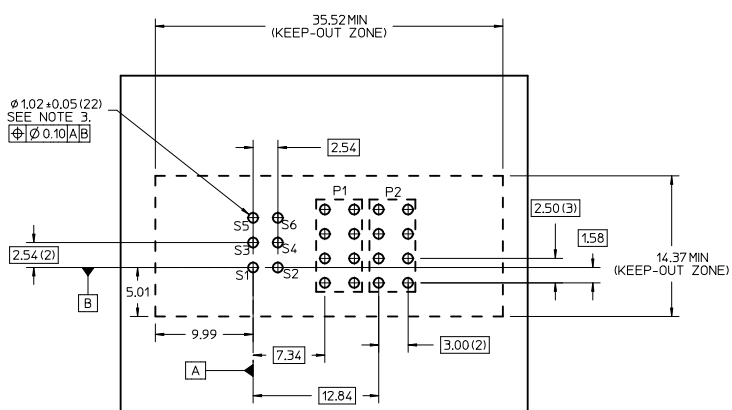
MOLEX P/N: 76546-1093



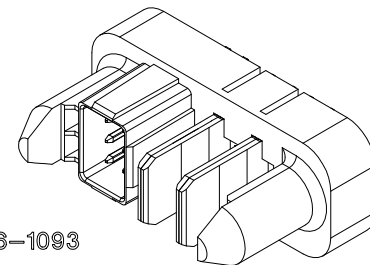
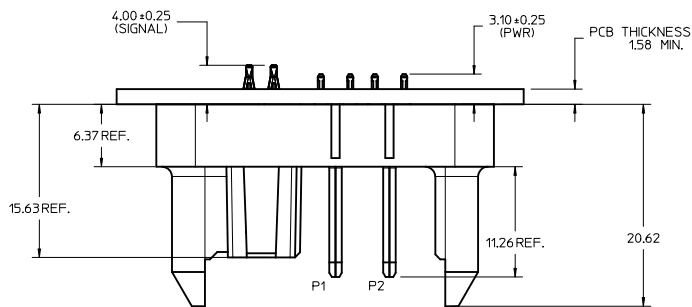
SECTION Z-Z

NOTES:

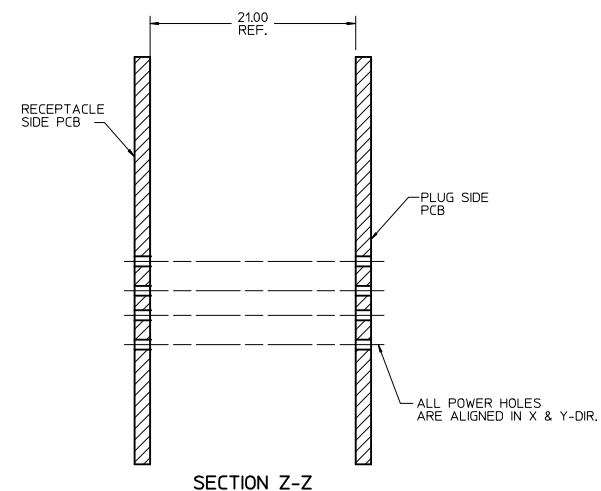
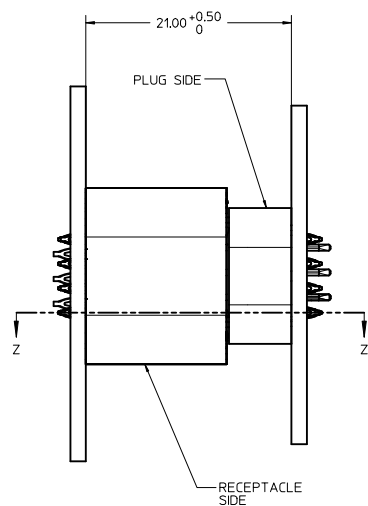
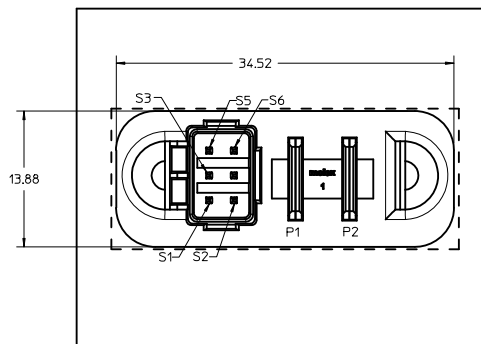
- MATERIAL:
 - HOUSINGS: PBT 30% GF, V-0, COLOR: BLACK,
 - TERMINALS: COPPER ALLOY,
 - PLATING: 0.00127mm NICKEL OVERALL WITH 0.00254mm SELECTIVE MATTE TIN ON TAILS, AND 0.000762mm SELECTIVE GOLD ON CONTACT AREA.
- ASSEMBLIES TO BE TRAY PACKED; STD QUANTITY: TBD.
- PC BOARD REQUIRES PLATED THRU HOLES. REFER TO PS-46436-100 FOR DETAILS.
- PRODUCT SPEC: PS-46436-100.
- APPLICATION SPEC: AS-46436-100.
- SEE PRODUCT SPEC FOR ROHS REQUIREMENTS.
- ASSEMBLY MATES WITH MOLEX RECEPTACLE ASSEMBLY, P/N 46562-1093.



REVISE NOTES IEC NO. UCP2012-0378 DRAWN BY CHKD: APPR: APATEL 2011/08/09 2012/06/14	QUALITY SYMBOLS	GENERAL TOLERANCES (UNLESS SPECIFIED)	DIMENSION STYLE MM ONLY	SCALE 4:1	DESIGN UNITS METRIC	THIRD ANGLE PROJECTION
	4 PLACES ± --- ± --- 3 PLACES ± --- ± --- 2 PLACES ± 0.25 ± --- 1 PLACE ± 0.25 ± --- ANGULAR ± 1/2°	mm INCH BKOSTIC 2010/10/21 CHECKED BY DATE BKOSTIC 2010/10/21 APPROVED BY DATE APATEL 2011/01/10	DRAWN BY DATE BKOSTIC 2010/10/21 CHECKED BY DATE BKOSTIC 2010/10/21 APPROVED BY DATE APATEL 2011/01/10	MATERIAL NO. 76546-1093	SCALE 4:1	DESIGN UNITS METRIC
DRAFT WHERE APPLICABLE MUST REMAIN WITHIN DIMENSIONS	SIZE D	THIS DRAWING CONTAINS INFORMATION THAT IS PROPRIETARY TO MOLEX INCORPORATED AND SHOULD NOT BE USED WITHOUT WRITTEN PERMISSION	MOLEX INCORPORATED	DOCUMENT NO. SD-76546-1093	SHEET NO. 1 OF 1	



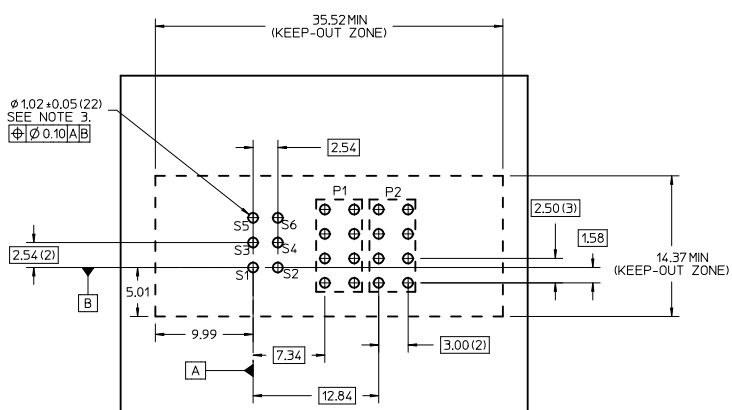
MOLEX P/N: 76546-1093



SECTION Z-Z

NOTES:

- MATERIAL:
 - HOUSINGS: PBT 30% GF, V-0, COLOR: BLACK.
 - TERMINALS: COPPER ALLOY.
 - PLATING: 0.00127mm NICKEL OVERALL WITH 0.00254mm SELECTIVE MATTE TIN ON TAILS. AND 0.000762mm SELECTIVE GOLD ON CONTACT AREA.
- ASSEMBLIES TO BE TRAY PACKED; STD QUANTITY: TBD.
- PC BOARD REQUIRES PLATED THRU HOLES. REFER TO PS-46436-100 FOR DETAILS.
- PRODUCT SPEC: PS-46436-100.
- APPLICATION SPEC: AS-46436-100.
- SEE PRODUCT SPEC FOR ROHS REQUIREMENTS.
- ASSEMBLY MATES WITH MOLEX RECEPTACLE ASSEMBLY, P/N 46562-1093.



REVISE NOTES IEC NO. UCP2012-0378 DRAWN BY A2 CHKD: APPR: APATEL 2011/08/09 2012/06/14	QUALITY SYMBOLS	GENERAL TOLERANCES (UNLESS SPECIFIED)	DIMENSION STYLE MM ONLY	SCALE 4:1	DESIGN UNITS METRIC	THIRD ANGLE PROJECTION
	4 PLACES ± --- ± --- 3 PLACES ± --- ± --- 2 PLACES ± 0.25 ± --- 1 PLACE ± 0.25 ± --- ANGULAR ± 1/2°	mm INCH BKOSTIC 2010/10/21 CHECKED BY DATE BKOSTIC 2010/10/21 APPROVED BY DATE APATEL 2011/01/10	DRAWN BY DATE BKOSTIC 2010/10/21 TITLE VERTICAL PLUG ASSY 6S-2P, PRESS-FIT TEN60 POWER FAMILY	MATERIAL NO. 76546-1093	DOCUMENT NO. SD-76546-1093	MOLEX INCORPORATED
DRAFT WHERE APPLICABLE MUST REMAIN WITHIN DIMENSIONS		THIS DRAWING CONTAINS INFORMATION THAT IS PROPRIETARY TO MOLEX INCORPORATED AND SHOULD NOT BE USED WITHOUT WRITTEN PERMISSION				