

Han pneumatic module for 2 contact, male

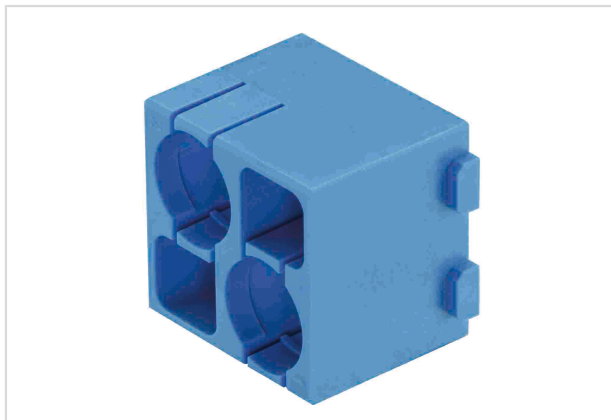


Image is for illustration purposes only. Please refer to product description.

Part number	09 14 002 3501
Specification	Han pneumatic module for 2 contact, male
HARTING eCatalogue	https://b2b.harting.com/09140023501

Identification

Category	Modules
Series	Han-Modular®
Type of module	Han® Pneumatic module

Version

Gender	Male
Number of contacts	2
Details	Please order contacts separately.

Technical characteristics

Limiting temperature	-40 ... +85 °C
Mating cycles	≥10,000

Material properties

Material (insert)	Polycarbonate (PC)
Colour (insert)	Blue
Material flammability class acc. to UL 94	V-0

Specifications and approvals

Specifications	IEC 61984 EN 60664-1
----------------	-------------------------



Pushing Performance

Commercial data

Packaging size	2
Net weight	0.1 g
Country of origin	China
European customs tariff number	85389099
eCl@ss	27440220 Module for industrial connectors (pneumatic)