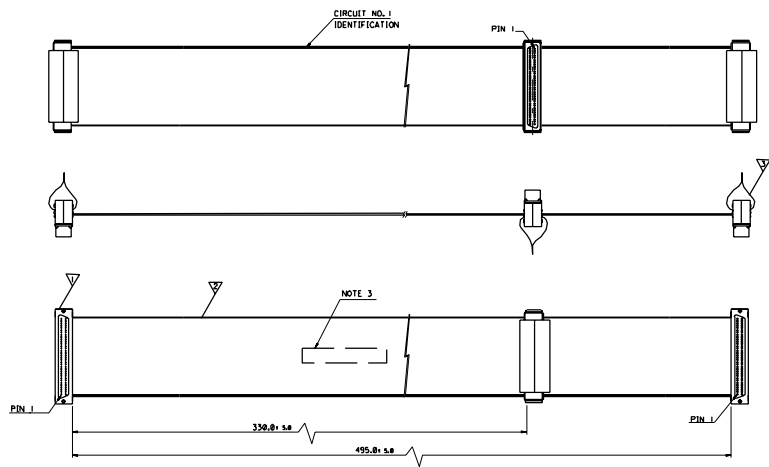


92303-0012
SDA-92303-0012



ITEM	COMPONENT	SUPPLIER	DESCRIPTION	QUANTITY	NOTE
▽	78498-5068	MOLEX	SCSI 68 CCT CONNECTOR WITH STRAIN RELIEF	3	1,4
▽	99826-0137	MOLEX	68 CCT RIBBON CABLE 30 AWG (TEMP FLEX F30015-68-025-05)	515mm	2,3,4,5
▽			PULL TAB 34	1	1

- NOTES:**
- SEE PRODUCT SPECIFICATION PSX79056
 - SEE CABLE SPECIFICATION ES-99027-0023
 - PRINT DELL PART NO. AND REVISION "8228-400" APPROX. WHERE SHOWN. TEXT HEIGHT 3.2MM.
 - HARNESSES TO BE 100% ELECTRICALLY TESTED
 - FOR HIGH MOLEX PARTS, FOLLOW THE SUPPLIER'S INSTRUCTIONS
 - ATTACH LABEL TO EVERY BOX

CHANGE IN P/N
2000-0137
99/09/13
DMCH

1 : 1 *
AMC 97/02/25
BENRIGHT 99/09/13
JHORGAN 99/09/13

68CCCT
RIBBON CABLE

1/2

92303-0012 SDA-92303-0012 1 OF 1

SMT. 1 OF 1		MRI- SDA-92303-0012			
MODIFICATION RECORD INDEX					
ECN	SS.	DATE	INIT.	SPTS. AFFECTED	DESCRIPTION OF MOD.
E10525	A	97.02.25	AMC	1	ORIGINAL RELEASE
E2000-007	A1	99.09.13	DMCH	1	CHANGE IN P/N
			MOLEX EUROPE		
					REVISE ONLY ON CAD SYSTEM
<small>DELiberate CHANGES ARE NOTED BY THE REVISION NO. ONLY IN CASE WHERE NOT BY OURS SHOULD APPEAR OTHERWISE.</small>					<small>DESIGN TEAM</small> <small>DATE</small>