

NOTES:

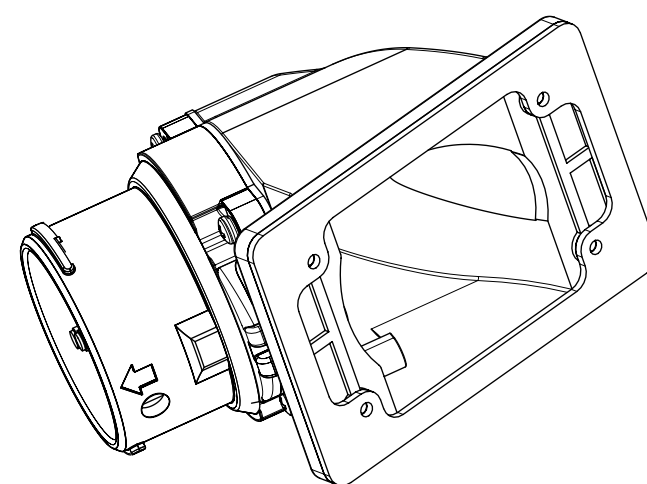
MATERIALS:

ANGLE, HOUSINGS AND INSULATORS: GLASS FILLED PBT
 CONTACTS: COPPER ALLOY WITH A SILVER NICKEL TIP, SILVER PLATED
 MOUNTING AND INTERFACE GASKETS: SILICONE
 SELF TAPPING SCREWS (PHILLIPS) - STAINLESS STEEL, #6-32 THD
 ANGLE MOUNTING SCREWS (SLOTTED) - STAINLESS STEEL
 ANGLE GASKET - EPDM

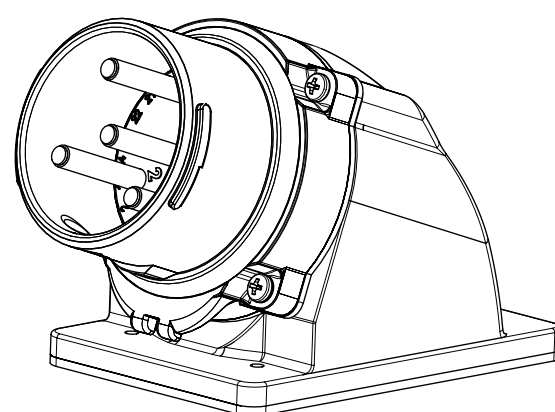
RATINGS:

CURRENT: 60 AMPS
 VOLTAGE AND HORSEPOWER: SEE TABLE
 AMBIENT OPERATING TEMPERATURE: -25°C (-13°F) TO 60°C (140°F)
 (WITH MAX. 30°C RISE ABOVE AMBIENT)
 ENVIRONMENTAL: NEMA TYPE 4X & IP69K
 WIRING CAPACITY: 10 AWG MIN. TO 4 AWG MAX.
 TORQUE TERMINAL SCREWS TO 1.7 Nm (15 in-lbs)
 AGENCY: UL LISTING PENDING
 SWITCH RATED RECEPTACLE/CONNECTOR
 BRANCH CIRCUIT DISCONNECT SWITCH
 MOTOR CIRCUIT DISCONNECT SWITCH IF HP RATED

PLUG/INLET AND ANGLE MOUNT ARE PACKAGED SEPARATELY.
 END USER ASSEMBLY REQUIRED PER INSTRUCTIONS INCLUDED.



ISO VIEWS
 SCALE 1:2



| MATERIAL NUMBER | ENGINEERING NUMBER | DESCRIPTION | INSULATOR KEYING POSITION | HORSEPOWER RATING |
|-----------------|--------------------|------------------------------|---------------------------|-------------------|
| 1122171043 | ARC60MAA01 | ARC 60A MA 125VAC 1P+N+G | 7 | 2 HP |
| 1122171044 | ARC60MAB02 | ARC 60A MA 250VAC 2P+G | | 3 HP |
| 1122171045 | ARC60MAB03 | ARC 60A MA 250VAC 3P+G | | 7.5 HP |
| 1122171046 | ARC60MAAB04 | ARC 60A MA 125/250VAC 2P+N+G | 16 | NA |
| 1122171047 | ARC60MAC02 | ARC 60A MA 208VAC 2P+G | | NA |
| 1122171048 | ARC60MAC03 | ARC 60A MA 208VAC 3P+G | | 7.5 HP |
| 1122171049 | ARC60MAAC05 | ARC 60A MA 120/208VAC 3P+N+G | 4 | NA |
| 1122171050 | ARC60MAD01 | ARC 60A MA 277VAC 1P+N+G | | NA |
| 1122171051 | ARC60MAE02 | ARC 60A MA 480VAC 2P+G | | NA |
| 1122171052 | ARC60MAE03 | ARC 60A MA 480VAC 3P+G | 14 | 20 HP |
| 1122171053 | ARC60MADE05 | ARC 60A MA 277/480VAC 3P+N+G | | NA |
| 1122171054 | ARC60MAF02 | ARC 60A MA 600VAC 2P+G | | NA |
| 1122171055 | ARC60MAF03 | ARC 60A MA 600VAC 3P+G | 14 | 20 HP |
| 1122171056 | ARC60MAGF05 | ARC 60A MA 347/600VAC 3P+N+G | | NA |

THIS DRAWING CONTAINS INFORMATION THAT IS PROPRIETARY TO MOLEX ELECTRONIC TECHNOLOGIES, LLC AND SHOULD NOT BE USED WITHOUT WRITTEN PERMISSION

DIMENSION UNITS: MM/INCH SCALE: 1:1 CURRENT REV DESC: GENERAL MARKET RELEASE

GENERAL TOLERANCES (UNLESS SPECIFIED):

| | MM | INCH |
|-------------|---------|--------|
| 4 PLACES | ± | ± |
| 3 PLACES | ± | ± 0.01 |
| 2 PLACES | ± 0.25 | ± 0.02 |
| 1 PLACE | ± 0.5 | ± 0.04 |
| 0 PLACES | ± 1.0 | ± |
| ANGULAR TOL | ± 3.0 ° | |

EC NO: 674097
 DRWN: MJANTELEZIO 2021/08/17
 CHK'D: WLEUNG 2021/08/17
 APPR: WLEUNG 2021/08/17

INITIAL REVISION:
 DRWN: VBASUTHKARP 2018/08/20
 APPR: JFMURPHY 2020/11/17

THIRD ANGLE PROJECTION

DRAFT WHERE APPLICABLE MUST REMAIN WITHIN DIMENSIONS

DRAWING: C-SIZE SERIES: 112217

60A ARCARREST PLUG KIT W/ 70DEG ANG

PRODUCT CUSTOMER DRAWING

DOCUMENT NUMBER: 1122171052 DOC TYPE: PSD DOC PART: 000 REVISION: A2

MATERIAL NUMBER: SEE TABLE CUSTOMER: GENERAL MARKET SHEET NUMBER: 1 OF 1