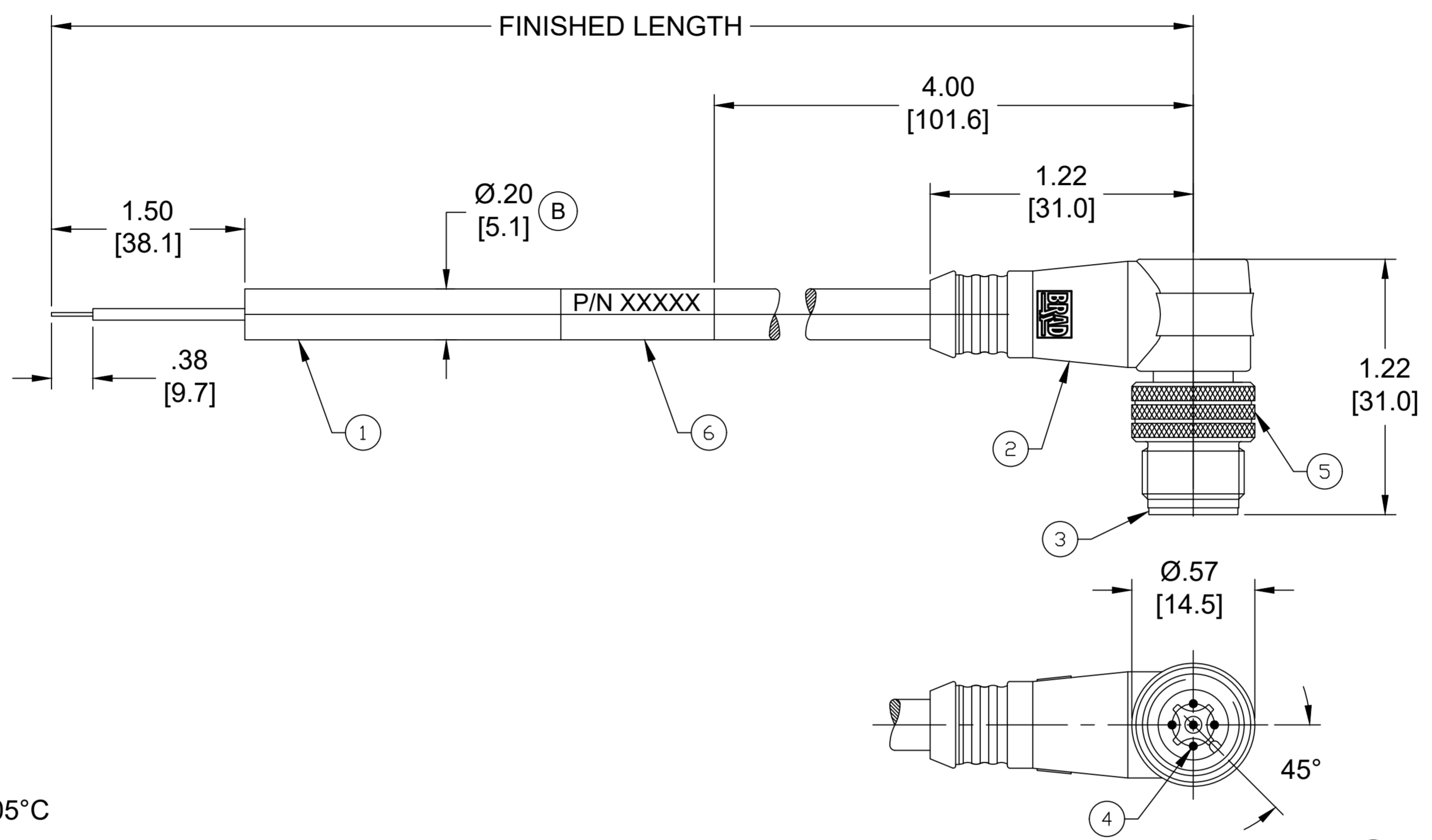
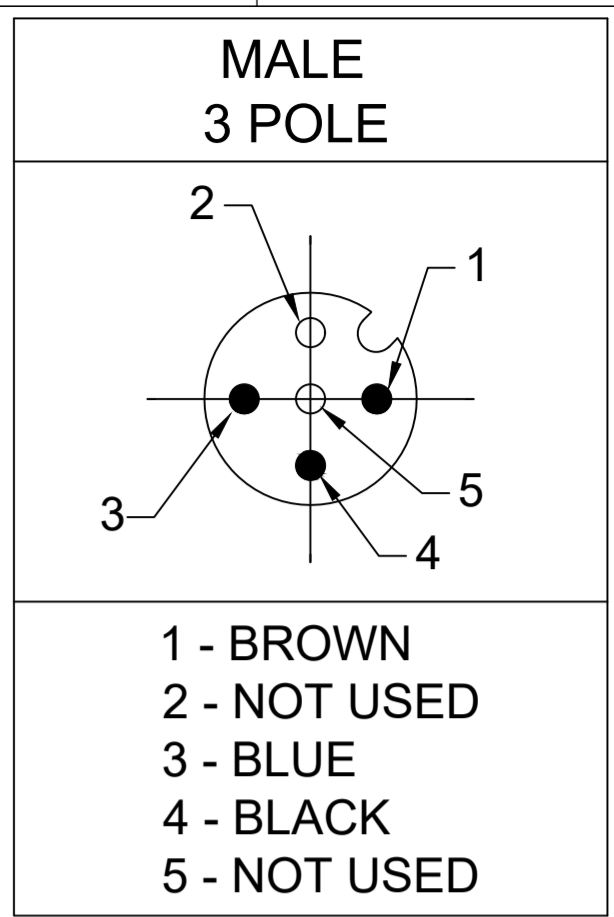


PART NO	ENGINEERING NO.	FINISHED LENGTH
1200651495	803007A09M010	1M [ 3FT 3 IN ]
1200651499	803007A09M050	5M [ 15FT 5 IN ]



- NOTES:**
- MATERIAL: AS NOTED
  - FINISH: AS NOTED
  - ELECTRICAL:  
VOLTAGE: 250V  
CURRENT: 4A
  - TEMP RATING: -20°TO +105°C
  - PROTECTION: IP67 (WHEN MATED)
  - COUPLING THREAD: M12X1
  - UL RECOGNIZED FILE: E152210  
CSA CERTIFIED FILE: LR6837 (B)
  - ALL DIMENSIONS ARE FOR REFERENCE  
UNLESS TOLERANCED OR NOTED OTHERWISE

**PART NO. MATRIX**  
**803007A09M010**

FINISHED LENGTH  
M005 = 0.5 METER  
M010 = 1 METER  
M100 = 10 METER

(B)

**CABLE LENGTH TOLERANCES**

<.3M [1FT]:	+19mm-0 [+ .75in-0]
.3 - .9M [1 - 3FT]:	+44.5mm-0 [+1.75in-0]
.9 - 1.8M [3 - 6FT]:	+55.6mm-0 [+2.19in-0]
1.8 - 3.7M [6 - 12FT]:	+88.9mm-0 [+3.50in-0]
3.7 - 7.3M [12 - 24FT]:	+165.1mm-0 [+6.50in-0]
7.3-14.6M [24 - 48FT]:	+317.5mm-0 [+12.50in-0]
14.6 - 30.5M [48-100FT]:	+622.3mm-0 [+24.50in-0]
OVER 30M [100FT]:	+2% OF FINISHED LENGTH

ITEM	DESCRIPTION	MATERIAL	FINISH
6	LABEL	VINYL	BLACK/YELLOW
5	COUPLER	BRASS	NICKEL PLATED
4	PIN CONTACT	COPPER ALLOY	GOLD OVER NICKEL
3	INSERT	PUR	BLACK
2	OVERMOLD	PUR	YELLOW
1	#22/3 CABLE	PVC JACKET	YELLOW

THIS DRAWING CONTAINS INFORMATION THAT IS PROPRIETARY TO MOLEX ELECTRONIC TECHNOLOGIES, LLC AND SHOULD NOT BE USED WITHOUT WRITTEN PERMISSION

FUNCTIONAL SYMBOLS	DIMENSION UNITS	SCALE	CURRENT REV DESC: ITEM #6 WAS MYLAR. ADDED CSA, CABLE DIA & TOL CHART. MODIFIED PN CHART & FACE VIEW	
$\frac{F}{A}=0$	INCH/MM	NTS		
$\frac{F}{C}=0$	GENERAL TOLERANCES (UNLESS SPECIFIED)			
$\frac{F}{P}=0$	mm	INCH		
DIVISIONAL SYMBOLS	4 PLACES	±----	EC NO: 671333	
	3 PLACES	±----	DRWN: ABENJAMINLW	2021/04/23
	2 PLACES	±----	CHK'D: RSTONE	2021/07/23
	1 PLACE	±----	APPR: BWOODMAN	2021/07/28
	0 PLACES	±----	INITIAL REVISION:	
	ANGULAR TOL ± ---- °		DRWN: GGUSTAFS	2013/12/04
	DRAFT WHERE APPLICABLE MUST REMAIN WITHIN DIMENSIONS		APPR: BWOODMAN	2013/12/12
	THIRD ANGLE PROJECTION	DRAWING	SERIES	DOCUMENT NUMBER
		C-SIZE	120065	SD-120065-071
			MATERIAL NUMBER	CUSTOMER
			SEE CHART	GENERAL MARKET
			DOC TYPE/DOC PART	REVISION
			PSD	001 B
			SHEET NUMBER	
			1 OF 1	