

# Panel mounting frames - VS-PPC-F1-RJ45-MNNA-1C-FJJ - 1405332


Please be informed that the data shown in this PDF Document is generated from our Online Catalog. Please find the complete data in the user's documentation. Our General Terms of Use for Downloads are valid (<http://phoenixcontact.com/download>)



RJ45 panel mounting frame, IP67, for push-pull interlocking, metal, with the Freenet system, for round panel cutout, with the RJ45 socket/socket socket insert, with seal, without mounting screws



## Key Commercial Data

Packing unit	1 pc
GTIN	 4 046356 420433
GTIN	4046356420433

## Technical data

### Mechanical characteristics

Number of positions	8
Number of slots	2
Locking type	Push Pull
Insertion/withdrawal cycles	>= 100
Color	silver
Degree of protection	IP65/IP67
Type	RJ45, IP65/67, version 14
Note	This product corresponds to the PROFINET Cabling and Interconnection Technology Guideline for PROFINET regulations, version 2.00, order no: 2.252, Chapter 8.2 Connectors for Outside Environment (Balanced cabling) and chapter 13 Application specific Cabling and Interconnection Technology (AIDA)

### Ambient conditions

Ambient temperature (operation)	-40 °C ... 70 °C
---------------------------------	------------------

### Material data

Housing material	Zinc die-cast
Housing surface material	Nickel-plated
Contact surface material	Au/Ni

## Panel mounting frames - VS-PPC-F1-RJ45-MNNA-1C-FJJ - 1405332

### Technical data

#### Material data

Material	Metal
Sealing material	NBR
Height	42 mm

#### Electrical characteristics

Number of positions	8
Transmission characteristics (category)	CAT5 (IEC 11801:2002)
GRP transmission properties	CAT5 (IEC 11801:2002)
Degree of pollution	2
Rated voltage (III/3)	72 V (DC)

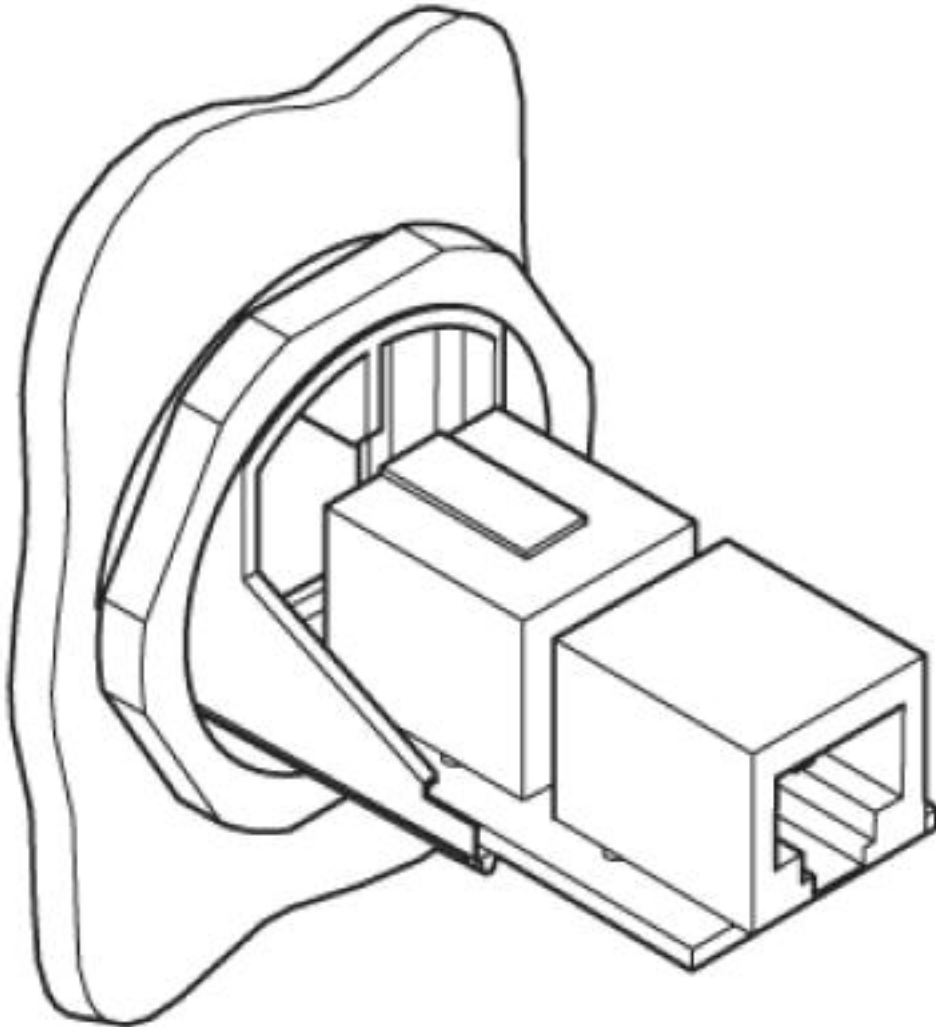
#### Environmental Product Compliance

	Lead 7439-92-1
China RoHS	Environmentally Friendly Use Period = 50
	For details about hazardous substances go to tab "Downloads", Category "Manufacturer's declaration"

### Drawings

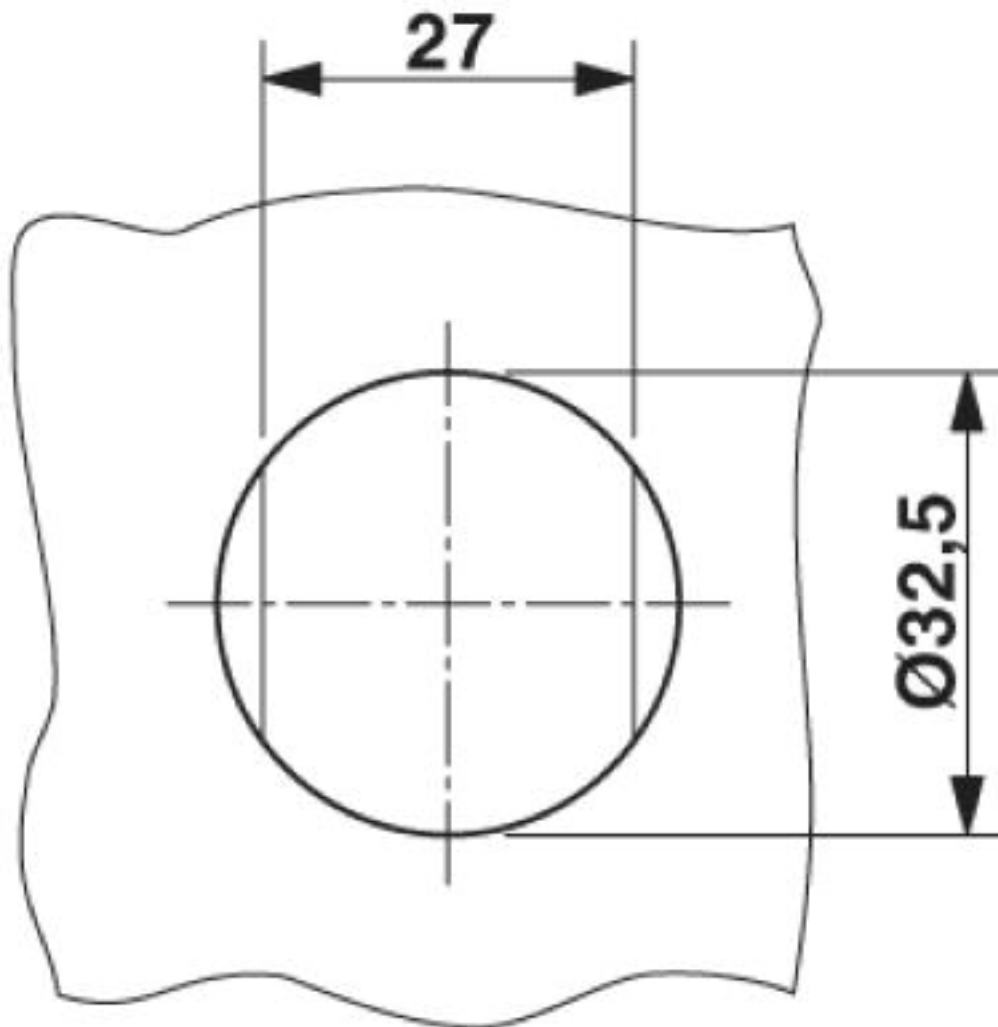
## Panel mounting frames - VS-PPC-F1-RJ45-MNNA-1C-FJJ - 1405332

Schematic diagram



# Panel mounting frames - VS-PPC-F1-RJ45-MNNA-1C-FJJ - 1405332

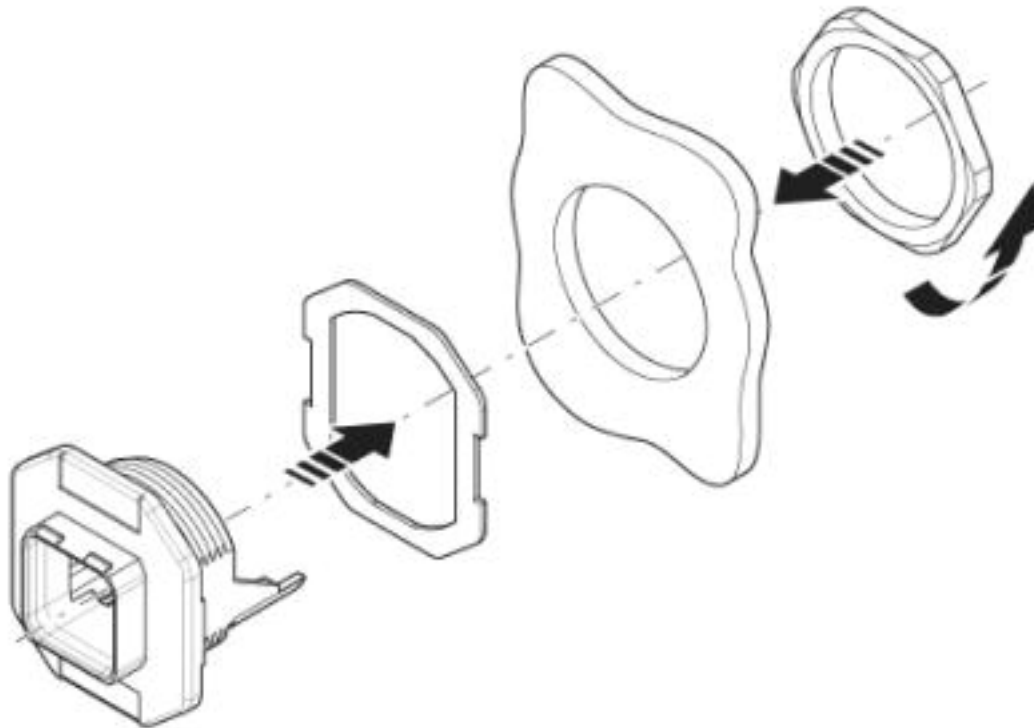
Drilling diagram



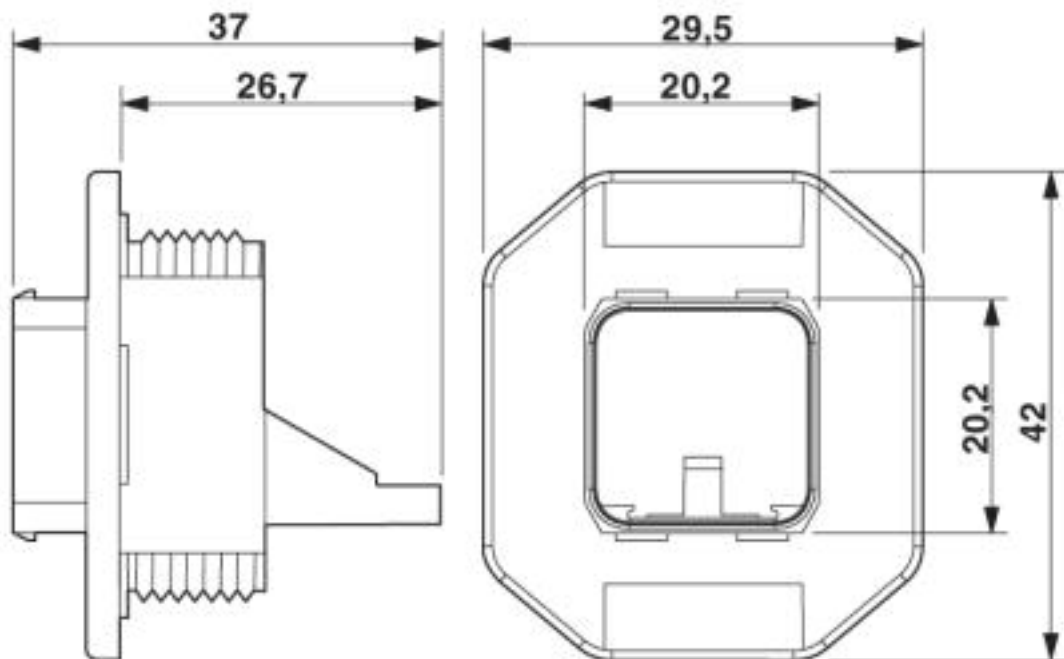
Mounting cutout

# Panel mounting frames - VS-PPC-F1-RJ45-MNNA-1C-FJJ - 1405332

Exploded view



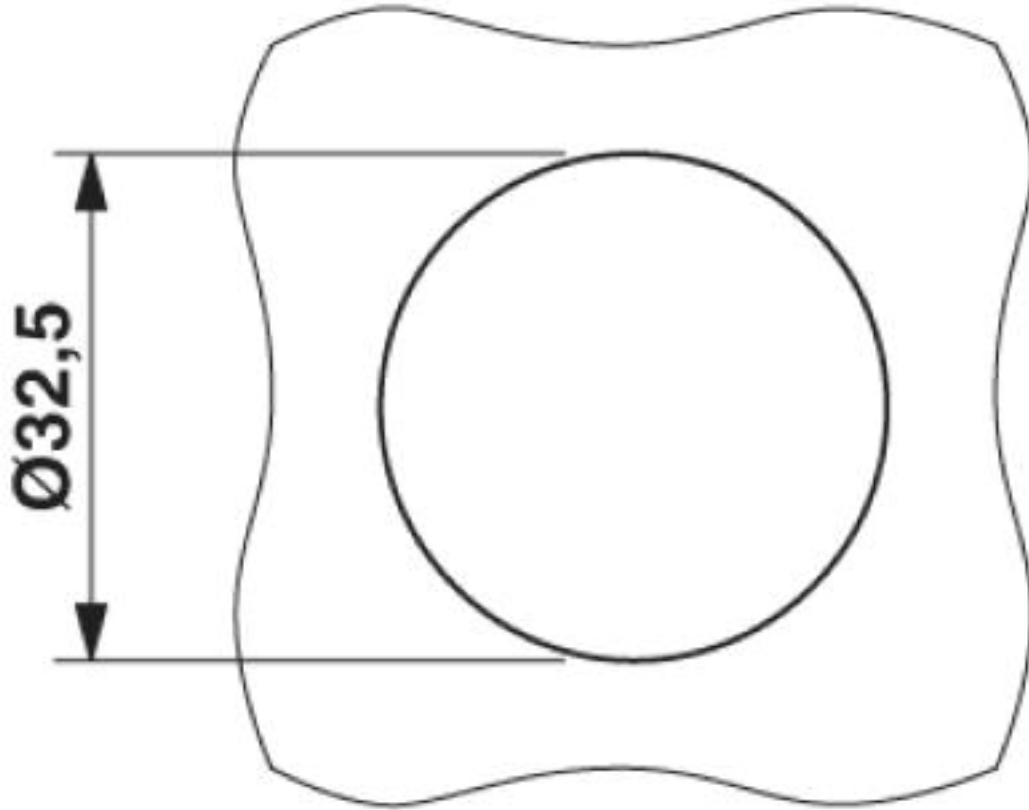
Dimensional drawing



Push-Pull panel mounting frame, Freenet system, IP67

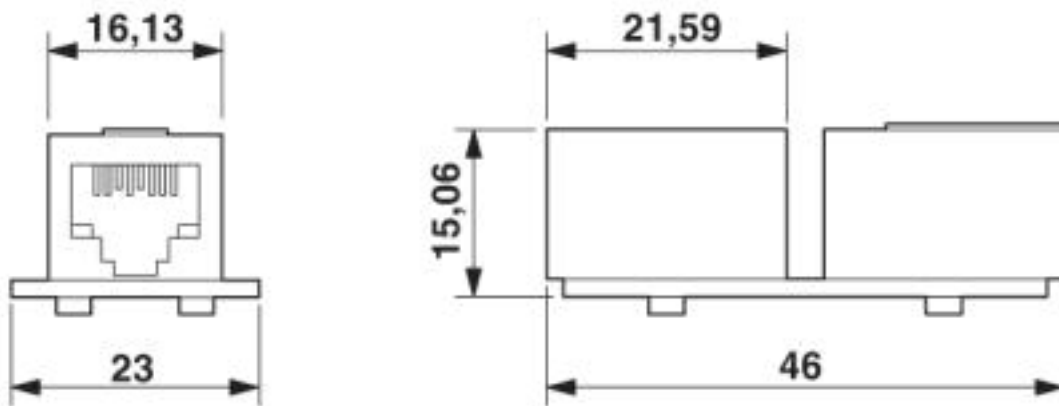
# Panel mounting frames - VS-PPC-F1-RJ45-MNNA-1C-FJJ - 1405332

Dimensional drawing



Mounting cutout

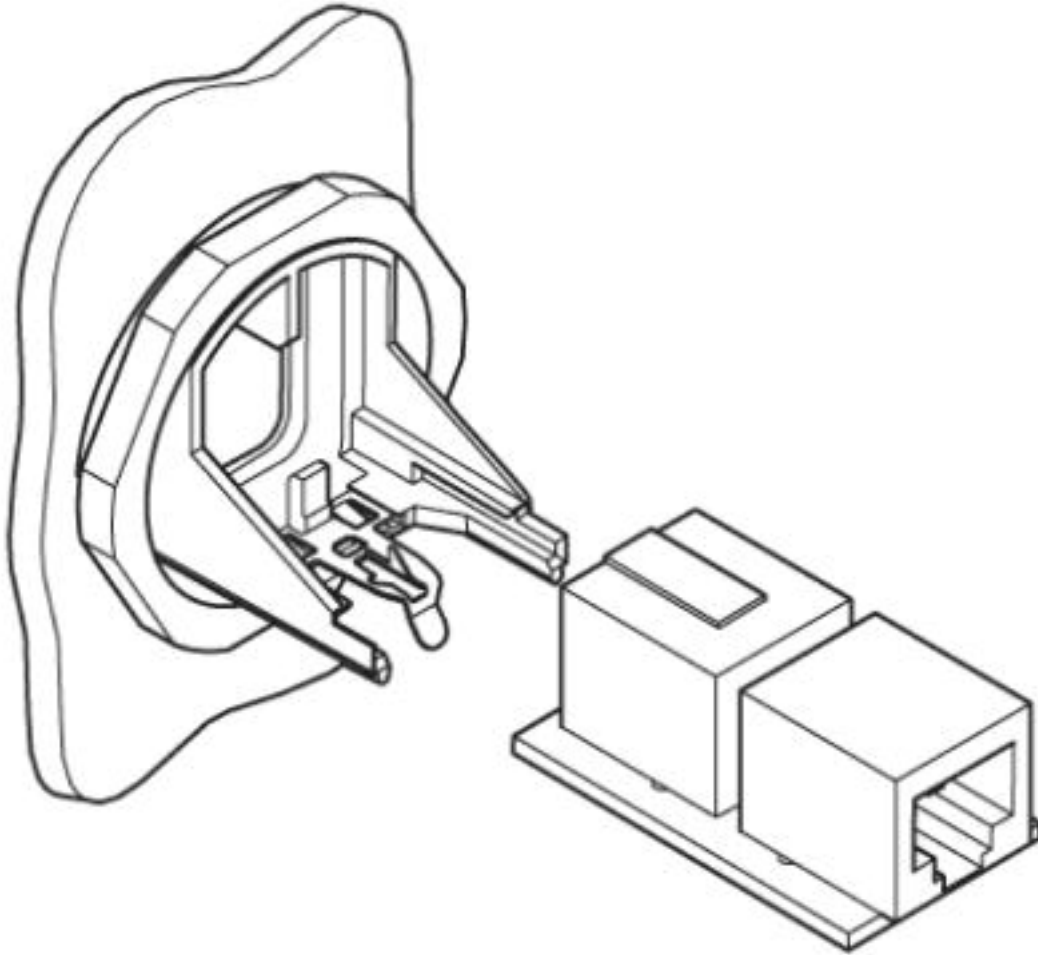
Dimensional drawing



RJ45 socket insert, Freenet system

# Panel mounting frames - VS-PPC-F1-RJ45-MNNA-1C-FJJ - 1405332

Schematic diagram



## Approvals

Approvals

---

Approvals

EAC

---

Ex Approvals

## Approval details

EAC		B.00767
-----	--	---------



---

Phoenix Contact 2019 © - all rights reserved  
<http://www.phoenixcontact.com>

PHOENIX CONTACT GmbH & Co. KG  
Flachsmarktstr. 8  
32825 Blomberg  
Germany  
Tel. +49 5235 300  
Fax +49 5235 3 41200  
<http://www.phoenixcontact.com>