

Bus system flat-type plug - SACC-DSIV-FSD-4CON-L180 SCO - 1542619

Please be informed that the data shown in this PDF Document is generated from our Online Catalog. Please find the complete data in the user's documentation. Our General Terms of Use for Downloads are valid (<http://phoenixcontact.com/download>)



Bus system flush-type socket, Ethernet, 4-pos., M12 SPEEDCON, D-coded, rear/screw mounting with M12 thread, with polarity protection, with straight solder connection



Key Commercial Data

Packing unit	10 pc
GTIN	
GTIN	4046356097888

Technical data

Ambient conditions

Ambient temperature (operation)	-25 °C ... 85 °C (Plug / socket)
Degree of protection	IP67

General

Note	This product corresponds to the PROFINET Cabling and Interconnection Technology Guideline for PROFINET regulations, version 2.00, order no: 2.252, Chapter 8.2 Connectors for Outside Environment (Balanced cabling)
Rated current at 40°C	4 A
Rated voltage	250 V
Number of positions	4
Insulation resistance	≥ 100 MΩ
Coding	D - data
Standards/regulations	IEC 61076-2-101
Status display	No
Overvoltage category	II
Degree of pollution	3
Connection method	Solder pins

Bus system flat-type plug - SACC-DSIV-FSD-4CON-L180 SCO - 1542619

Technical data

General

Insertion/withdrawal cycles	> 100
Mounting type	Rear mounting M12 x 1 With flat nut

Material

Flammability rating according to UL 94	V0
Contact material	CuZn
Contact surface material	Ni/Au
Contact carrier material	PA 6.6
Material, knurls	Zinc die-cast, nickel-plated
Sealing material	FKM / EPDM

Standards and Regulations

Standards/regulations	IEC 61076-2-101
Flammability rating according to UL 94	V0

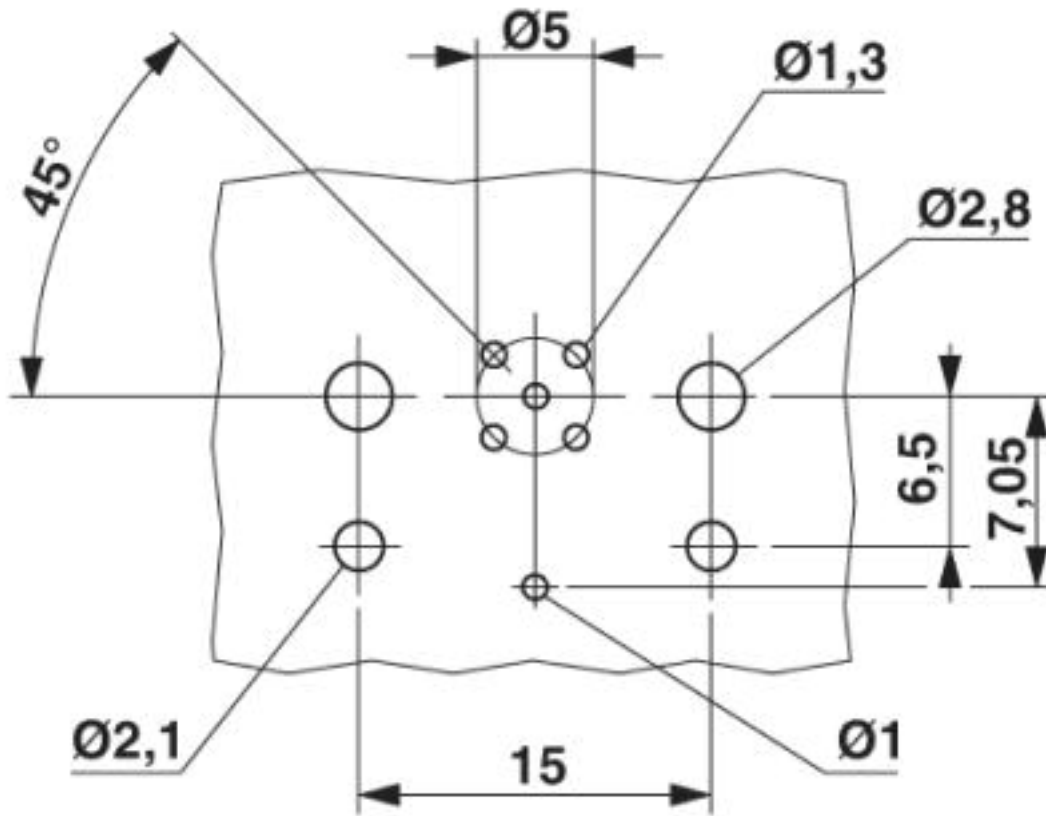
Environmental Product Compliance

	Lead 7439-92-1
China RoHS	Environmentally Friendly Use Period = 50
	For details about hazardous substances go to tab "Downloads", Category "Manufacturer's declaration"

Drawings

Bus system flat-type plug - SACC-DSIV-FSD-4CON-L180 SCO - 1542619

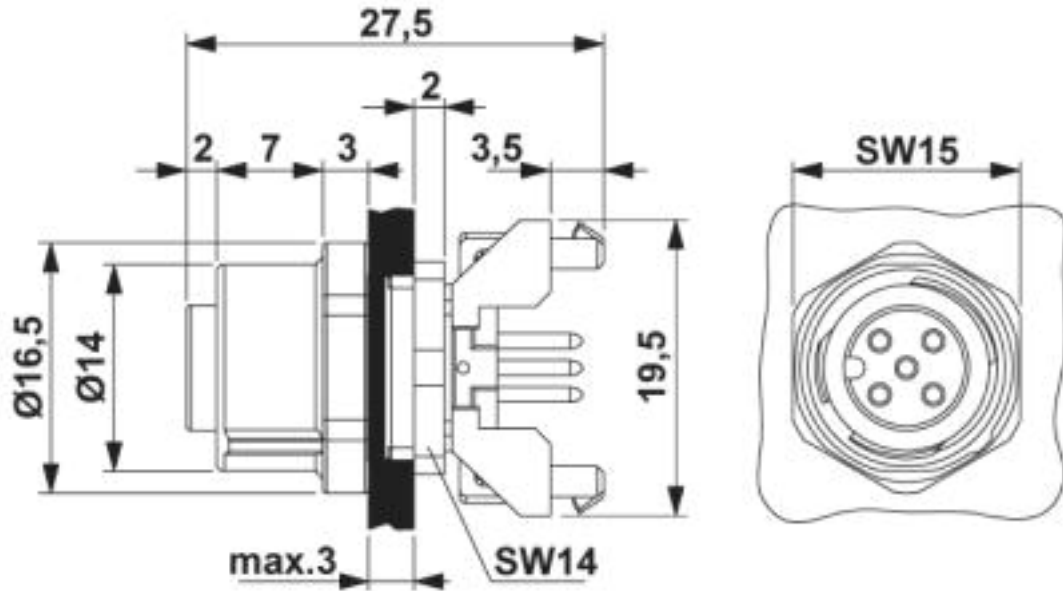
Drilling diagram



M12 flush-type connector

Bus system flat-type plug - SACC-DSIV-FSD-4CON-L180 SCO - 1542619

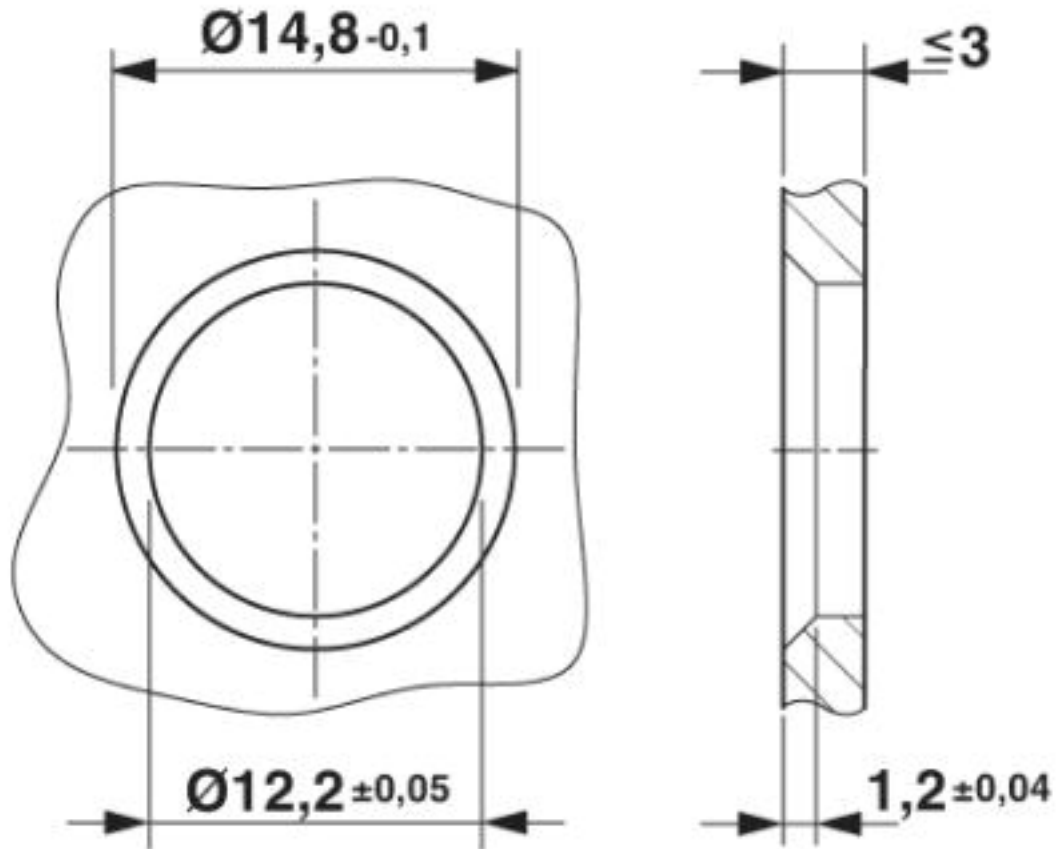
Dimensional drawing



M12 flush-type connector

Bus system flat-type plug - SACC-DSIV-FSD-4CON-L180 SCO - 1542619

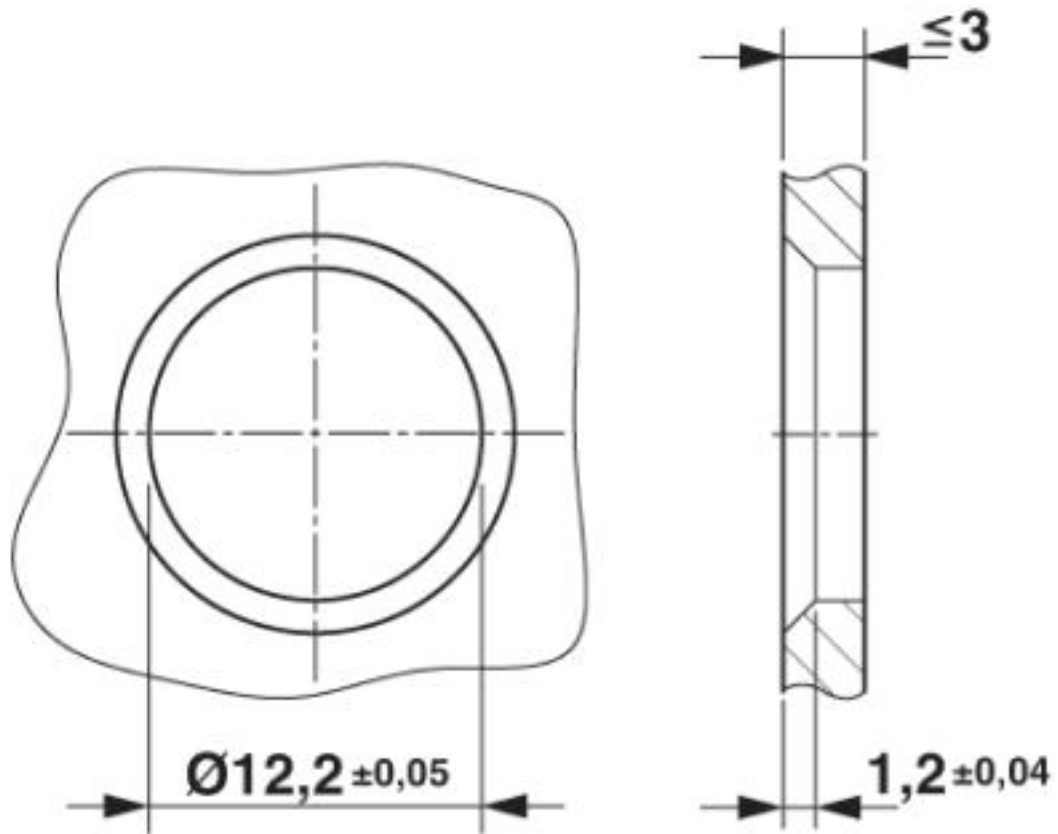
Dimensional drawing



Housing cut-out for two-part M12 flush-type connectors with THR and wave soldering connection, version 1

Bus system flat-type plug - SACC-DSIV-FSD-4CON-L180 SCO - 1542619

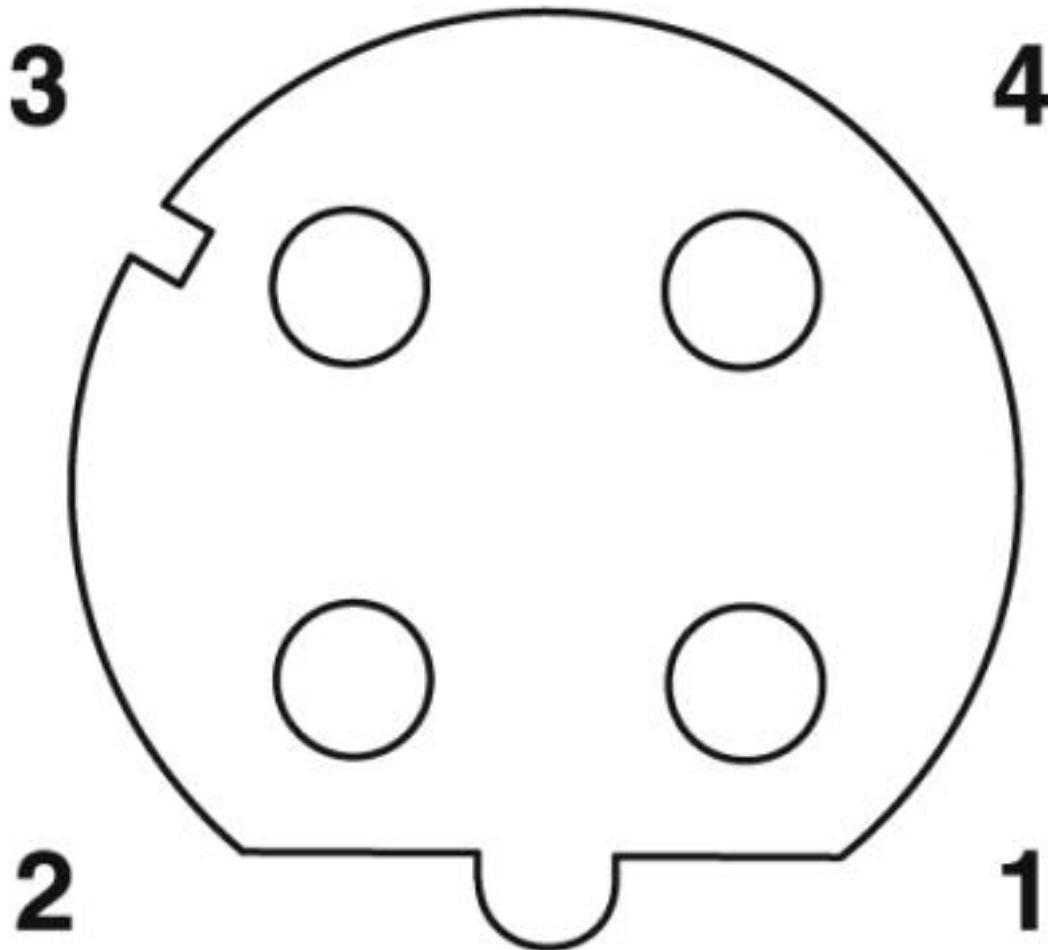
Dimensional drawing



Housing cut-out for two-part M12 flush-type connectors with THR and wave soldering connection, version 2

Bus system flat-type plug - SACC-DSIV-FSD-4CON-L180 SCO - 1542619

Schematic diagram



Pin assignment M12 socket, 4-pos., D-coded, female side

Approvals

Approvals

Approvals


UL Recognized / EAC

Ex Approvals

Approval details

Bus system flat-type plug - SACC-DSIV-FSD-4CON-L180 SCO - 1542619

Approvals

UL Recognized		http://database.ul.com/cgi-bin/XYV/template/LISEXT/1FRAME/index.htm	FILE E 118976
Nominal voltage UN		250 V	
Nominal current IN		4 A	
mm ² /AWG/kcmil		22	

EAC		B.01742
-----	---	---------

Phoenix Contact 2019 © - all rights reserved
<http://www.phoenixcontact.com>

PHOENIX CONTACT GmbH & Co. KG
Flachsmarktstr. 8
32825 Blomberg
Germany
Tel. +49 5235 300
Fax +49 5235 3 41200
<http://www.phoenixcontact.com>