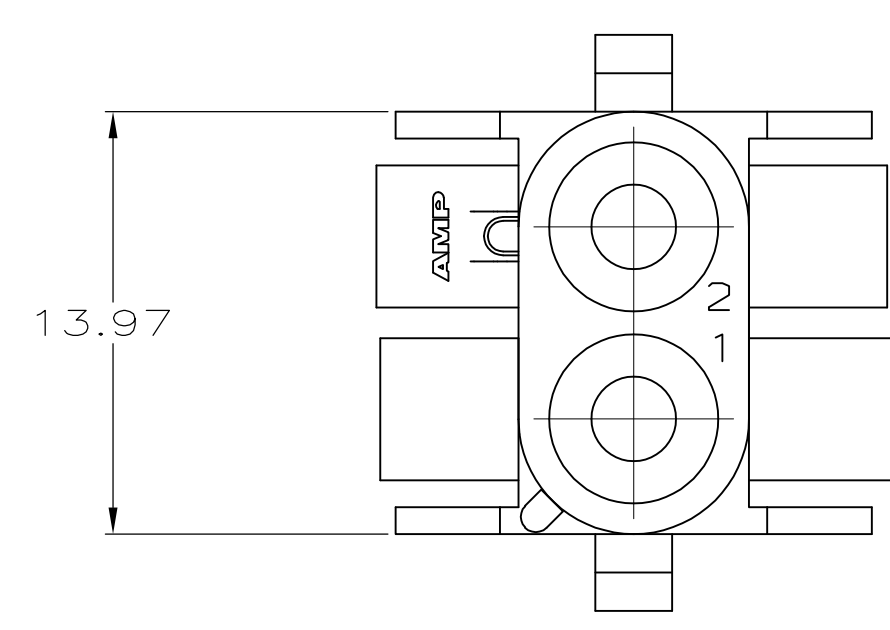
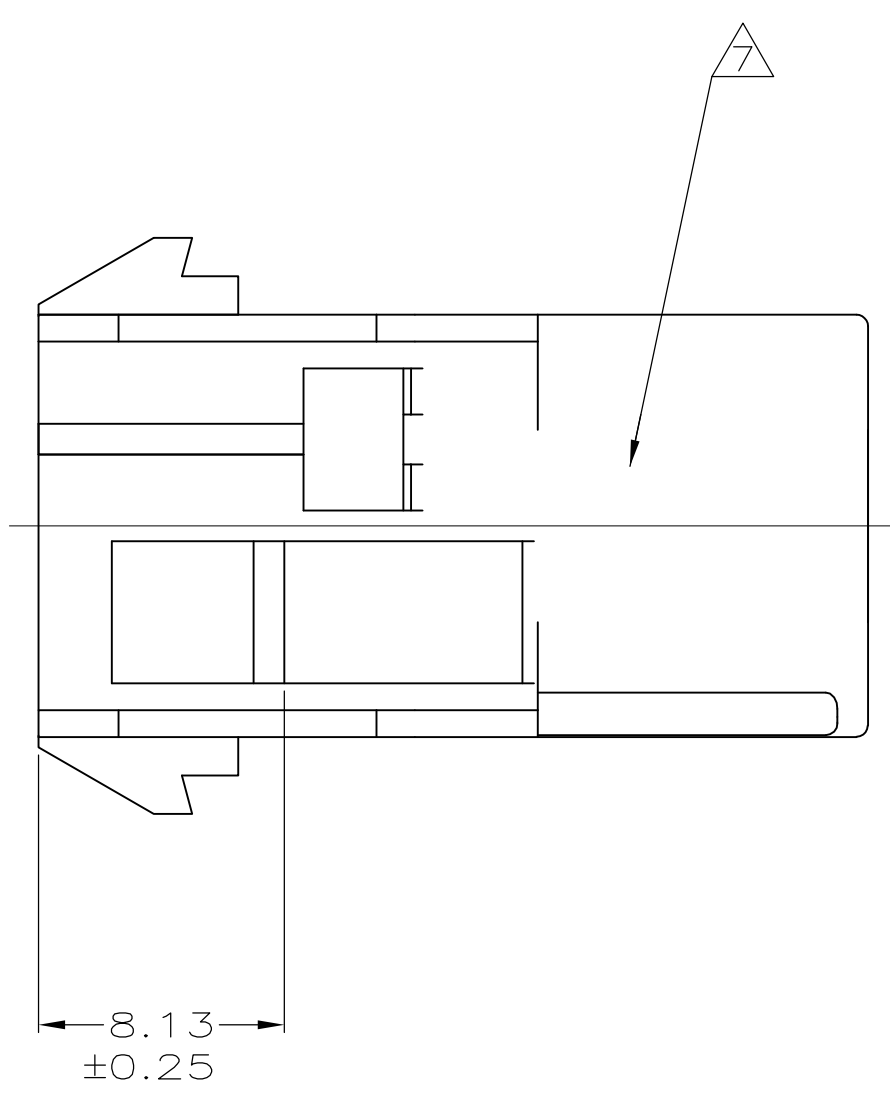
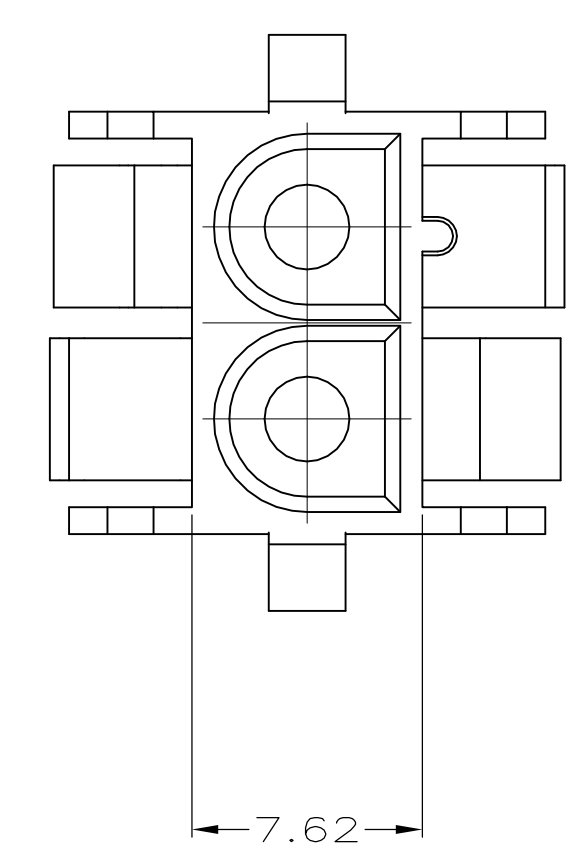
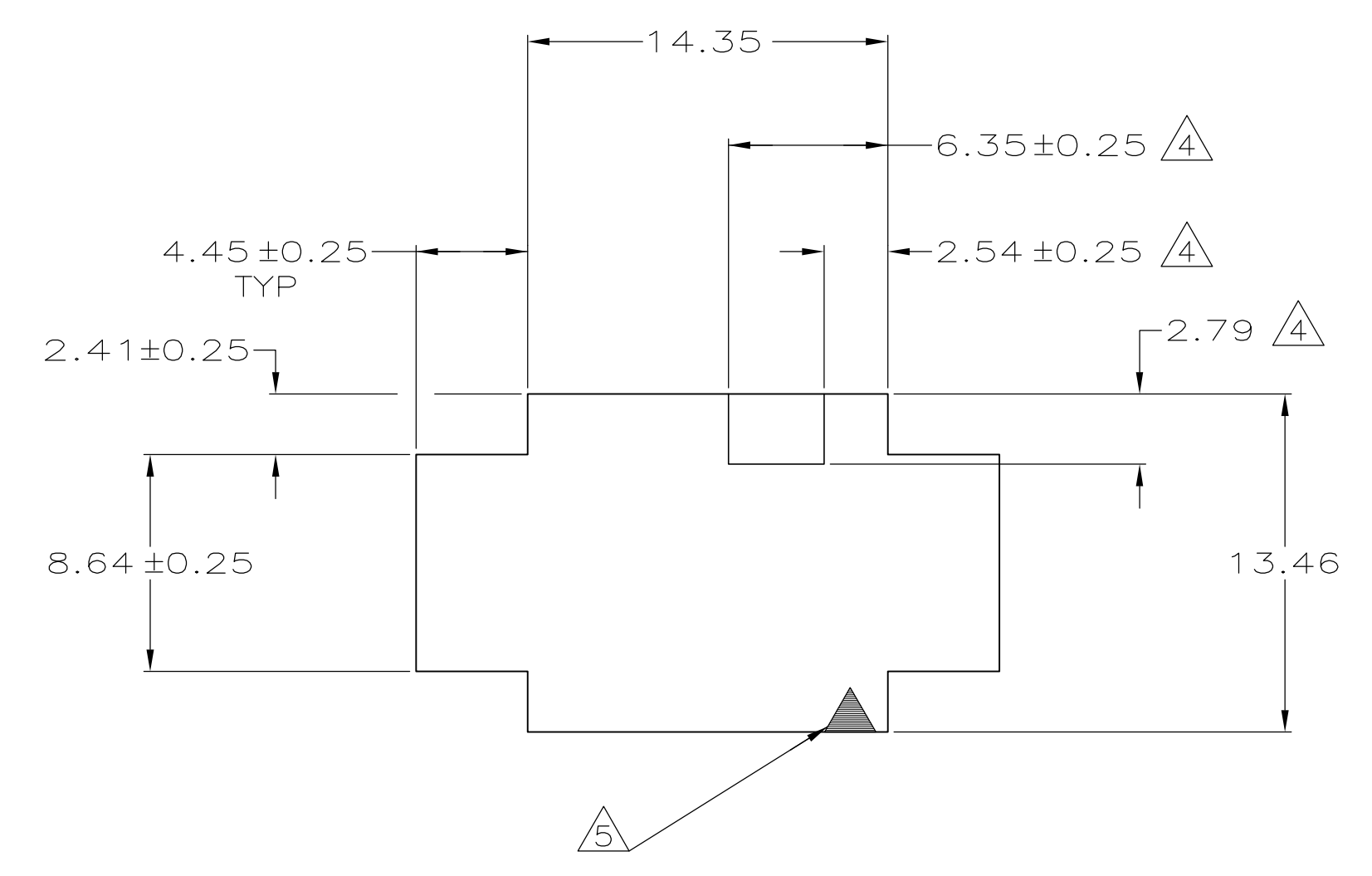
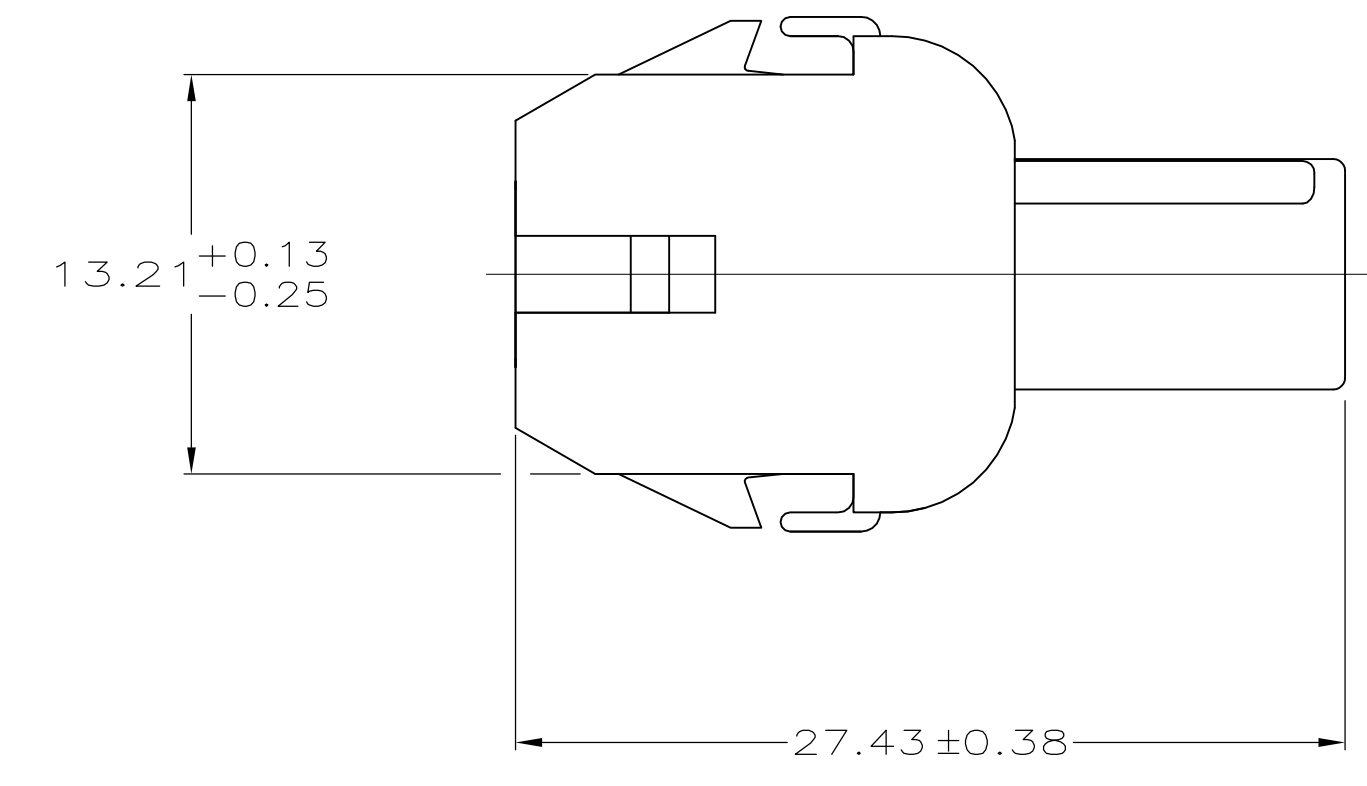


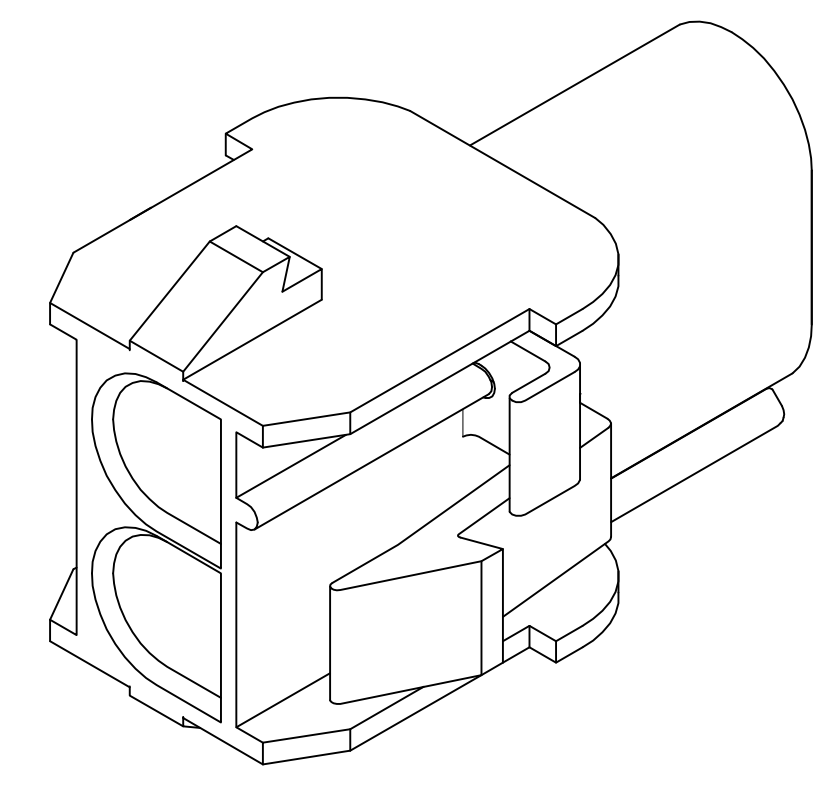
REVISIONS				
P	LTR	DESCRIPTION	DATE	BY
A1		REVISED PER ECR-17-015449	25OCT2017	BDA KR



1. MATES WITH APPROPRIATE UNIVERSAL MATE-N-LOK™ PLUG.
 2. RECOMMENDED PANEL THICKNESS 0.76–2.29.
 3. PANEL MUST BE PUNCHED SO THAT THE HOUSING ENTERS THE PANEL IN THE SAME DIRECTION AS THE PUNCH.
 4. OPTIONAL FOR KEYING HOUSING IN PANEL.
 5. CIRCUIT NUMBER 1 LOCATION.
 6. DIMENSIONS SHOWN REPRESENT PRODUCT IN DRY, AS MOLDED, CONDITION. ADDITIONAL 2% GROWTH DUE TO SUBSEQUENT MOISTURE ABSORPTION MAY OCCUR AND SHOULD BE ACCOUNTED FOR.
- △ UNDERWRITERS RECOGNIZED COMPONENT LOGO AND CSA CERTIFICATION LOGO TO BE LOCATED ONCE EACH ON SIDE OF HOUSING.



RECOMMENDED PANEL CUT OUT



3-DIMENSIONAL MODEL NTS

4.45	.175	27.43	1.080
2.79	.110	14.35	.565
2.54	.100	13.97	.550
2.41	.095	13.46	.530
2.29	.090	13.21	.520
0.76	.030	8.64	.340
0.38	.015	8.13	.320
0.25	.010	7.62	.300
0.13	.005	6.35	.250
MM	IN	MM	IN

CONVERSION TABLE

1586703-1
PART NO

THIS DRAWING IS A CONTROLLED DOCUMENT.

DIMENSIONS: mm	TOLERANCES UNLESS OTHERWISE SPECIFIED:	DIN K. WHITAKER 03JUNE2005	CHK S. RIDGILL 03JUNE2005	APVD S. RIDGILL 03JUNE2005	NAME
0. PLC ± -	1. PLC ± -	2. PLC ± 0.13	3. PLC ± -	4. PLC ± -	ANGLES ± 0°30'
MATERIAL NYLON,UL 94V-2	FINISH -	SIZE A1	CAGE CODE 00779	DRAWING NO. 1586703	RESTRICTED TO
CUSTOMER DRAWING		SCALE 4:1	SHEET 1 OF 1	REV A1	

TE Connectivity
CAP.2 CIRCUIT,SPECIAL, UNIVERSAL MATE-N-LOK(TM)