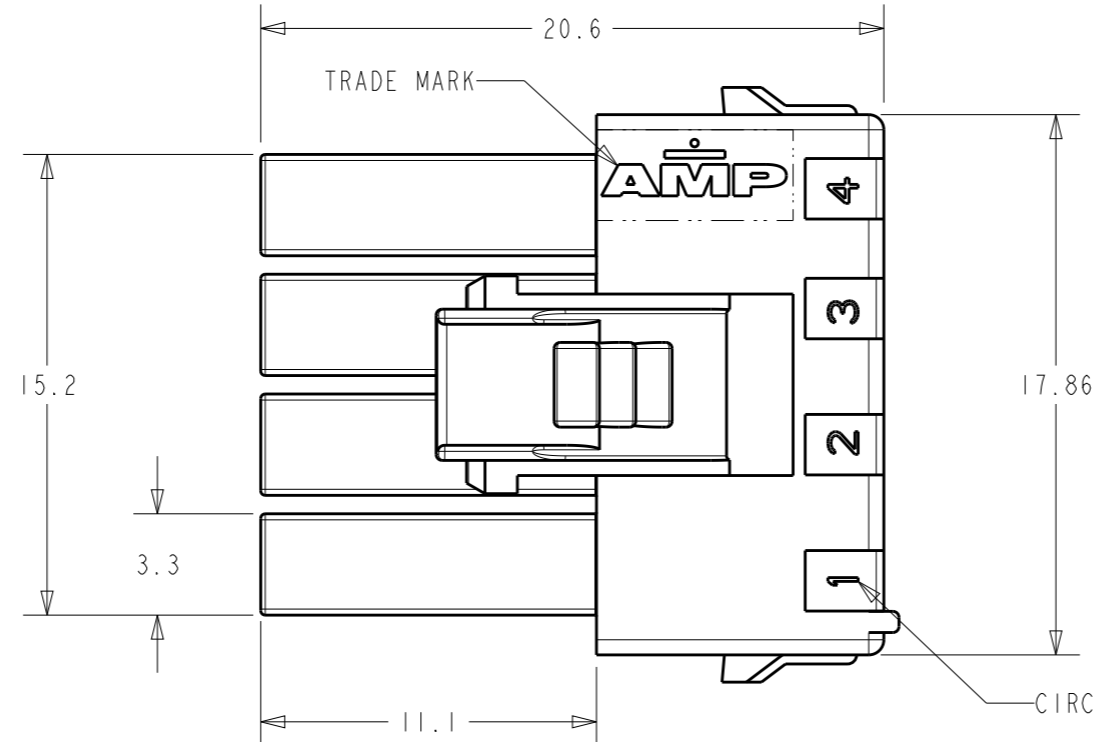
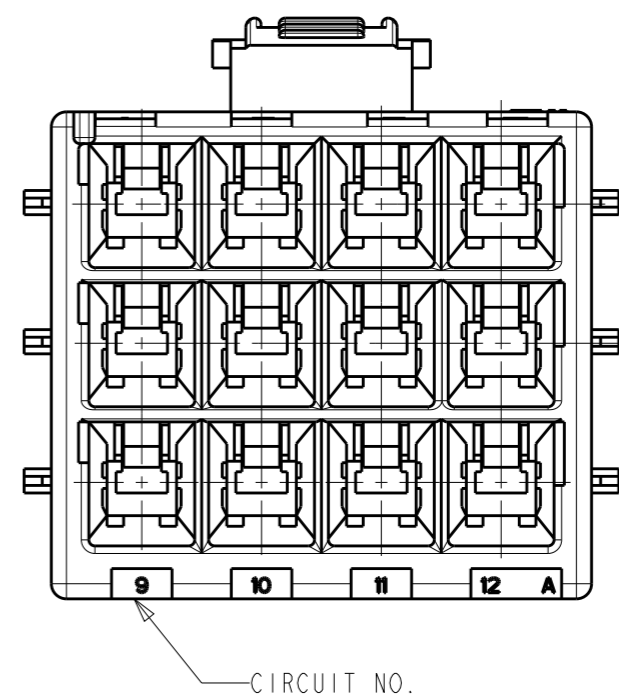
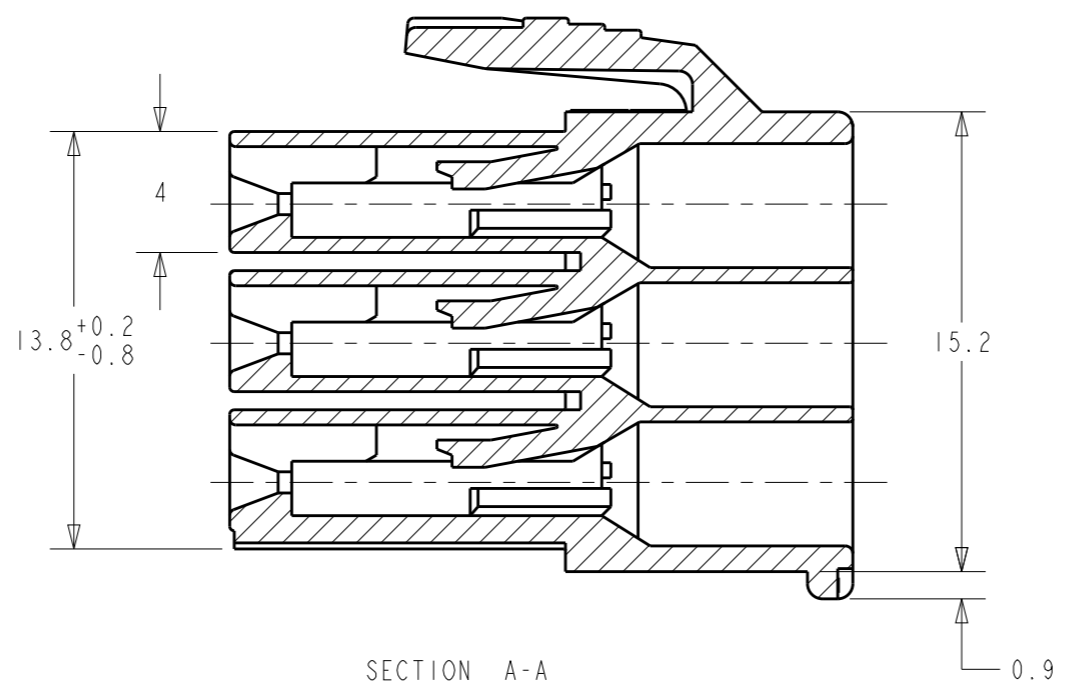
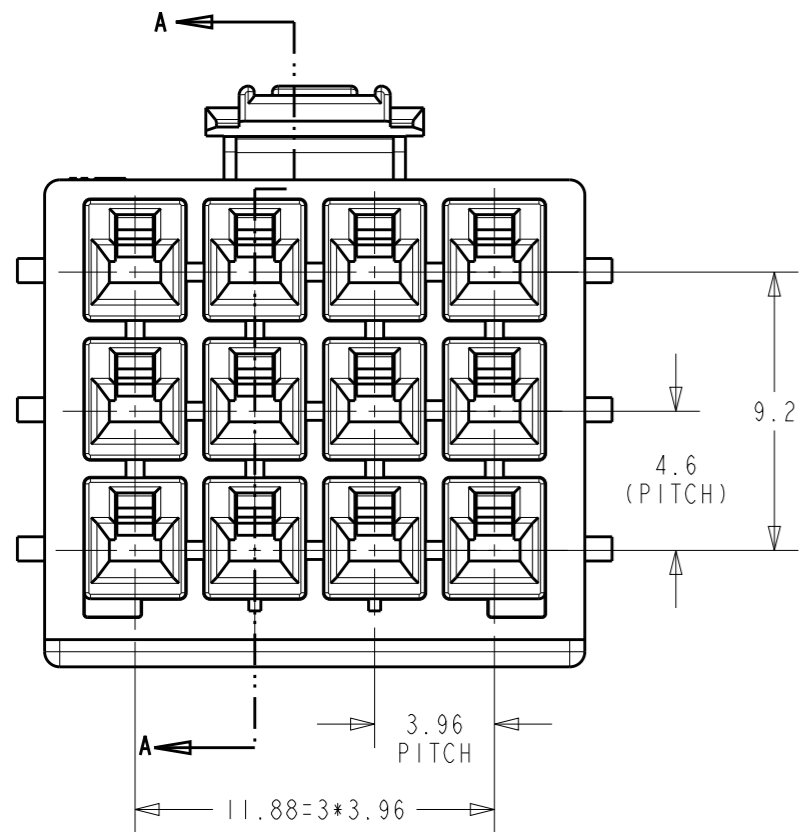


REVISIONS				
P	LTR	DESCRIPTION	DATE	APVD
B		REVISED PER ECR-19-009721	01JUL2019	M.G D.Z



- 1 THIS HOUSING ACCEPTS RECEPTACLE TERMINAL:
- REC CONTACT: 177915-□ (AWG #16-#20)
: 177914-□ (AWG #22-#26)
- 2 MATING CONN. P/N
- TAB CONTACT: 177917-□ (AWG #16-#20)
: 177916-□ (AWG #22-#26)
- 3 APPLICABLE DOUBLE LOCK PLATE: 177920-1
* IT SHOULD BE USED CERTAINLY WHEN CABLE ASS'Y
- 4 GENERAL TOLERANCES: ±0.3
- 5 MATERIAL: PA66, UL94V-0,
COMPLY WITH GLOW WIRE REQUIREMENT FOR PARTS OF
NON-METALLIC MATERIALSUPPORTING A CURRENT-CARRYING
CONNECTION DETAILED IN IEC 60335-1, SECTION 30(GWT)



COLOR	PART NUMBER
BLUE	2005255-6
YELLOW	2005255-4
NATURAL	2005255-1

THIS DRAWING IS A CONTROLLED DOCUMENT.		DWN SC KIM	TE Connectivity															
DIMENSIONS: mm		CHK BW KANG			NAME PDL 12P PLUG HSG 3.96MM T/R (GWT)													
TOLERANCES UNLESS OTHERWISE SPECIFIED:		APVD JK SONG	PRODUCT SPEC 108-5410															
<table border="0"> <tr><td>0 PLC</td><td>±-</td></tr> <tr><td>1 PLC</td><td>±-</td></tr> <tr><td>2 PLC</td><td>±-</td></tr> <tr><td>3 PLC</td><td>±-</td></tr> <tr><td>4 PLC</td><td>±-</td></tr> <tr><td>ANGLES</td><td>±-</td></tr> </table>		0 PLC	±-	1 PLC	±-	2 PLC	±-	3 PLC	±-	4 PLC	±-	ANGLES	±-	APPLICATION SPEC 114-5175	SIZE A3	CAGE CODE 00779	DRAWING NO C-2005255	RESTRICTED TO -
0 PLC	±-																	
1 PLC	±-																	
2 PLC	±-																	
3 PLC	±-																	
4 PLC	±-																	
ANGLES	±-																	
MATERIAL 5		FINISH -	WEIGHT -	SCALE 4:1		SHEET 1 OF 1	REV B											
CUSTOMER DRAWING																		