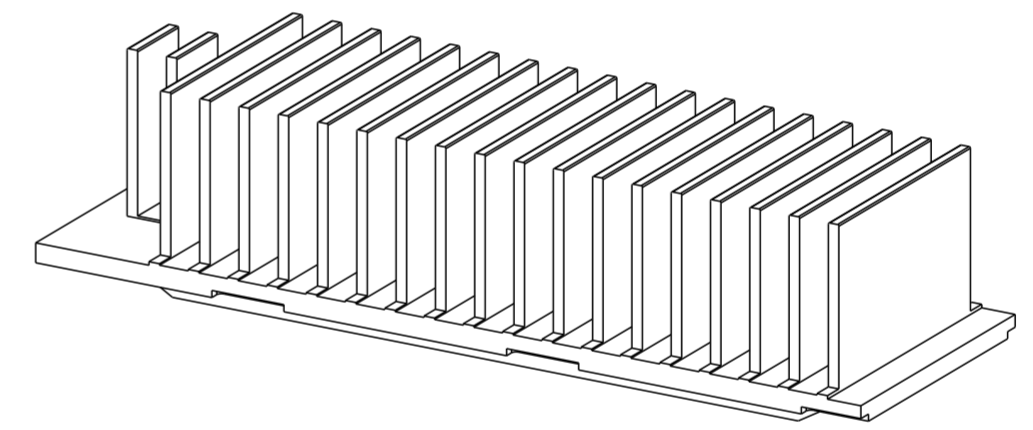
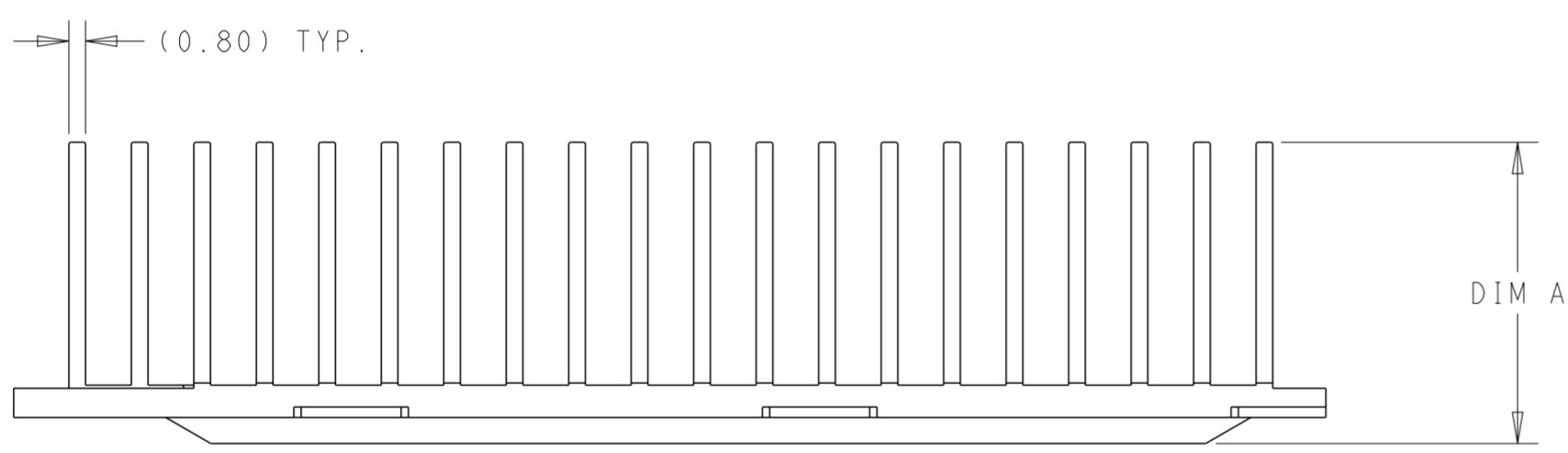
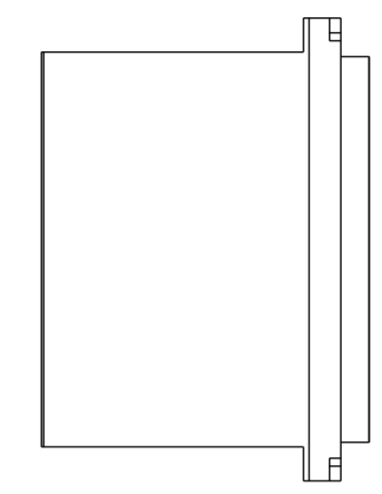
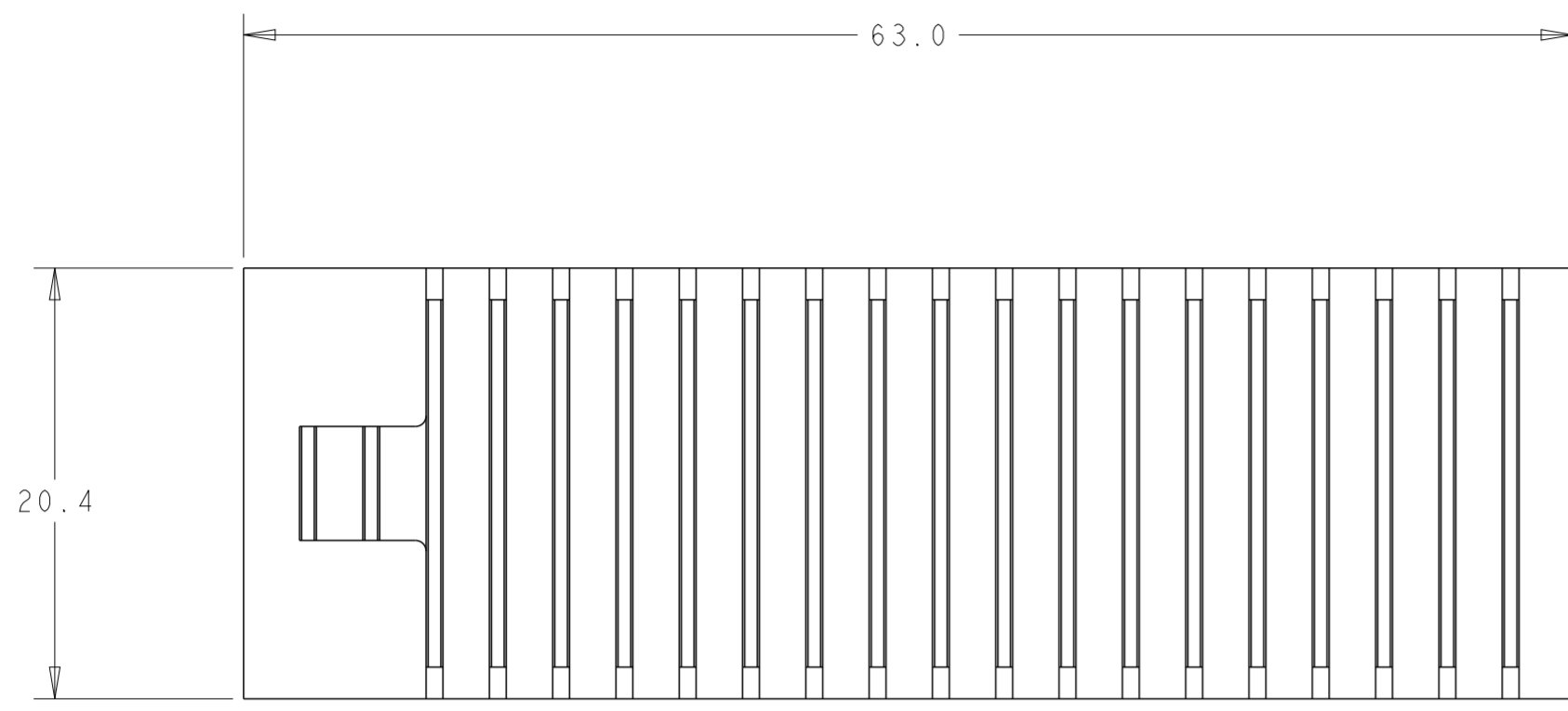


THIS DRAWING IS UNPUBLISHED. RELEASED FOR PUBLICATION 20
 © COPYRIGHT 20 BY - ALL RIGHTS RESERVED.

| REVISIONS | | | | |
|-----------|-----|---------------------------|-----------|-------|
| P | LTR | DESCRIPTION | DATE | APVD |
| 1 | | INITIAL RELEASE | 11OCT2016 | AD SH |
| 2 | | REVISED PER ECN-22-167680 | 03AUG2022 | AK SZ |
| | | | | |
| | | | | |



SCALE 2:1

- ① MATERIAL: ALUMINUM ALLOY;
- ② FINISH: ELECTROLESS NICKEL;
- ③ FINISH: ANODIZED BLACK;
- 4.0.2mm MAX BURR PERMISSIBLE
- 5.VARIATION IN PLATING COLOR IS NORMAL AND ALLOWED

| | | | |
|----------|-------|--------|-------------|
| OBSOLETE | 14.45 | ③ | 2289501-3 |
| DIM. A | | FINISH | PART NUMBER |

| | | | | |
|--|------------|-------------------------|---|-----------------|
| THIS DRAWING IS A CONTROLLED DOCUMENT. | | DWN ANDY XIE 11OCT2016 | STE TE Connectivity | |
| DIMENSIONS: mm | | CHK SEAN HAN 11OCT2016 | | |
| TOLERANCES UNLESS OTHERWISE SPECIFIED: | | APVD SEAN HAN 11OCT2016 | NAME HEAT SINK, SIDE TO SIDE AIRFLOW CFP4 | |
| 0 PLC ± | 1 PLC ±0.3 | PRODUCT SPEC - | SIZE A2 | CAGE CODE - |
| 2 PLC ±0.25 | 3 PLC ±0.2 | APPLICATION SPEC - | DRAWING NO C-2289501 | RESTRICTED TO - |
| 4 PLC ± | ANGLES ± | WEIGHT - | SCALE 1:1 | SHEET 1 OF 1 |
| FINISH - | FINISH - | CUSTOMER DRAWING | REV 2 | |