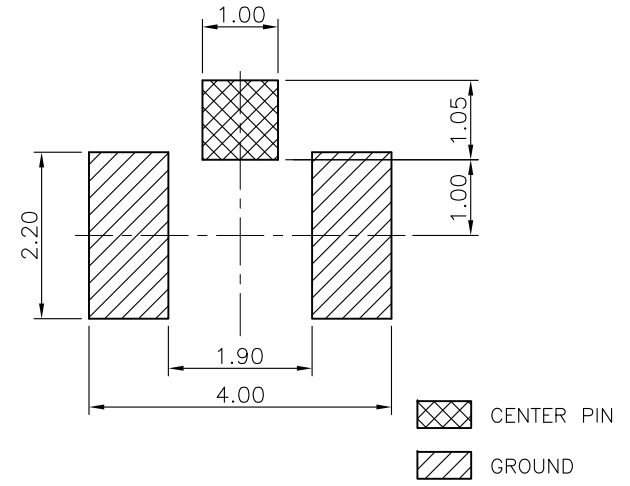
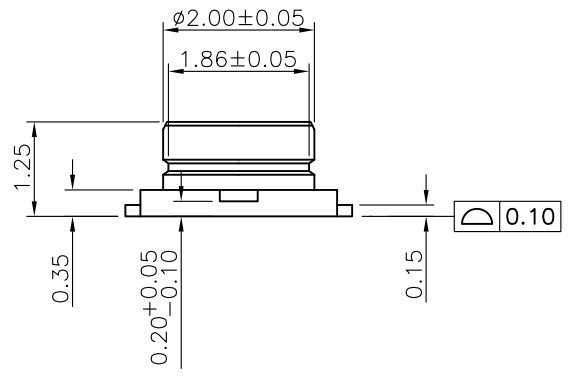
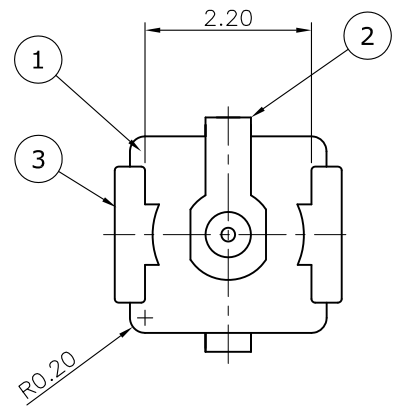
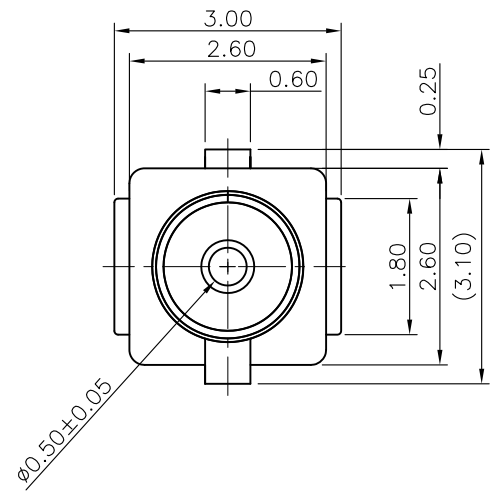


REV.	DESCRIPTION	DRAWN	DATE
1	INITIAL RELEASE	Fros	2019/10/25



RECOMMENDED LAYOUT (TOP VIEW)  
GENERAL TOLERANCE:  $\pm 0.05\text{mm}$

**SPECIFICATION:**

1. ELECTRICAL
  - 1.1 Current Rating: 1A
  - 1.2 Voltage Rating: 60VAC
  - 1.3 Contact Resistance:
    - Inner Contact (Initial): 20m $\Omega$
    - Ground Contact (Initial): 10m $\Omega$
  - 1.4 Insulation Resistance: 500M $\Omega$
  - 1.5 Dielectric Withstanding Voltage: 200VAC for 1 minute
  - 1.6 VSWR:
    - 100MHz to 3GHz: 1.3Max
    - 3GHz to 6GHz: 1.4Max
  - 1.7 Nominal Characteristic Impedance: 50 $\Omega$
  - 1.8 Applicable Frequency: 100MHz to 6GHz
2. MECHANICAL
  - 2.1 Durability: 30 Cycle
3. ENVIRONMENTAL
  - 3.1 Operating temperature range: -40°C~+85°C
  - 3.2 Storage temperature range: -40°C~+85°C
4. SOLDER ABILITY
  - 4.1 Recommended IR Reflow Temperature: 260°C

3	GROUND	Gold flash on contact area, 50u" min. nickel under plating over all			
2	CENTER PIN	Gold flash on contact area, 50u" min. nickel under plating over all			
1	HOUSING	LCP, UL94V-0, Natural			
NO. PART NAME		DESCRIPTION			
UNLESS OTHERWISE SPECIFIED TOLERANCE					
UNIT:	DECIMAL	LINEAR	ANGLES		
	mm	X, ±0.20	±5°		
		X.X ±0.15	±2°		
		X.XX ±0.10	±1°		
DRAWN		Fros	2019/10/25	DRAWN NAME:	
CHECKED		Tim	2019/10/25	Micro Coaxial RF Connector 1.25mm Height 3 PAD	
APPROVED		Ken	2019/10/25	PRODUCT NO.	321A-331251
SCALE	SHEET	SIZE	FILE NAME		
10/1	1/1	A4	321A-331251_B_1		



www.attend.com.tw