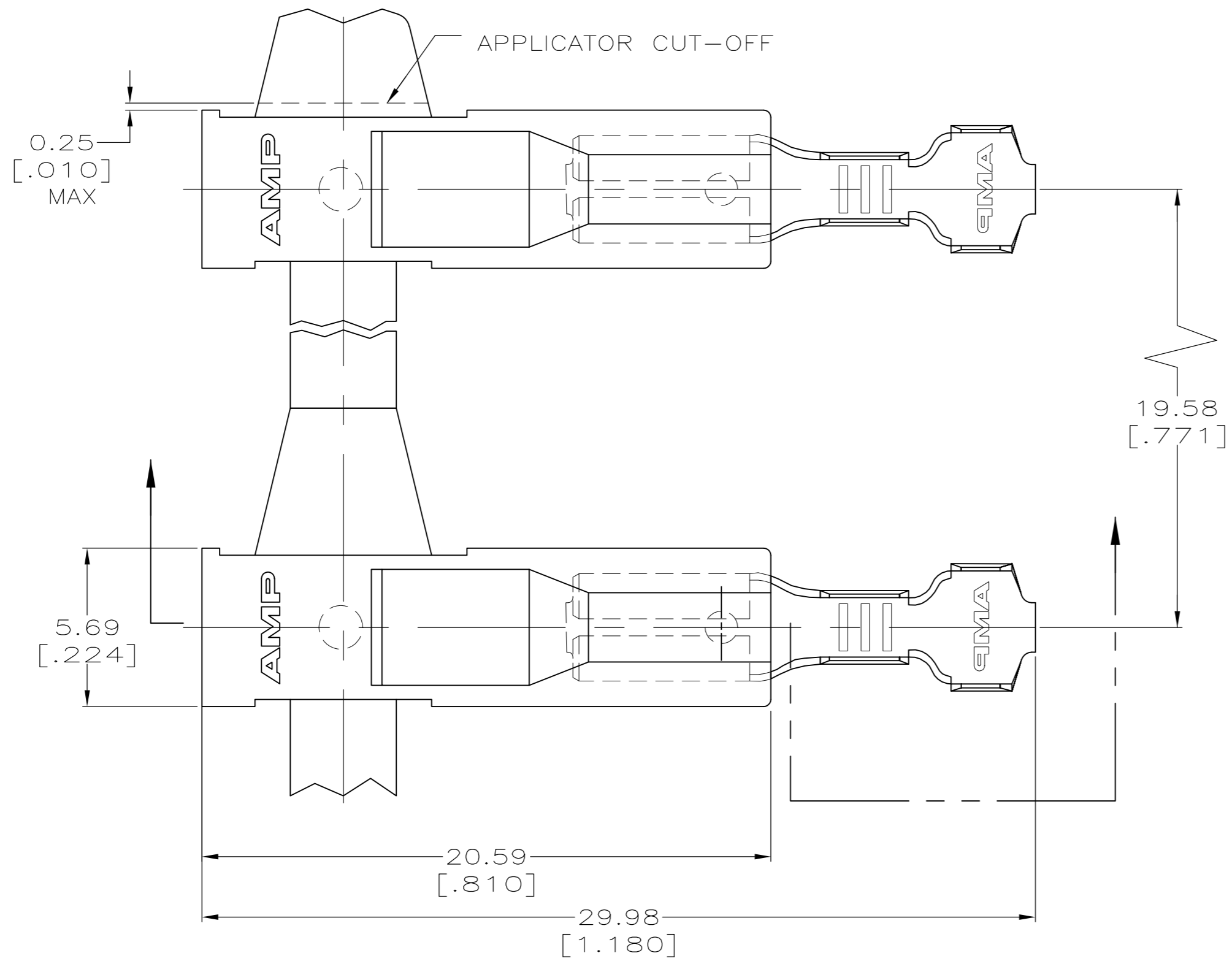
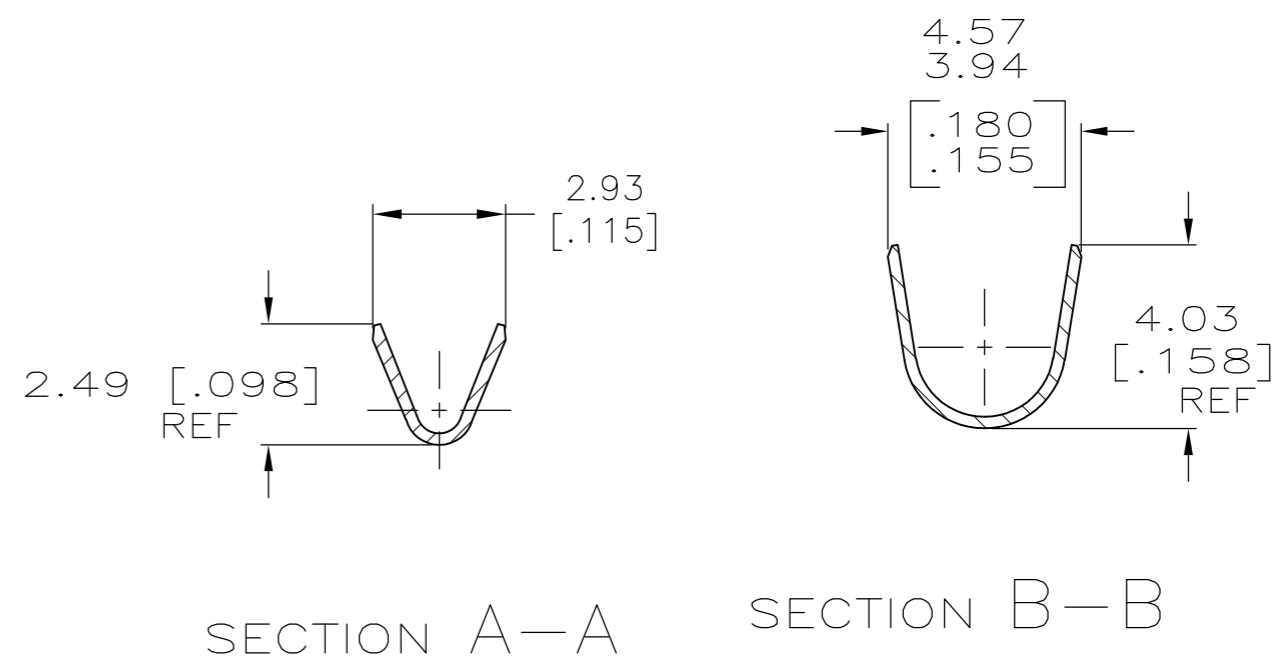
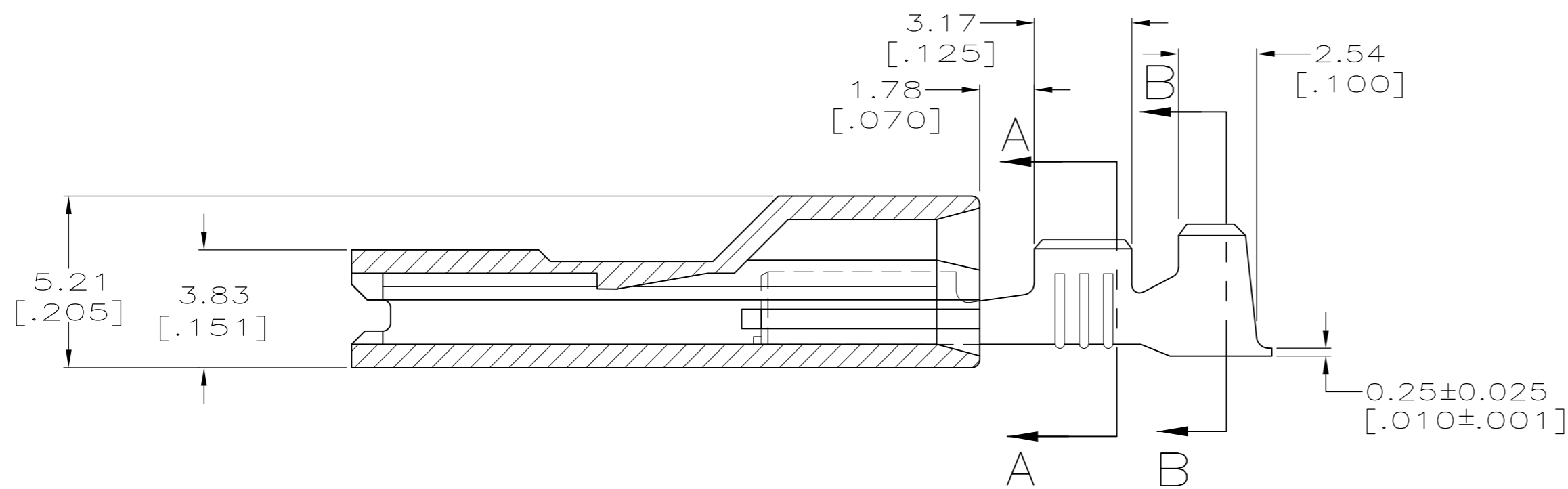


THIS DRAWING IS UNPUBLISHED. RELEASED FOR PUBLICATION  
 © COPYRIGHT - By - ALL RIGHTS RESERVED.

LOC		DIST		REVISIONS			
P	LTR	DESCRIPTION		DATE	DWN	APVD	
AF	50	G		REVISED PER ECR-16-004507	04APR2016	BW	MD



- 1 MATING TAB THK IS 0.51±0.025[.020±.001]
- 2 WIRE SIZE IS [#22-#18] AWG.
- 3 INSULATION RANGE IS 2.03-3.05[.080-.120] DIA.
- △4 MATERIAL - TERMINAL - BRASS  
HOUSING - 6/6 NYLON
- △5 FINISH - TERMINAL - SEE TABLE  
HOUSING - WHITE
- △6 PREPRODUCTION - FASR REQ



THIS DRAWING IS A CONTROLLED DOCUMENT.		DWN	JR RUTH	16MAY01	0.001016 [.000040] MIN TIN		△6 521408-2	
DIMENSIONS: mm [INCHES]		CHK	MS FEHER	16MAY01	TERMINAL FINISH		△5 PART NO.	
TOLERANCES UNLESS OTHERWISE SPECIFIED: 0 PLC ± - 1 PLC ± - 2 PLC ± 0.25 [.010] 3 PLC ± - 4 PLC ± - ANGLES ± -		APVD	J HUMMEL	16MAY01	NAME		TE Connectivity	
MATERIAL △4		FINISH	△5	PRODUCT SPEC		ASSEMBLY, RECEPTACLE, ULTRA-POD, 2.79 [.110] SERIES		
		APPLICATION SPEC		108-1285	SIZE	CAGE CODE	DRAWING NO	RESTRICTED TO
		WEIGHT		114-2124	A2	00779	C=521408	-
		CUSTOMER DRAWING		SCALE		5:1	SHEET	1 of 1
								REV
								G