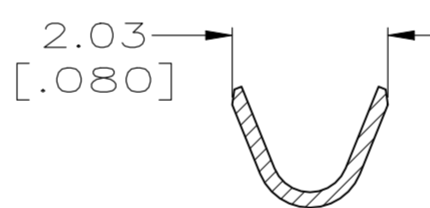
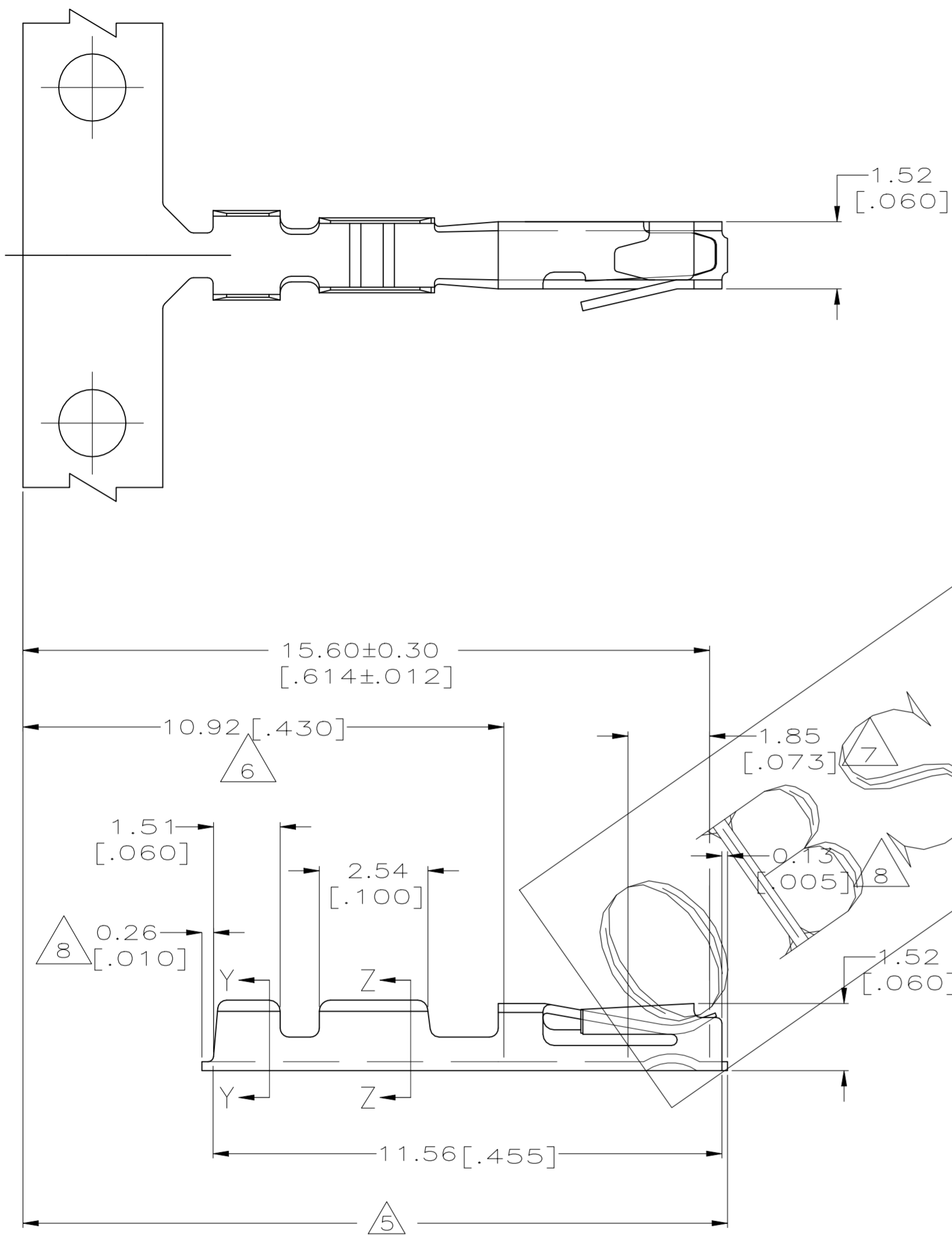
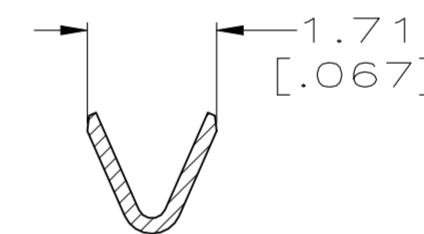


P	LTR	DESCRIPTION	DATE	DWN	APVD
A1		REVISED PER ECN-22-190129	14DEC2022	AB	SZ

1. WIRE RANGE 22-26 AWG.
2. INSULATION RANGE 0.91-1.37 [.036-.054] DIA.
3. PREPLATED 0.00127 [.000050] MIN MATTE TIN IN ZONES I & II, 0.000762 [.000030] MIN GOLD OVER 0.000762 [.000030] MIN NICKEL INLAY IN ZONE III.
4. PHOSPHOR BRONZE.
5. ZONE I (OUTSIDE SURFACES).
6. ZONE II (INSIDE SURFACES).
7. ZONE III (INSIDE SURFACES).
8. MAXIMUM CUTOFF.



SECTION Y-Y



SECTION Z-Z

PROBOLITE

3	5531224-6
FINISH	STRIP PART NO

THIS DRAWING IS A CONTROLLED DOCUMENT.		DWN J. ALCORTA - DOCK5 10MAY05	TE TE Connectivity			
		CHK A. FRANTUM 10MAY05				
		APVD S. FLICKINGER 10MAY05	CONTACT, RECEPTACLE, HIGH PRESSURE, MINI-TANDEM SPRING			
		PRODUCT SPEC 108-25031				
		APPLICATION SPEC 114-25021	SIZE A2	CAGE CODE 00779	DRAWING NO C=5531224	RESTRICTED TO -
MATERIAL 4		FINISH 3	WEIGHT 0.000000	SCALE 4:1	SHEET 1 of 1	REV A1
		CUSTOMER DRAWING				