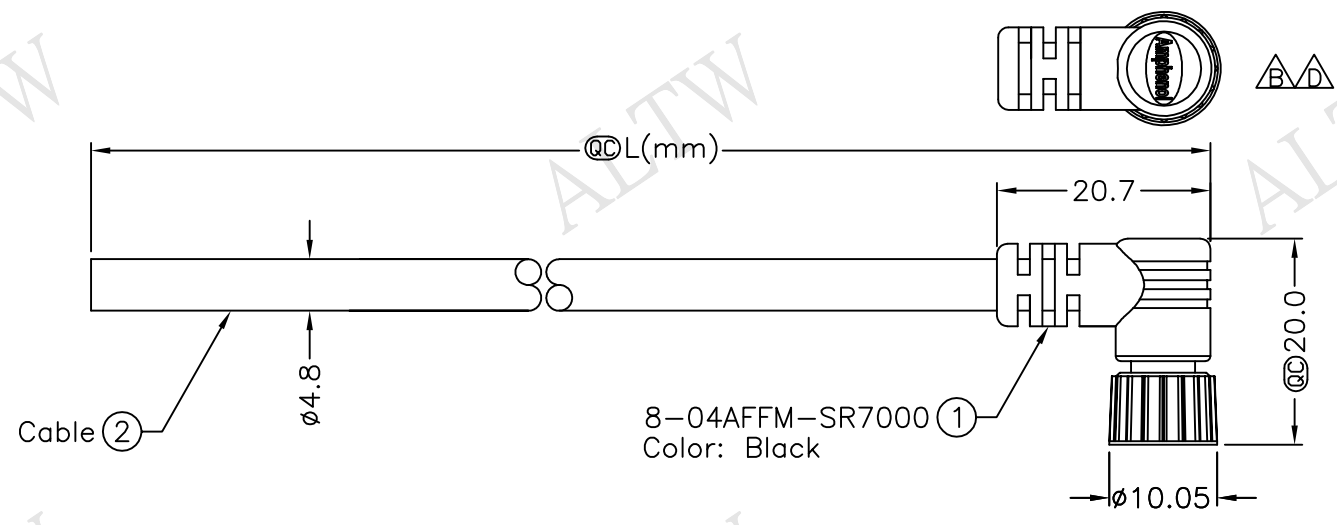
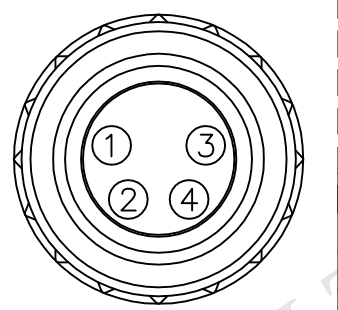


REV.	ECN NO.	DATE	SIGN	DESCRIPTION
B	LEN-780076	2007/06/06	Kenneth	Add Projection. Apply New Format. Modify Pin-Out
C	LEN-920239~242	2009/02/06	Vicky	Update the drawing
D	LEN1630162~165	2016/03/07	Vicky	Update Logo



8-04AFFM-SR7BXX
 XX:01~99Meters
 01:01Meter
 02:02Meters
 :
 :
 99:99Meters
 Cable Length(L):01~99Meters

- Note:
- * @C Important Dimension
 - * Waterproof Rate: IP67
 - * Connector: PU, Black
 - * Female Pin: Copper Alloy, Gold Plated
 - * Cable: 22AWG*4C+Insulation, Black, PU, OD=4.8mm
 - * Cable Length Tolerance:
 - 01M:±40mm
 - 02M~05M:±60mm
 - 06M~10M:±100mm
 - 11M~30M:±200mm
 - 31M~99M:±500mm



Pin Assignments
Front View

4	Black	黑	△
3	Blue	藍	△
2	White	白	△
1	Brown	棕	
Conn.	Wire Color		
	Pin Out		

UNIT:mm		TITLE		M8 Conn	ITEM NO	DRAWN BY	DATE
TOLERANCE				Cable Screw 4P F Conn F Pin		Vicky	2016/03/07
±0.5 mm		SCALE	Free	SHEET 1 OF 1	DWG NO	CHECKED BY	DATE
		REV.	D	SIZE A4	8-04AFFM-SR7BXX	Rita	2016/03/07
				@C :Inspection Item	CUSTOMER	APPROVED BY	DATE
					ALTW	Lisa	2016/03/07

Amphenol LTW
 安費諾亮泰企業股份有限公司

THIS DOCUMENT IS SUBJECT TO CHANGE WITHOUT NOTICE. IT IS CONFIDENTIAL AND A PROPERTY OF AMPHENOL LTW. DISCLOSURE TO THIRD PARTY HAS TO BE AUTHORIZED BY AMPHENOL LTW.