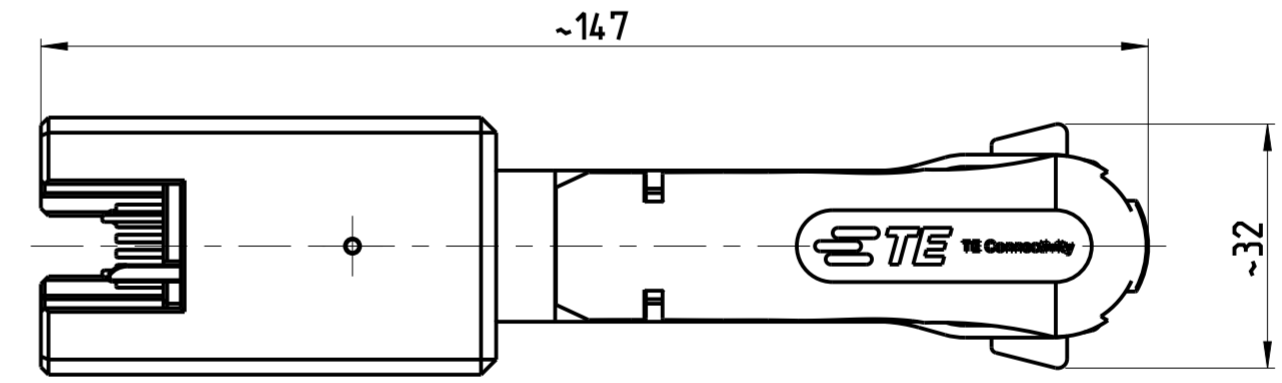
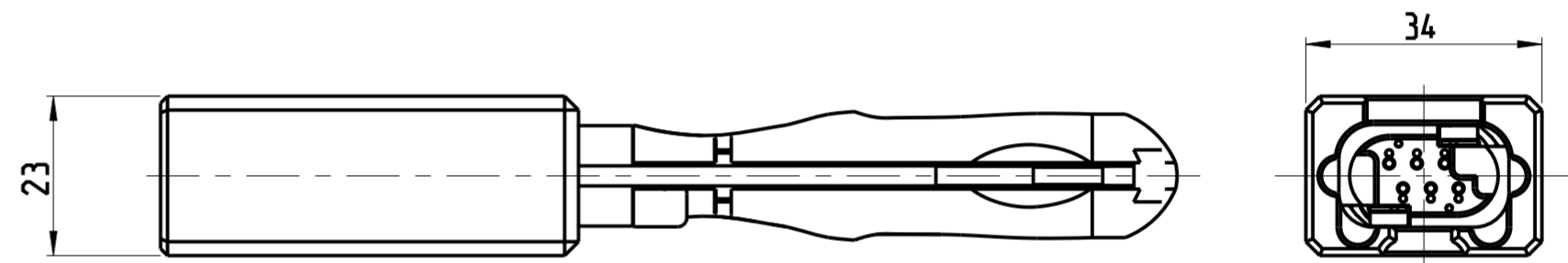
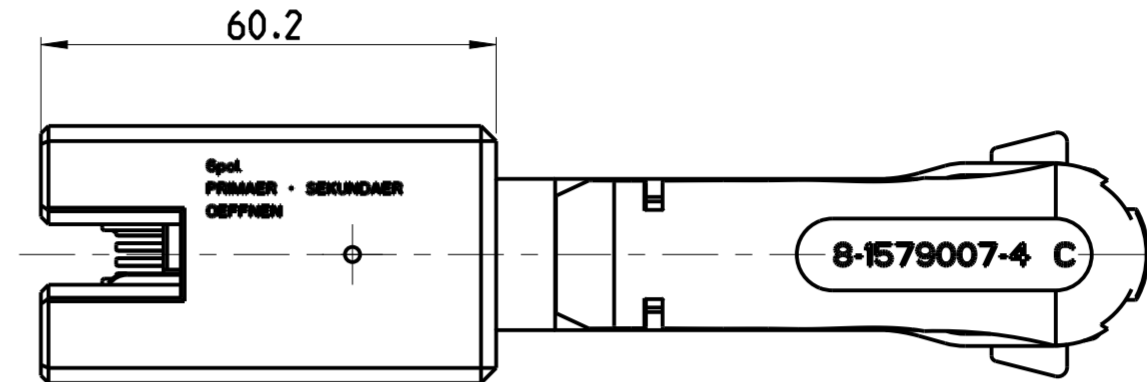
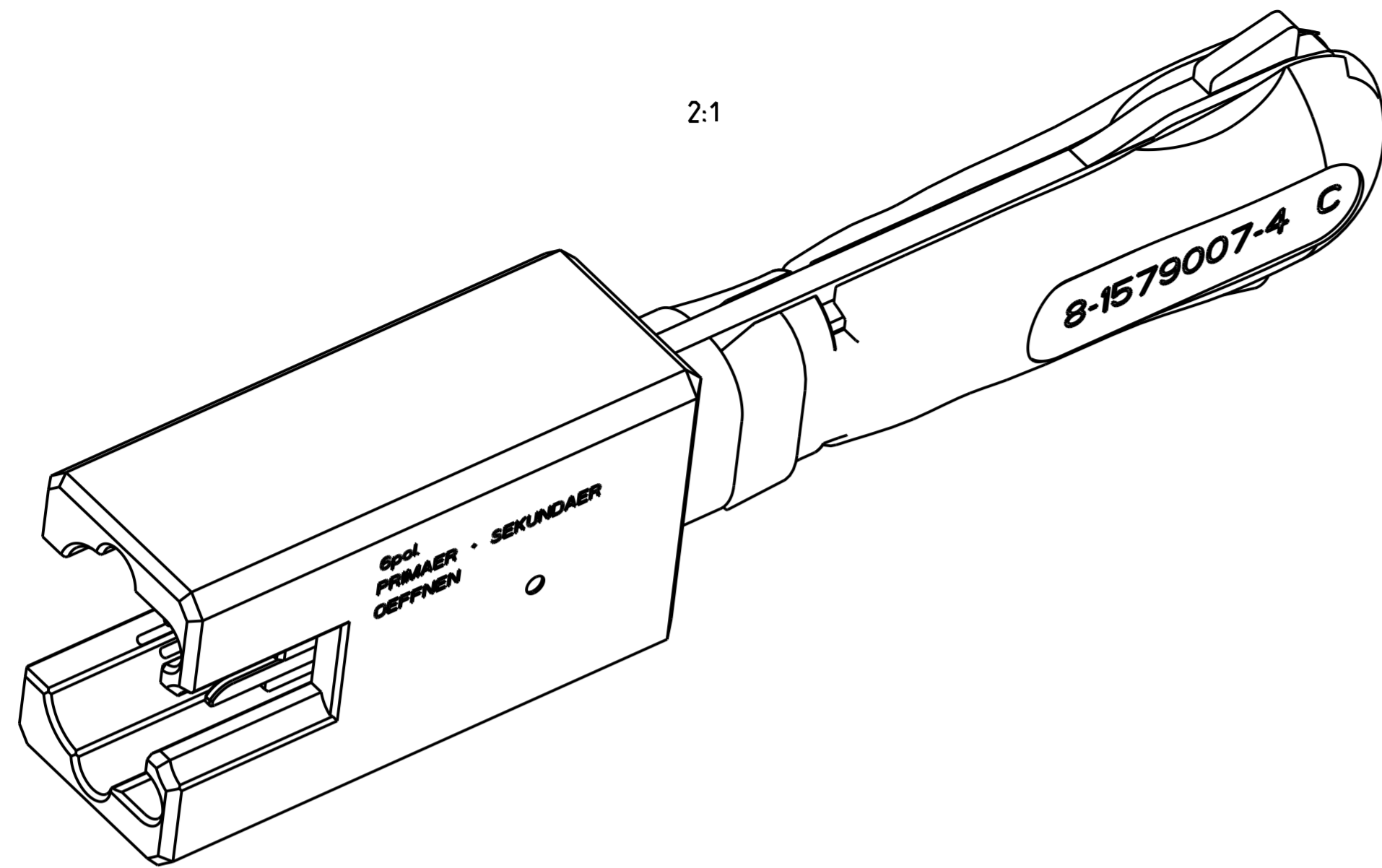

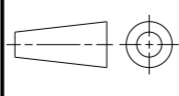


© 2021 TE Connectivity. All Rights Reserved.

REVISIONS					
P	LTR	DESCRIPTION	DATE	DWH	APVD
C		ECR-12-019183	07NOV2012	LS	GS
C1		ECR-21-001695	19FEB2021	PNT	GS



APPLICATION RANGE / Anwendungsbereich:
 FOR MQS HOUSING 6Pos. : 967361 AD 967587

THIS DRAWING IS A CONTROLLED DOCUMENT.		DWH S. Samstag 13MAY2008	 TE Connectivity	
DIMENSIONS: mm		CHK S. Samstag 13MAY2008		
		APVD S. Samstag 13MAY2008		
TOLERANCES UNLESS OTHERWISE SPECIFIED:		PRODUCT SPEC	NAME EXTRACTION TOOL	
0 PLC ±		APPLICATION SPEC	Entriegelungswerkzeug	
1 PLC ±		WEIGHT 0.16kg	SIZE A2	RESTRICTED TO
2 PLC ±		CUSTOMER DRAWING	CAGE CODE 00779	DRAWING NO C-8-1579007-4
3 PLC ±		SCALE 1:1	SHEET 1 OF 1	REV C1
4 PLC ±				
ANGLES ±				
FINISH				