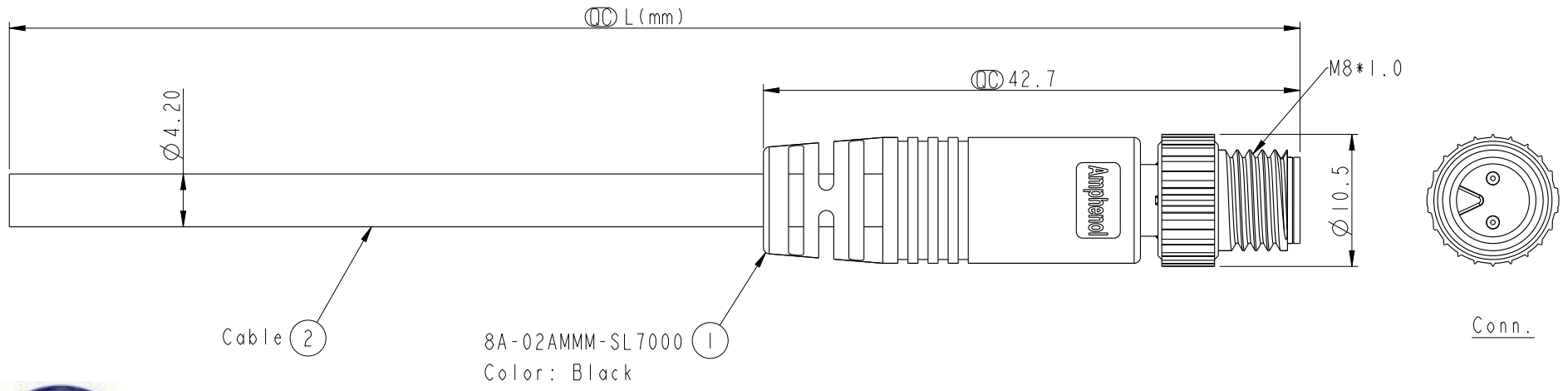


THIS DOCUMENT IS SUBJECT TO CHANGE WITHOUT NOTICE. IT IS CONFIDENTIAL AND A PROPERTY OF Amphenol LTW. DISCLOSURE TO THIRD PARTY HAS TO BE AUTHORIZED BY Amphenol LTW.

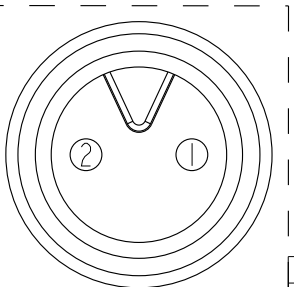
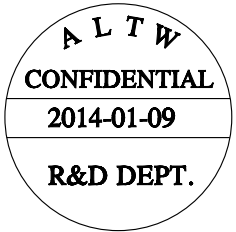
REV.	ECN NO.	DATE	SIGN	DESCRIPTION



Cable ②  
 8A-02AMMM-SL7000 ①  
 Color: Black

8A-02AMMM-SL7AXX  
 XX: 01~99Meters  
 01: 01Meter  
 02: 02Meter  
 ...  
 99: 99Meters  
 Cable Length(L): 01~99Meters

- Note:
- \* Ⓞ Important Dimension.
  - \* Waterproof Rate: IP67.
  - \* Connector: PU, Black.
  - \* Male Pin: Copper Alloy, Gold Plated.
  - \* Screw Nut: Zinc Alloy, Nickel Plated.
  - \* Cable: UL2464 22AWG\*2C+Talcum, PVC Jacket, UV Resistant, OD=4.2, Black.
  - \* Cable Length Tolerance:
    - 01M: ±40mm
    - 02~05M: ±60mm
    - 06~10M: ±100mm
    - 11~30M: ±200mm
    - 31~99M: ±500mm



Pin Assignments  
Front View

Pin	Wire Color
2	Red 紅
1	Black 黑

Conn. Wire Color Pin Out

UNIT:mm  
 TOLERANCE  
 ±0.5 mm

TITLE M8 2Pin Cable M Conn. M Pin			
SCALE 2:1	SIZE A4	SHEET 1 OF 1	
REV. A	WC-REV. A.6	Ⓞ: Inspection item	

**Amphenol LTW**  
 安費諾亮泰企業股份有限公司

ITEM NO	DRAWN BY Mila	DATE 2014-01-09
DWG NO 8A-02AMMM-SL7AXX	CHECKED BY Jimmy	DATE 2014-01-09
CUSTOMER ALTW	APPROVED BY Jerry	DATE 2014-01-09