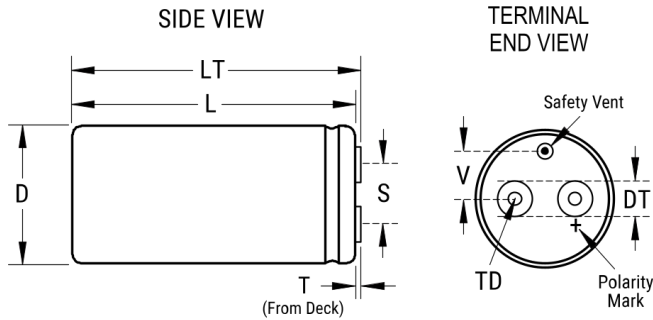


ALS30M472NF350

Aliases (A331TM472M350M)

Obsolete

ALS30, Aluminum Electrolytic, 4,700 uF, 20%, 350 VDC, -40/+85°C



General Information	
Series	ALS30
Dielectric	Aluminum Electrolytic
Description	Screw Terminal, Aluminum Electrolytic
RoHS	Yes
AEC-Q200	No
Component Weight	690 g
Notes	Dimensions D And L Include Sleevings. Dimension LT Available On Request. MS (MxH) = M12x16. Mounting Clamp (Sold Separately): V11
Shelf Life	156 Weeks

Specifications	
Capacitance	4,700 uF
Capacitance Tolerance	20%
Voltage DC	350 VDC
Temperature Range	-40/+85°C
Rated Temperature	85°C
Life	20000 Hrs (Rated Voltage And Ripple Current At 85C), 40000 Hrs (Rated Voltage At 85C)
Resistance	35 mOhms (100Hz 20C), 27 mOhms (10kHz 20C)
Ripple Current	14.7 Amps (100Hz 85C), 21.7 Amps (10kHz 85C)
Leakage Current	6000 uA (5min 20°C)

Dimensions	
D	77mm +/-1mm
L	105mm +/-2mm
T	7.14mm +/-0.5mm
S	31.8mm +/-0.5mm
DT	8mm +/-0.5mm
LT	110.5mm +/-1mm
TD	10mm MIN
V	19mm NOM

Packaging Specifications	
Sleevings	Yes
Packaging	Bulk, Box

Statements of suitability for certain applications are based on our knowledge of typical operating conditions for such applications, but are not intended to constitute - and we specifically disclaim - any warranty concerning suitability for a specific customer application or use. This information is intended for use only by customers who have the requisite experience and capability to determine the correct products for their application. Any technical advice inferred from this information or otherwise provided by us with reference to the use of our products is given gratis, and we assume no obligation or liability for the advice given or results obtained.